



2005 – 2015 Toyota Tacoma Platform Roof Rack – Double Cab

P/N 4860

Kit Contents:

Item	Qty	Item	Qty
3/8" x 1" Hex Bolt	8	Platform Rack	1
3/8" USS Flat Washer	16	6mm x 20mm Bolt	8
3/8" Nyloc Nut	8	1/4" Lock Washer (use w/ 6 MM)	8
Mounting Bracket	2	1/4" USS Flat Washer (use w/ 6 MM)	8

Installation Instructions:

1. If you have a factory roof rack, remove it to reveal the factory roof rack mounting points.
2. If you do not have a factory roof rack, remove ditch moldings by using a tape-wrapped flathead screwdriver or some other soft, flat edge. See **Figure 1**. This will reveal 10 well nuts (5 driver's side & 5 passenger's side). NOTE: Save this ditch molding as you will be reusing it in step 8 of these instructions.
3. Remove protective tape from the 2 front-most well nuts and 2 rear-most well nuts. Do this on both the driver's side and the passenger's side.
4. Use some RTV silicone sealant around each of the well nuts, to prevent rusting and water leaks.
5. Locate your mounting brackets. These will have tabs and a lip facing inwards with a stamped "WP" towards the rear of the vehicle.
6. Starting with the driver's side, position the mounting bracket and loosely attach to the 4 well nuts using the 6mm x 20mm bolts, 1/4" Lock Washers, and 1/4" USS Flat Washers.
7. Tighten bolts (torque is approx. 8 ft-lbs). Repeat step 6 for the passenger side.
8. Cut two gaps in each piece of ditch molding to account for the platform roof rack mounting legs. Replace ditch molding around mounting legs.
9. Place the platform on mounts with the angled platform tube facing forward. It helps to have a spare set of hands for this step.
10. Loosely start [4] 3/8" x 1" bolts, [8] washers, and [4] Nyloc Nuts. The bolts should be placed in through the center row of slots (Front-to-Rear), and in the two inner-most slots (Side-to-Side). See **Figure 2**.
11. Repeat step 10 for opposite side.
12. Visually align platform and tighten all hardware.
13. Installation Complete.

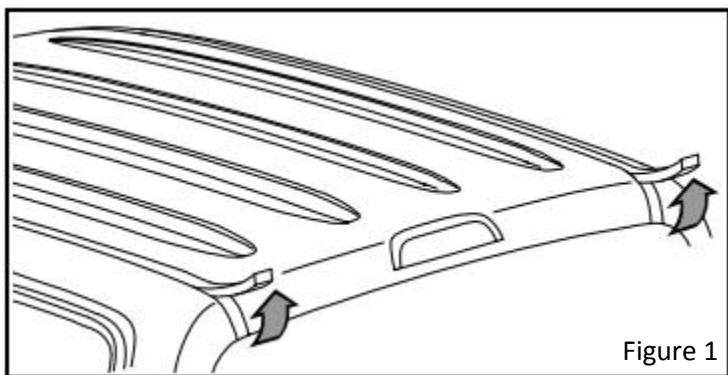


Figure 1

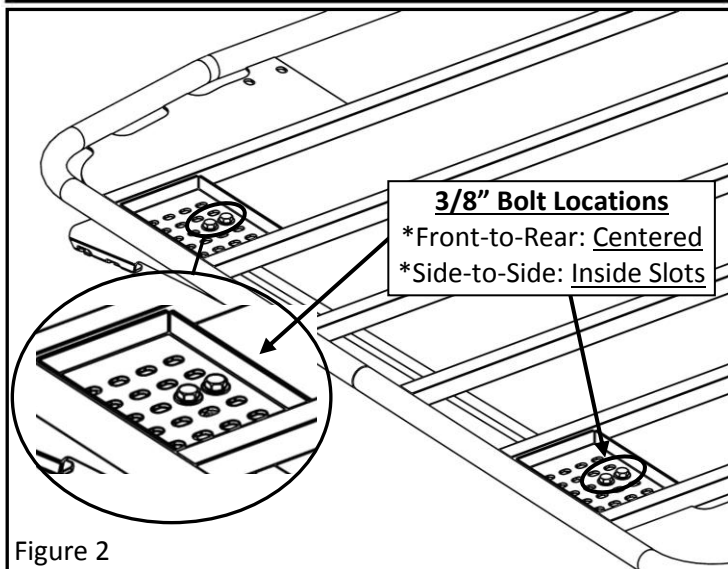


Figure 2

QUALITY



INTEGRITY



INNOVATION



SERVICE

Learn more about roof racks and cargo carriers we have.