

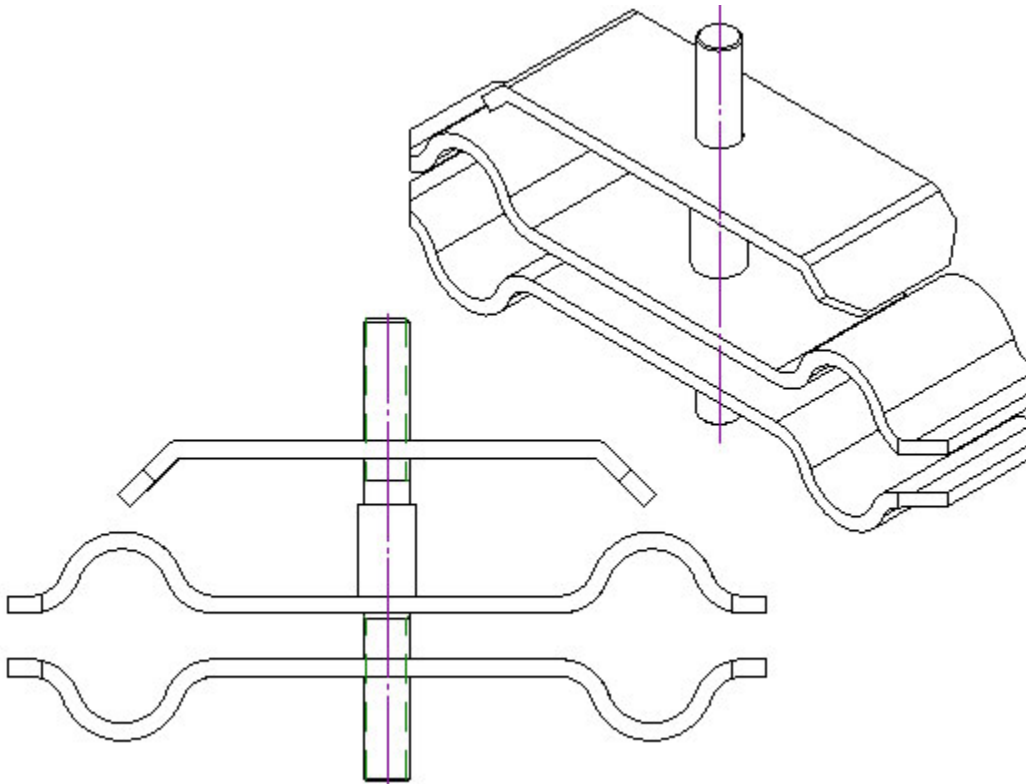


Protecting Your Adventure Lifestyle

SUBJECT: Part #3841 FJ Cruiser Shovel & Axe Mount Install Instructions

NOTE: Please read all instructions before starting installation.

1. Begin by unpacking your kit. Be sure that you have two main plates with a stud attached, two outer plates which will be very similar to your main plate only without a stud, and two smaller inner plates.
2. Begin by deciding how far apart you want your mounts to be considering the handle length on your axe and shovel, and pick your locations for the main plates.
3. Sandwich your outer and inner plates around the tubes of the FJ rack with the stud in the middle of them. Clamp into place with supplied washer and nut.
4. Be sure you have both sets of plates where you want them to be located and tighten the nuts to secure them into place permanently.
5. Use the top and bottom indents on the bracket to line up the axe and shovel.
6. Use the outer plate and supplied wing nuts to clamp the shovel and axe into place.



QUALITY



INTEGRITY



INNOVATION



SERVICE