

REAR MOD BUMPER LICENSE PLATE MOUNT

P/N 1555

KIT CONTENTS:

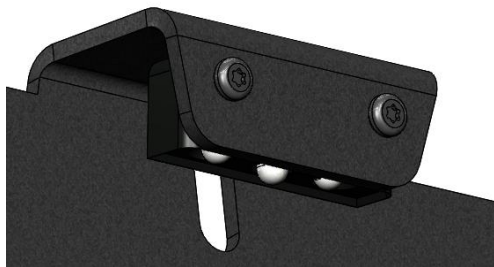
<u>Item</u>	<u>Qty</u>	<u>Item</u>	<u>Qty</u>
License Plate Mount	1	¼ x 1" Button Head Screw	6
LED license plate light	1	¼" Flat washer	12
Rubber edge trim	6 inches	¼" Nyloc nut	6
#6 x ½" black Torx screw	2		

IMPORTANT INSTALLATION NOTES:

- This Warrior Products license plate mount is designed specifically for use with Warrior rear MOD bumpers for the Jeep JL/JLU application where the factory license plate location is on the rear bumper.
- Some or all of the initial assembly steps may have already been completed, in which case you may skip that step.

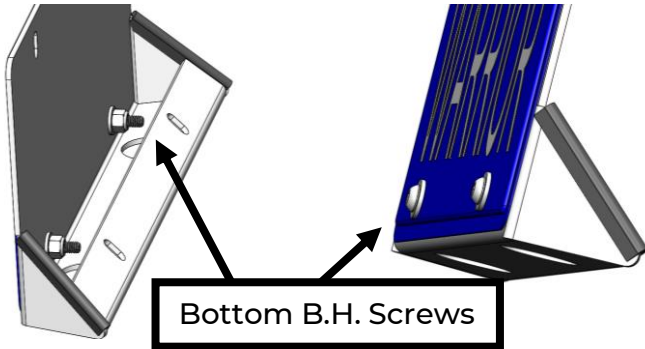
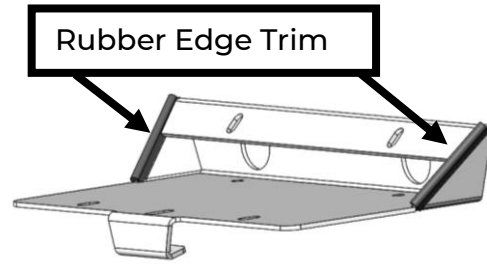


1. Begin by passing the wires of the light through the top-middle slot of the bracket.
2. Position the light against the mounting tab as shown with the wires facing away from the tab (the curved edges of the light will be against the tab, and the sharp edges will be away from the tab).



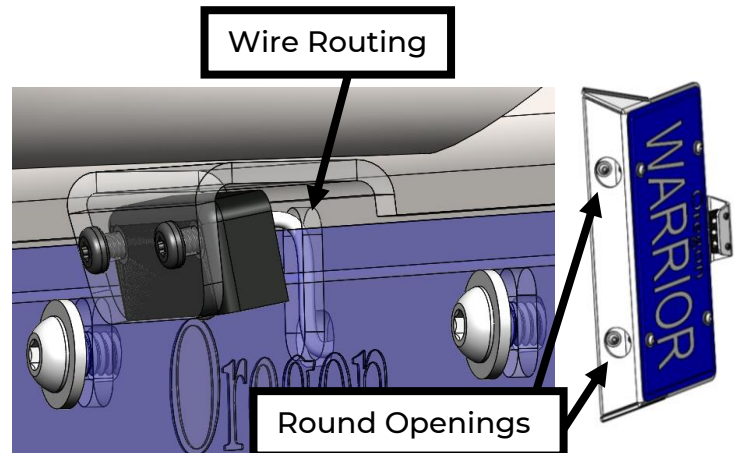
3. Align the holes of the light with the corresponding holes in the tab.
4. Attach the LED light by inserting the two #6 black Torx screws through the holes in the mounting tab and into the plastic housing of the LED light.
5. Tighten the screws with a T15 Torx driver until snug (overtightening may cause damage).

6. Place Rubber edge trim on the two edges of the bottom angled contact surface as shown. You must cut the supplied rubber edge trim to size using a pair of diagonal cutters, or scissors.
7. Cut the rubber edge trim at an angle for a better appearance if you wish.
8. Discard the excess rubber edge trim.



9. Before attaching the license plate and mount to the bumper, first install just the BOTTOM Button Head screws with washers and Nyloc nuts to attach the license plate to the mount (it is easier to attach before bumper installation).
10. Make sure to put your license plate frame on at this time as well if you are using one.

11. Choose a side of the bumper to mount the license plate (note that you may have to extend the power wires for the light if placing it on the passenger side). While placing the mount, thread the light wires through the top middle slot in the bumper and take care not to pinch them.
12. Place the top two and bottom two Button Head screws through the mount and corresponding bumper slots (insert the bottom screws through round openings).



13. Visually align the license plate mount and tighten the bottom two screws first while holding the mount flat against the bumper face. After the bottom screws are tight, tighten the top two screws. (Remember to make sure the wires are not pinched between the license plate, mount, or bumper.)
14. Cut the socket pigtail off the end of your OEM license plate light wire. Splice the pigtail wires to the LED wires coming through the back side of your bumper. The white wire of the LED light is positive (+). The LED light is polarity sensitive and will not work if connected backward (however this will not damage the light). Verify that your light works with the headlight switch turned on before finalizing your spliced connections. If the LED light does not work, try switching the two wires.
15. Installation is now complete. Enjoy your new Warrior Products license plate mount!