

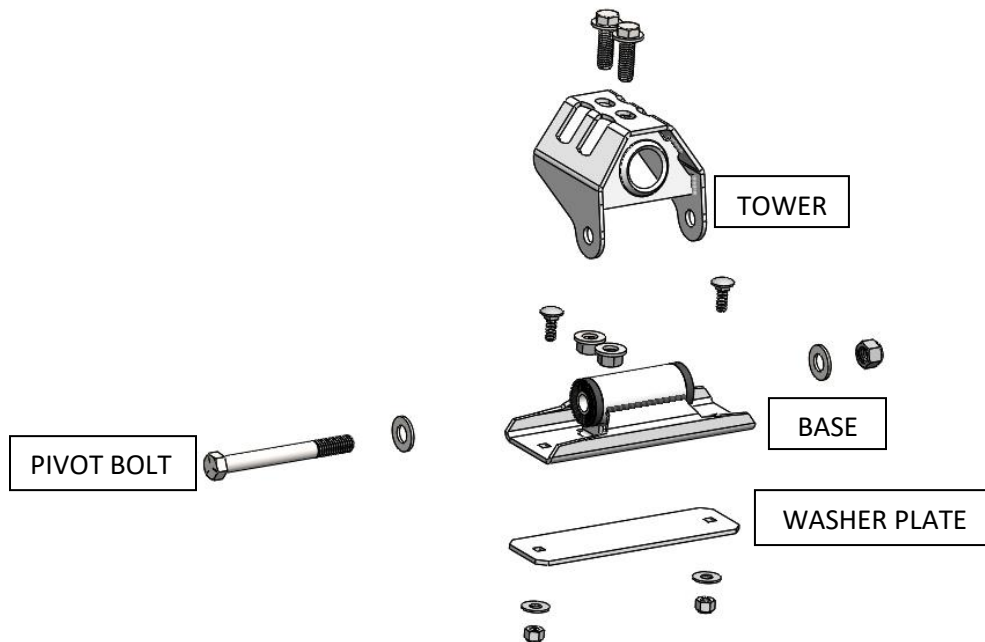


Universal Platform Mounts & Rack System

Installation Instructions

Kit Contents:

<u>Item</u>	<u>Qty</u>	<u>Item</u>	<u>Qty</u>
Universal Platform Mount Tower	2	7/16" Nyloc Nut	2
Universal Platform Mount Base	2	1/4" x 3/4" Carriage Bolt	4
Washer Plate	2	1/4" Flatwasher	4
Pivot Bushing	4	1/4" Nyloc Nut	4
Pivot Bushing Sleeve	2	3/8" x 1" Hex Bolt	4
7/16" x 4" Hex Bolt	2	3/8" SAE Flat Washer	8
7/16" Flatwasher	4	3/8" Nyloc Nut	4

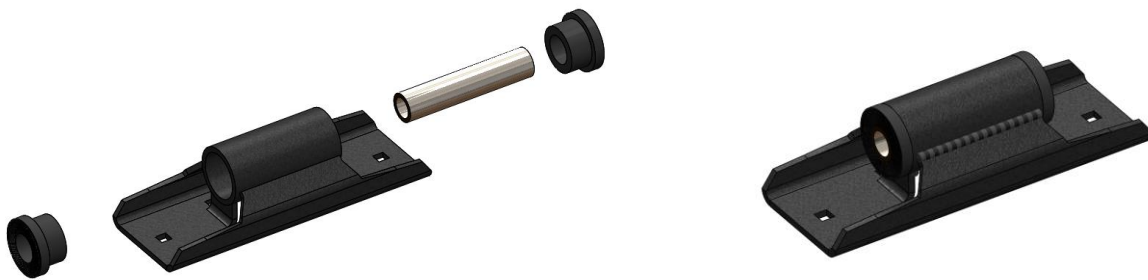


Installation Instructions:

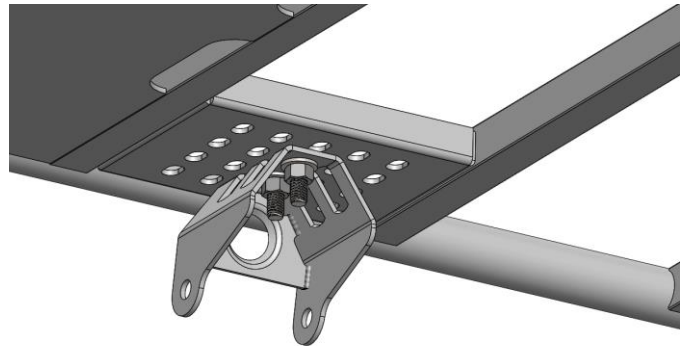
1. Please note that due to the universal nature of this product it is not given a weight rating. Use common sense when loading the rack and do not overload. If installing this product on a thin roof that is not reinforced in any manner, you may want to consider adding some larger plates between the Universal Platform Mount Base and the roof to help spread the load. Additionally, a rubber gasket type of material may be beneficial to protect painted surfaces and help to seal the holes from leaks (See Warrior Products – Part Number: #10171). At a minimum, Silicone sealant should be used at the bolt holes at the time of installation to prevent both water leakage and rust formation.
2. Thanks to the design of the platform rack mounting provisions, and the Universal Platform Mount design, the mounting positions can be positioned to best suit your mounting needs. The mounts may be spaced within a range of 28" to 36" front-to-back (Centerline to Centerline). The side-to-side base mounting hole spread can range from 45" to 49".



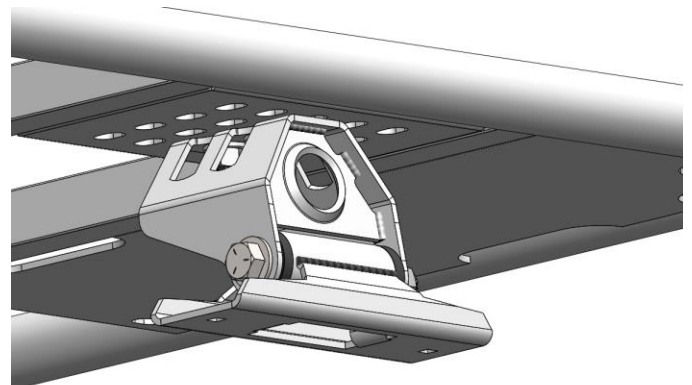
3. Begin by assembling your Universal Platform Mount Bases. Insert two Bushings and a Bushing Sleeve into each Base tube as shown. The bushings may be tight. The use of a mallet to tap them in, or a vice or C-Clamp to squeeze them into place may be helpful. Just be careful that the bushings and sleeves are all parallel while assembling to prevent damage to the bushings (do not force anything together if any components are misaligned). After assembling the bushings and sleeve into each Base tube, center the bushing sleeve so that it is centered in the bushings and Mount Base.



4. Next, determine where you would like to mount the Universal Platform Mount Towers and bolt them to the underside of the Rack mounting bucket using two (2) 3/8" hex bolts, four (4) 3/8" washers, and two (2) 3/8" Nyloc nuts per Tower. Snug the nuts down until there is just a small amount of play, but do not fully tighten at this time. You will fine tune the position of all components before marking and drilling the roof. If you are unsure of where to mount the Towers for your application, a good starting point is to mount them centered in the mounting bucket as shown. You may decide to change the position of the towers after you set the rack on the roof if you decide you prefer a different placement.



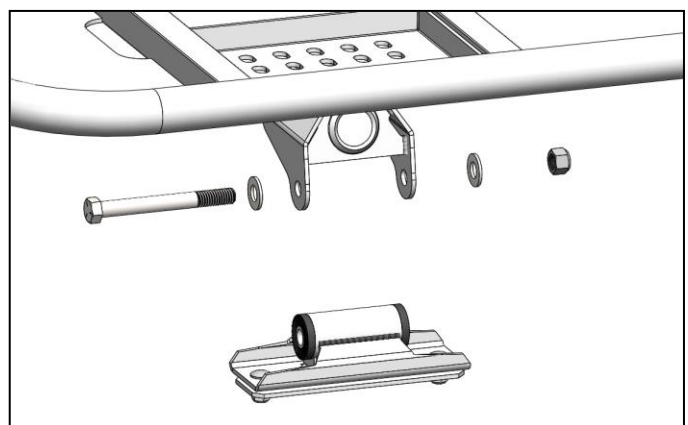
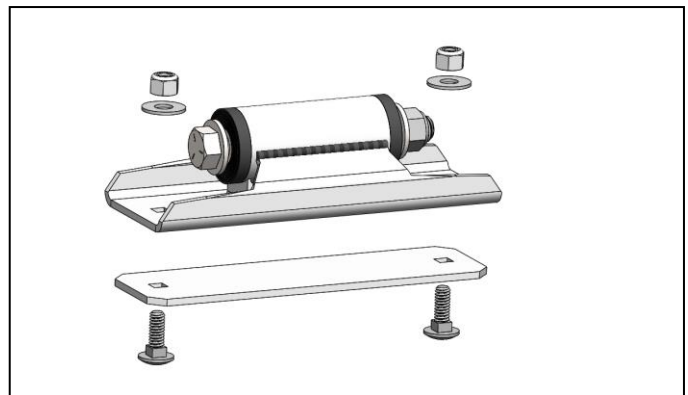
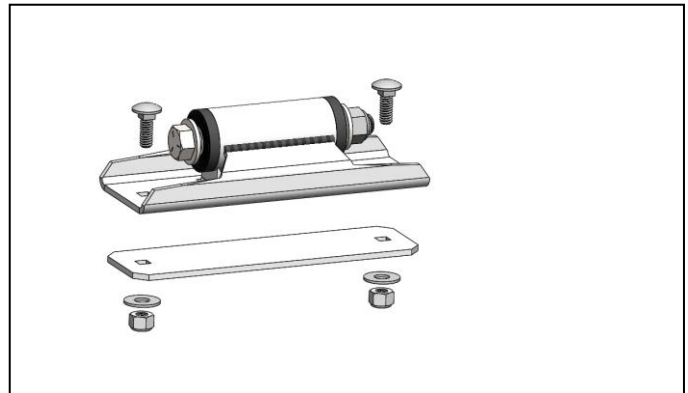
5. Now attach the bases to the towers by placing a washer over the 7/16" x 4" hex bolt, then insert the bolt through one lower ear of the tower, through the bushing sleeve in the base, and finally through the second lower ear of the tower. Place a washer over the end of the bolt and a 7/16" Nyloc nut. You do not need to fully tighten the nut at this time.
6. The next step is to determine the placement of the rack and mark the location of the mounting holes to be drilled. To protect the finish of the roof and provide a good marking surface, we suggest that you cover the





roof with Masking tape, Duct tape, or similar in the areas where the mounts will sit.

7. Find a friend to help you carefully lift and place the rack and mount assembly onto the roof (carefully setting the Bases or “feet” on the tape sections from the previous step). (**NOTE:** positioning the mount bases close to any molded “ribs” that may be present will usually provide a stronger mount.) If you are happy with the general position of the rack and mounts, then skip the next step and proceed to Step 9. If you would like to adjust the position of the mounts on the rack continue to step 8.
8. If you determine that you would prefer to shift the towers to a different mounting position, do so at this time. Otherwise proceed to the next step. Take note of where you would like the new position to be (making sure that you can still use two bolts to attach each Mount Tower to the rack. Remove the rack from the roof and relocate the Towers as desired (again leaving the hardware slightly loose for fine tuning). After the towers have been re-positioned as desired, make sure that the protective tape on the roof is still adequate to set the tower bases on. Apply additional tape if needed. Again, with a friends help carefully place the rack and mount assembly into position as desired.
9. Carefully measure to center the rack as desired and with all the bolts somewhat loose, position the mounts so that the bases are parallel to each other and also parallel to the centerline of the vehicle from front-to-rear.
10. Once the rack and mounts are positioned to your satisfaction, mark on the taped roof the two holes per Mount Base (being careful to not move the position of the rack). These marks are where you will drill to attach the Mount Bases to the roof.
11. After you have marked all of the Mounting Base holes, perform one final check that the rack has not shifted and that all of the marks still line up with all of the Mounting Base holes.
12. When you are confident with your location marks, carefully remove the rack and mount assembly.
13. Drill through the roof at all of your mounting holes marks with a 1/4” drill bit (two holes per Mounting Base). Depending on the material that you are drilling through, you may choose to start with a smaller pilot hole. In any case, use caution and do not force the drill bit through. If drilling through fiberglass, it may be helpful to have a friend hold a large piece of wood (like a piece of 4x4 lumber) on the back side of the hole to prevent the hole from “blowing out”. Just make sure that the friend is completely clear of where the drill bit will be coming through the roof!!!





14. After drilling the holes in the roof, remove the Mount Bases from the rack and mount assembly. Attach the Mount Bases to the roof using the holes drilled in the previous step and the 1/4" x 3/4" carriage bolts. You may choose to install a rubber type gasket, or load spreading plate at this time if desired. We suggest that at a minimum, you should use some silicon sealant at each of the drilled hole locations before installing the Bases to seal potential water leaks. We have provided a Washer Plate to place on the inside of the roof to provide a larger bearing surface to help relieve stresses on the roof. Please note that you can choose to have the carriage bolt head up on top of the roof with the threads going down through the roof, or the opposite configuration with the carriage bolt head inside on the ceiling and the threads going up through the roof with the nuts on top. You may choose your hardware orientation based on visual or practical preference. Only lightly snug the nuts down at this time, **DO NOT FULLY TIGHTEN!**
15. After all Mounting Bases have been positioned carefully place the rack and Mount Towers over the Mount Bases (again, with all hardware slightly loose). Use the 7/16" x 4" Hex bolts, washers and nuts to attach the Mount Towers to the Mount Bases at the pivot.
16. Align all components based on symmetry, measurements, angular alignment, and visual appeal. When satisfied tighten all hardware being careful not to shift any of the components (i.e. Mount Base to roof hardware, Mount Tower to rack hardware, and Pivot Bolts at bushings.)
17. The rack may be taken off the vehicle at any time by simply removing the 7/16" Pivot Bolts. If driving the vehicle with the rack removed and only the Mount Bases installed, it is best to re-install the 7/16" Pivot Bolts, washers, and nuts through the bushings and sleeves to keep the components in place and sealed from water intrusion. To reinstall the rack, simply remove the 7/16" Pivot Bolts from the Mount Bases, place the Mount Tower over the Mount Bases and secure the two together again with the 7/16" Pivot Bolts.