



Protecting Your Adventure Lifestyle

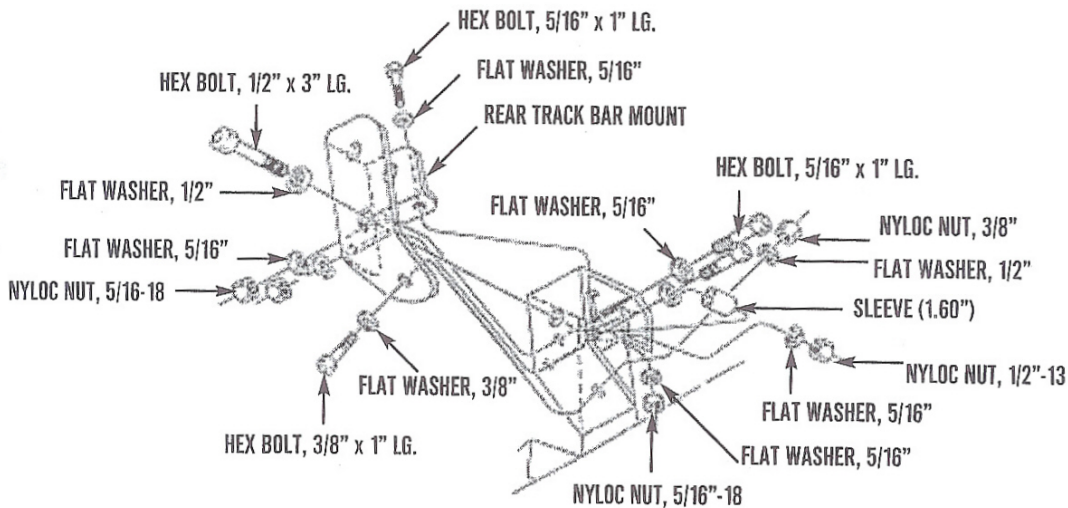
## 800005

# REAR TRAC ARM BRACKET –JEEP YJ

## INSTALLATION INSTRUCTIONS

**Please read instructions before beginning installation.** Check the kit hardware against the parts list. Be sure you have all needed parts and know where they go.

1. Referring to the illustration shown below, install the rear track arm bracket as shown using the hardware provided.
2. Remove the rear track arm and save the hardware.
3. Slip the bracket over the original mounting bracket and attach with   " x 2   " bolt provided.
4. Re-install the factory Track Rod Bracket with original hardware and torque the existing track bar bracket bolt to 74 ft./lbs.



### MAINTENANCE INFORMATION

It is the ultimate buyers responsibility to have all bolts/nuts checked for tightness after the first 100 miles. After that, check them every 1000 miles. Wheel alignment steering system, suspension and drive line systems must be inspected by a qualified professional mechanic at least every 3000 miles.

### PARTS LIST

**QUALITY    •    INTEGRITY    •    INNOVATION    •    SERVICE**



Protecting Your Adventure Lifestyle

<b>1/2" X 2" HEX BOLT (1)</b>	<b>1/2" LOCKNUT (1)</b>	<b>1/2" FLATWASHER (1)</b>
<b>3/8" X 1 1/4" HEX BOLT (1)</b>	<b>3/8" LOCKNUT (1)</b>	<b>3/8" FLATWASHER (1)</b>
YJ REAR TRAC BAR BRACKET (1) 700025		

**QUALITY • INTEGRITY • INNOVATION • SERVICE**

Learn more about performance suspension parts we have.