

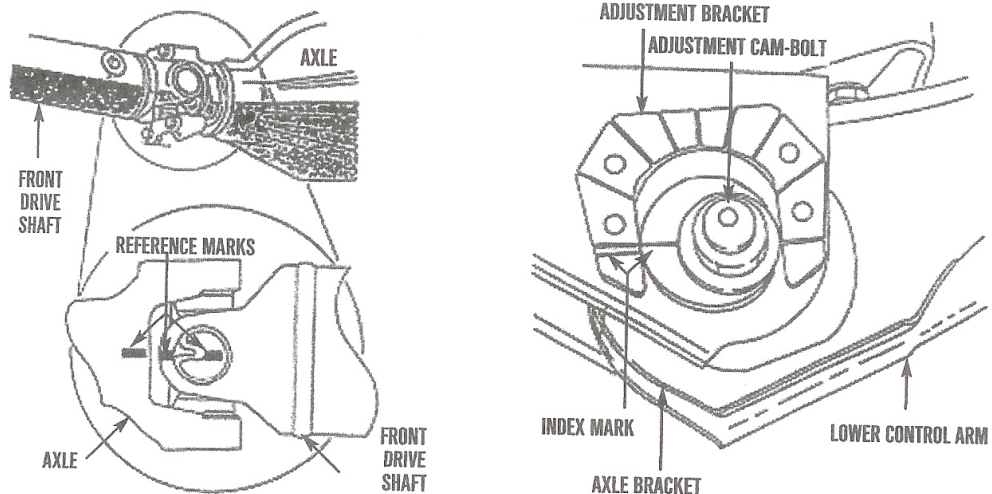


Protecting Your Adventure Lifestyle

#80001
FRONT COIL SPRING KIT –JEEP TJ 4” LIFT
INSTALLATION INSTRUCTIONS

Please read instructions before beginning installation. Check the kit hardware against the parts list. Be sure you have all needed parts and know where they go.

1. Raise and support the vehicle with jack stands.
2. Remove the tires and wheels.
3. Place reference marks (see left illustration below) on front driveshaft and axle. Disconnect the front drive shaft and axle.
4. NOTE: If vehicle is equipped with ABS brakes, remove the sensor wire from the inboard side of the lower control arm.
5. Locate the adjustment cam bolt, positioned on the front of the existing lower control arms, and make index mark (as shown in the right illustration below).
6. Remove the lower control arms.
7. Remove the front shock absorbers. Disconnect the stabilizer link at the axle.
8. Lower the rear axle until the coil springs are free from the upper seat and remove the coil springs.



MAINTENANCE INFORMATION

It is the ultimate buyers responsibility to have all bolts/nuts checked for tightness after the first 100 miles. After that, check them every 1000 miles. Wheel alignment steering system, suspension and drive line systems must be inspected by a qualified professional mechanic at least every 3000 miles.

PARTS LIST

FRONT COIL SPRINGS

700015 (2)

QUALITY • INTEGRITY • INNOVATION • SERVICE

Learn more about performance suspension parts we have.