



Warrior, Inc.
 16850 SW Upper Boones Ferry Rd. Suite A
 Durham, OR 97224
 Phone: (888) 220-6861
 Fax: (503) 692-0364
customerservice@warriorproducts.com
www.warriorproducts.com

2005 – 2015 Toyota Tacoma Rear Bumper w/ D-Ring Mounts

P/N 4550

Kit Contents:

Item	Qty	Item	Qty
Rear Bumper	1	Rear Storage Box Lock Mechanism	1
½" x 1 ½" Hex Bolt	4	Filler Plate / Light mount Bracket	2
½" USS Flat Washer	8	¼" x ¾" Carriage Bolt	4
½" Lock Washer	4	¼" Lock Washer	4
½" Hex Nut	4	¼" Nyloc Nut	6
Rubber Trim	36"	¼" x ¾" Hex Bolt	2
Rear Storage Box Cover	1	Plastic License Plate Nut	4
		#14 x 1" Self-Tapping Screw	4

Installation Instructions:

1. Before you start, you must remove the factory rear bumper. Begin by removing lights from both sides of the license plate. From behind the bumper locate each light. Twist 90 degrees and pull to remove the bulb and socket from the housing.

If you have a Tow Package continue to step 2, otherwise skip to step 7

2. Disconnect any trailer plug wiring that may be connected to the rear bumper. The factory connection will have a plastic plug with a retainer that must "swing" open approximately 90 degrees to release the plug.
3. Use a flathead screw driver to pop up the small squares on top of the bumper, revealing the plastic snap pins inside. See **Figure 1**.
4. Using a flathead screwdriver and needle nose pliers, pull up on the center to release and remove the plastic snap pins.
5. Remove the two small bolts underneath the bumper attaching the center plastic cover.
6. Remove the plastic cover to reveal the two large bolts located underneath the large round caps in the cover. Remove both of these bolts.

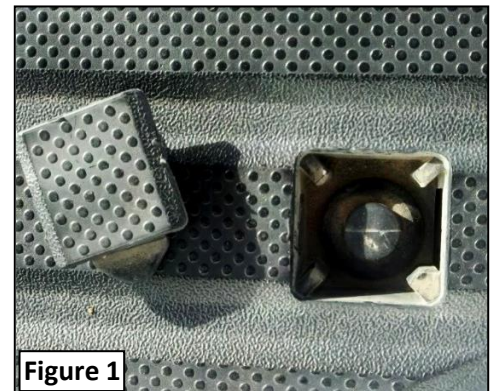


Figure 1

Skip to this step if you do not have a Tow Package

7. Use an 11/16" socket to remove the 4 bolts on either side of the bumper frame mount. There will be 2 bolts on each side that will need to be removed. They are located closest to the bumper. See **Figure 2**. (On vehicles without a tow package, loosening the remaining bolts connecting the frame plates to the frame may make removal / installation of the bumper easier).

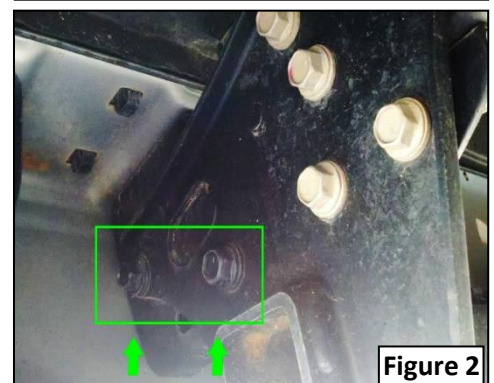


Figure 2



Warrior, Inc.
16850 SW Upper Boones Ferry Rd. Suite A
Durham, OR 97224
Phone: (888) 220-6861
Fax: (503) 692-0364
customerservice@warriorproducts.com
www.warriorproducts.com

8. Remove the factory bumper, taking care to pull it away from the vehicle evenly. An extra set of hands may be helpful here. It may be necessary to tape off the truck around the rear bumper to avoid any potential scratches while removing the rear bumper.
9. Install Filler Plates / Light Mount Brackets with the supplied $\frac{1}{4}$ " carriage bolts. (This can be done with bumper installed, but it is easier to do it at this time)

NOTE: The bracket orientation will differ depending on installation as Filler Plate, or as Light Mount Bracket. See Figures 3 and 4.

- a. If you are installing the Filler Plate without LED's, simply orient the bracket as shown in **Figure 3**, with the square portion filling the square cutout in the bumper.
 - i. Insert two $\frac{1}{4}$ " Carriage bolts (one per side) through the Filler Plate bracket and the bumper mount bracket.
 - ii. Place a $\frac{1}{4}$ " washer and $\frac{1}{4}$ " Nyloc nut on each Carriage bolt.
 - iii. Visually align the plate and tighten hardware.
 - iv. Repeat for the other side.

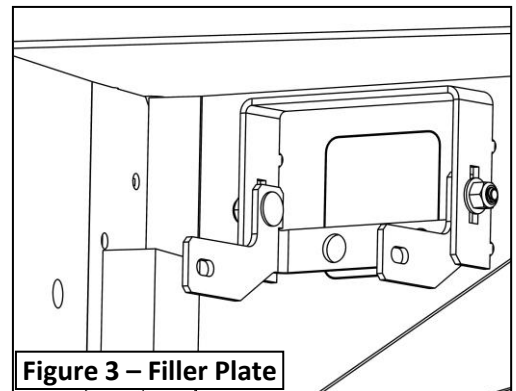


Figure 3 – Filler Plate

- b. If you have aftermarket LED lights that you wish to use, Your Light Mount Brackets will be oriented as shown in **Figure 4**.
 - i. You must first determine where to drill the hole in the plate to mount your lights. Place the Light Mount Bracket into position, and hold your light in place. Determine how far back on the plate to drill your mounting hole so that you will have clearance to mount your light without interference with the bumper skin.
 - ii. Place a mark centered between the arms of the bracket at your desired depth away from the bumper skin. Do this for both Light Mount Brackets.
 - iii. Center punch the marks you have made and drill holes of the desired diameter in the mounting brackets (start with a small pilot hole... $\frac{1}{8}$ " – $\frac{3}{16}$ " drill bit).
 - iv. Next, before bolting the lights onto the bracket, install the bracket into the bumper.
 - v. Insert two $\frac{1}{4}$ " Carriage bolts (one per side) through the Filler Plate bracket and the bumper mount bracket with the rounded heads facing in toward where the light will be.
 - vi. Place a $\frac{1}{4}$ " washer and $\frac{1}{4}$ " Nyloc nut on each Carriage bolt.
 - vii. Adjust the desired height of the Light Mount Bracket based on the size of your lights so that they will be centered in the bumper opening. The mounts have a slot to allow this adjustment.
 - viii. Tighten the $\frac{1}{4}$ " hardware to secure the Light Mount Bracket.
 - ix. Repeat steps iv. through viii. for the second side.
 - x. Mount your lights in the holes that you have drilled and wire as desired.

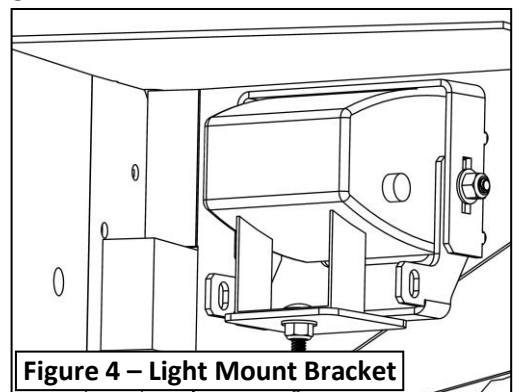


Figure 4 – Light Mount Bracket



Warrior, Inc.
16850 SW Upper Boones Ferry Rd. Suite A
Durham, OR 97224
Phone: (888) 220-6861
Fax: (503) 692-0364
customerservice@warriorproducts.com
www.warriorproducts.com

10. Carefully position your new Warrior Products bumper on your truck, making sure the Toyota frame plates are on the outside of the bumper mounting plates. **USE CAUTION!!! MAKE SURE TO NOT SCRATCH OR DAMAGE YOUR VEHICLES PAINT WHILE PLACING THE BUMPER.** You may find that the mounting plates are a tight fit. Maneuvering the bumper up from the bottom of the frame plates may help.
11. Insert the [4] ½" x 1 ½" Hex Bolts with [4] ½" USS Flat Washers from the outside in.
12. Add another ½" USS Flat Washer to each bolt after it has passed through the Toyota frame plate, and the bumper mounting plate.
13. Add a ½" lock washer and ½" hex nut to each bolt and hand tighten.
14. If you loosened the bolts connecting the frame plates to the frame, tighten them at this time.
15. Visually Align Rear Bumper.
16. Tighten the [4] ½" nuts and bolts connecting the bumper to the mounting plates.
17. Assemble your Rear Storage Box Cover and Locking Mechanism.

- a. Slide the supplied round gasket over the threads of the lock and place against the mounting flange.
- b. From the outside of the Storage Box Cover, insert the lock through the hole punched in the top center. Orient the

Locking Mechanism so that the Lever is pointing toward the top of the cover. See **Figure 5**.

- c. On the opposite side, thread the supplied nut onto the lock core and tighten with a ¾" socket or wrench.
- d. Remove the cam retaining screw on the end of the lock core.
- e. Place the cam onto the lock, also pointing toward the top of the cover (the same direction as the lever on the outside of the cover). The jog in the cam should jog AWAY from the cover. See **Figure 6**.
- f. Replace and tighten the cam retaining screw.

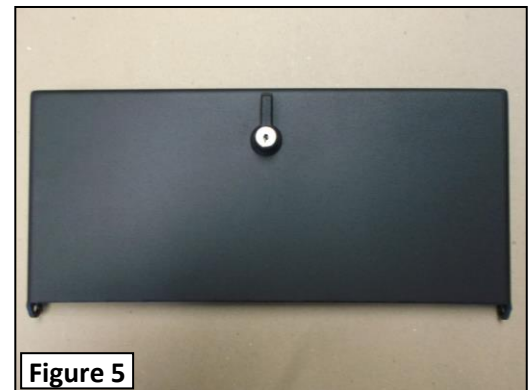


Figure 5



Figure 6

18. Place rubber trim around the protruding edge of the storage box. Start at one end of the trim and work it around until you have come back to the starting end of the trim. Cut the rubber trim to length.
NOTE: Cut slightly more than is necessary. Trim will compress to fit. You can always cut off additional trim if it does not fit perfectly with your original cut.
19. Align the 2 tabs on the bottom of the storage box cover with the two exposed tabs in the bumper around the lower corners of the storage box.
20. Insert a ¼" hex bolt through the holes in the tabs, from the outside of each side.
21. Add ¼" Nyloc nut to the bolt after it has passed through the tabs.
22. Tighten to snug and then slightly loosen so the rear storage box cover can open and close freely.
23. Unlock the Locking Mechanism with the key provided and rotate the lever counter-clockwise. Close the cover completely, and rotate the locking lever 90 degrees clockwise to latch the cover closed.



Warrior, Inc.
16850 SW Upper Boones Ferry Rd. Suite A
Durham, OR 97224
Phone: (888) 220-6861
Fax: (503) 692-0364
customerservice@warriorproducts.com
www.warriorproducts.com

24. Cut the sockets off the end of you license plate light wires, and splice each set of wires to the LED lights mounted in the bumper above the storage box and license plate locations. The white wire of the LED lights is positive. The LED lights are polarity sensitive, meaning that they will only work if your supply power is connected to the white wire. If either of your LED lights do not work with the headlight switch turned on, switch the two wire connections for that light.
NOTE: You may want to verify the LED light for correct polarity before finalizing your spliced connections.
25. Press the [4] square plastic license plate nuts into the 4 square holes in the bumper next to the Storage box. Press them until they “snap” into place.
26. Attach your license plate to the bumper by screwing the four provided #14 x 1” screws through the holes in the license plate and into the four plastic license plate nuts that you just installed.
27. Installation Complete.

If you need further assistance installing your product, please contact us by email at customerservice@warriorproducts.com or call us at (888) 220-6861.