

HEAVYWEIGHT

Always Read All Product Literature **BEFORE** installing product.

WARNING

- Always position fairlead with warning readily visible on top.
- Always use class 8.8 metric (grade 5) or better hardware.
- Never weld mounting bolts.
- Never use bolts that are too long.
- Always confirm required bolt length to ensure proper thread engagement.
- Always complete the winch installation and hook attachment before installing the wiring.



Mounting

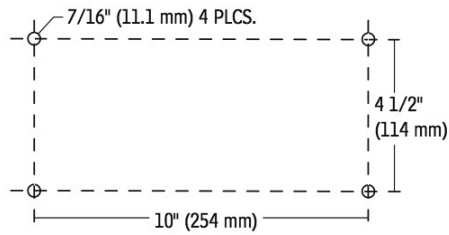
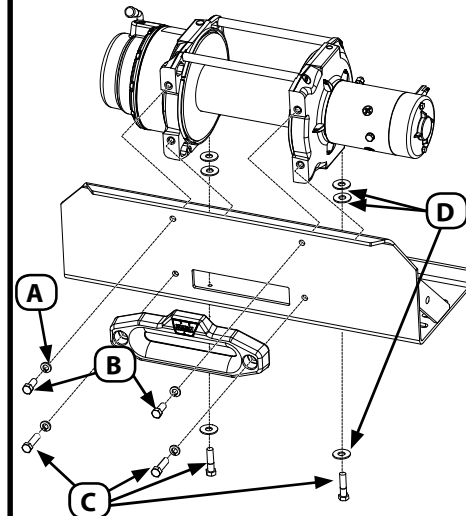
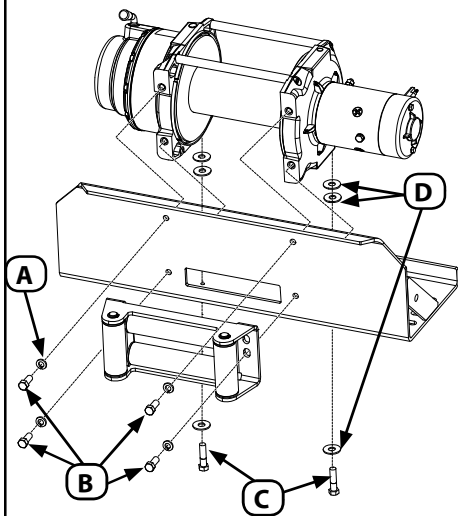


Plate Thickness	Bolt Length
5/16" (8 mm)	1.5" (40 mm)
3/8" (10 mm)	1.5" (40 mm)
1/2" (13 mm)	1.75" (45 mm)

Item	Qty	Description
A	4	7/16" (11.1 mm)
B	4	7/16-14 X 1 1/2"
C	2	7/16-14 X 1 3/4"
D	6	7/16" (11.1 mm)

Item	Qty	Description
A	4	7/16" (11.1 mm)
B	2	7/16-14 X 1 1/2"
C	4	7/16-14 X 1 3/4"
D	6	7/16" (11.1 mm)



T 50-55 ft. lbs. (68-75Nm)

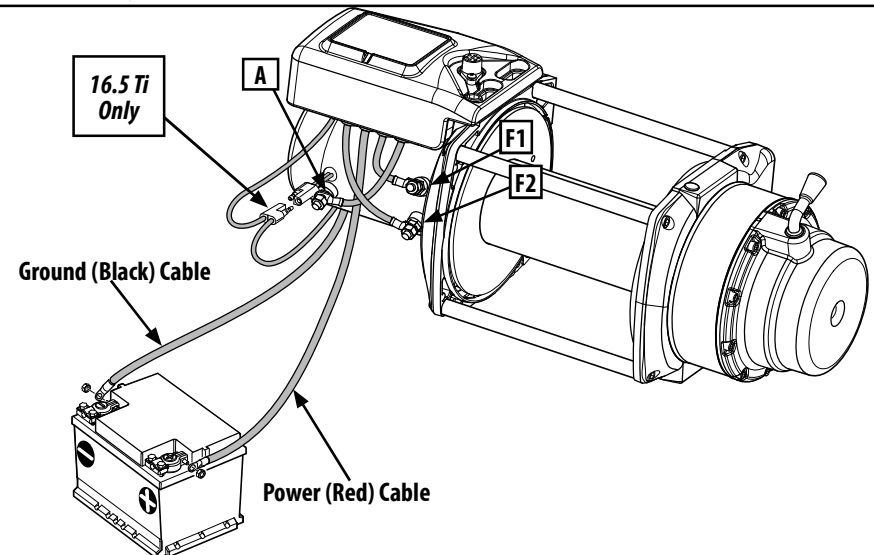
Control Pack Mounting

16.5Ti			M12/M15		
Item	Qty	Description	Item	Qty	Description
A	1	Control Pack	A	1	Control Pack
B	1	7/16-14 x 1"	B	1	7/16-14 x 1"
			C	1	Bracket
			D	2	M6 -1.0

Wiring

WARNING

- Always remove jewelry and wear eye protection when making battery connections.
- Never route electrical cables across sharp edges.
- Never route electrical cables near parts that get hot.
- Never route electrical cables over battery terminals.
- Never route electrical cables through or near moving parts.
- Always insulate and protect all exposed wiring and electrical terminals.
- Always place the supplied terminal boots on wires and terminals.



Shop for other winches on our website.