

# HEAVYWEIGHT

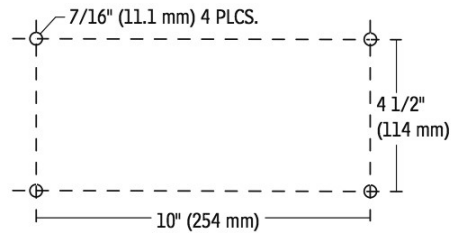


Always Read All Product Literature **BEFORE** installing product.

## WARNING

- **Always** position fairlead with warning readily visible on top.
- **Always** use class 8.8 metric (grade 5) or better hardware.
- **Never** weld mounting bolts.
- **Never** use bolts that are too long.
- **Always** confirm required bolt length to ensure proper thread engagement.
- **Always** complete the winch installation and hook attachment before installing the wiring.

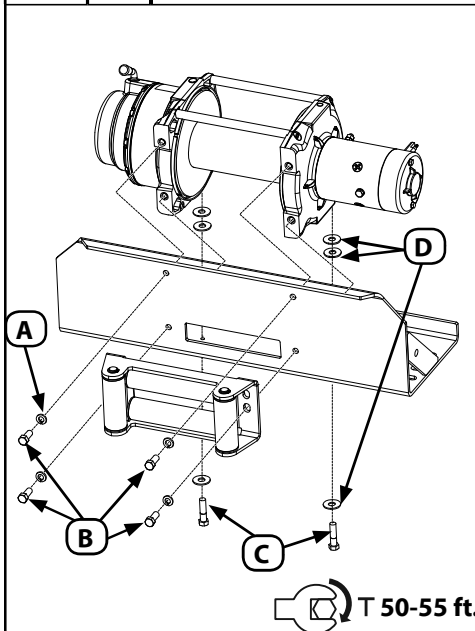
## Mounting



| Plate Thickness | Bolt Length   |
|-----------------|---------------|
| 5/16" (8 mm)    | 1.5" (40 mm)  |
| 3/8" (10 mm)    | 1.5" (40 mm)  |
| 1/2" (13 mm)    | 1.75" (45 mm) |

| Item | Qty | Description      |
|------|-----|------------------|
| A    | 4   | 7/16" (11.1 mm)  |
| B    | 4   | 7/16-14 X 1 1/2" |
| C    | 2   | 7/16-14 X 1 3/4" |
| D    | 6   | 7/16" (11.1 mm)  |

| Item | Qty | Description      |
|------|-----|------------------|
| A    | 4   | 7/16" (11.1 mm)  |
| B    | 2   | 7/16-14 X 1 1/2" |
| C    | 4   | 7/16-14 X 1 3/4" |
| D    | 6   | 7/16" (11.1 mm)  |



T 50-55 ft. lbs. (68-75Nm)

# Control Pack Mounting

| 16.5Ti |     |              | M12/M15 |     |              |
|--------|-----|--------------|---------|-----|--------------|
| Item   | Qty | Description  | Item    | Qty | Description  |
| A      | 1   | Control Pack | A       | 1   | Control Pack |
| B      | 1   | 7/16-14 x 1" | B       | 1   | 7/16-14 x 1" |
|        |     |              | C       | 1   | Bracket      |
|        |     |              | D       | 2   | M6 -1.0      |

## Wiring

### WARNING

- **Always** remove jewelry and wear eye protection when making battery connections.
- **Never** route electrical cables across sharp edges.
- **Never** route electrical cables near parts that get hot.
- **Never** route electrical cables over battery terminals.
- **Never** route electrical cables through or near moving parts.
- **Always** insulate and protect all exposed wiring and electrical terminals.
- **Always** place the supplied terminal boots on wires and terminals.

