



ZEON 8-S MULTI-MOUNT WINCH

Part Number: 90330

Rated Line Pull: 8000 lbs. (3629 kgs)

Motor: 12V DC, Series Wound

Controls: Remote switch, 12' (3.7m) Lead

Gear train: 3-Stage Planetary

Gear Ratio: 162:1

Clutch (Freespool): Rotating Ring Gear

Brake: Automatic Direct Drive Cone

Drum diameter/length: 3.15"/9.3" (8.0 cm/23.6 cm)

Kit Shipping Weight: 103 lbs (46.7 kgs)

Rope: Synthetic Rope, Ø 3/8" x 100' (Ø 9.5mm x 30.5m)

Fairlead: Hawse

Recommended Battery: 650CCA Minimum for winching

Duty Cycle: Intermittent

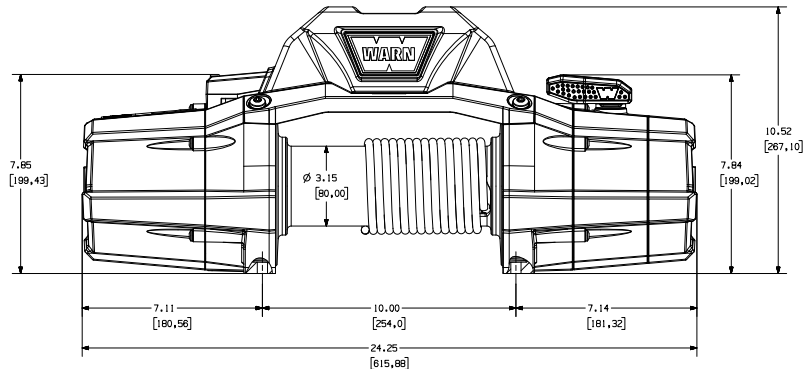
Battery leads: 2 GA, 90" (2.2m)

Finish: Black Powder Coat

Warranty: Limited Lifetime

Mounting Bolt Pattern: 10.0" x 4.5" (254mm x 114.3mm)

Winch Dimensions: 24.25 L x 7.14" D x 10.52" H (615.9mm L x 181.6mm D x 267.1mmH)



SERVICE INSTRUCTIONS

Should you encounter a problem during installation or operation of your winch, please follow these steps toward resolving the problem:

1. Refer to your operator's guide and installation instructions. It has illustrations and detailed information on the installation and safe and proper operation of your winch. It also includes a replacement parts list and assembly diagrams. If you are unable to resolve the problem, then go to step 2.
2. Contact your dealer where you purchased your winch. If, after discussing the problem with their parts and service staff, you are still unable to resolve the problem then go to step 3.
3. Call an Authorized WARN Service center from the list provided on the back of the warranty sheet included with the product. When calling, please have the following information available: winch model number and purchase date, make, model and year of vehicle.

SERVICE/UPGRADE KITS

	PN#	ITEM	QTY	DESCRIPTION
KIT 1	89302	8	1	S/P, TRANSMISSION 162, ASSY
		9	1	ROTATING RING GEAR
		(2)	1	RETAINING RING
		(3)	1	S/P, END HOUSING, ASSEMBLY
		(4)	1	S/P, END CAP
		10	1	S/P, DRUM SUPPORT, GEARTRAIN
		11	1	SUN GEAR, 12T
		21	1	CARRIER ASSY, STAGE 1
		12	1	DRIVE SHAFT
		13	1	CARRIER ASSY, STAGE 2
		14	1	WASHER, THRUST
		15	1	CARRIER ASSY, STAGE 3
		20	1	RING GEAR, 75T
		43	1	DRUM DRIVER
KIT 2	89237	6	1	S/P, END HOUSING, ASSEMBLY
		5	1	CLUTCH LEVER
		7	1	SEAL, O-RING
		8	1	DETENT, M5 SCREW
		9	1	ROTATING RING GEAR
		2	1	RETAINING RING
		6	1	GASKET, END CAP
3	10	GEARTRAIN GASKET		
				TORX, PAN HEAD, M5-0.8 x 25

KIT 3	89238			S/P, END CAP
		1	1	END CAP
		2	1	GASKET, END CAP
		3	5	TORX, PAN HEAD, M5-0.8 x 25
KIT 4	89239		1	S/P, DRUM SUPPORT, GEARTRAIN
		17	1	DRUM SUPPORT, GEARTRAIN
		18	1	DRUM BUSHING
		19	1	DRUM SEAL
		16	1	GEARTRAIN GASKET
		3	5	TORX, PAN HEAD, M5-0.8 x 25
KIT 5	89240			S/P, BRAKE ASSY
		22	1	BRAKE ASSY
		21	1	DRIVE SHAFT
		23	1	CASTING,MOTOR COUPLER
	24	1	DRUM	
KIT 6	89241			S/P, MOTOR 3 TURN
		27	1	MOTOR 3 TURN
		25	1	DRUM BUSHING, MOTOR
	19	1	DRUM SEAL	
KIT 7	90364			S/P, CONTROL PACK, 2GA
		30	1	S/P 12VDC CONTACTOR PLATE ASSEMBLY
		28	1	S/P CONTROL PACK COVER ASSEMBLY
		26	1	POWER CABLE 2GA, 2.2m
	37	1	POWER CABLE 2GA, 71cm	
KIT 8	89627			S/P BUS BARS
		33	1	BUS BARS
		35	1	TOP, BUSS BAR COVER
		34	1	BASE, BUSS BAR COVER
	36	1	TORX, PAN HEAD, M6-1.0 x 25	
INDIVIDUAL ITEMS				
	13874	10	1	SUN GEAR, 12T
	88690	11	1	CARRIER ASSY, STAGE 1
	88251	21	1	DRIVE SHAFT
	88508	12	1	CARRIER ASSY, STAGE 2
	88543	13	1	WASHER, THRUST
	88521	14	1	CARRIER ASSY, STAGE 3
	88252	15	1	RING GEAR, 75T
	90281	20	1	DRIVE SPLINE
	13824	43	1	DRUM DRIVER
	90052	41	1	ANCHOR PUCK
	89242	32	1	S/P, TIE PLATE
	87915	38	1	S/P, SYNTHETIC ROPE ASSY, 3/8x100'
	84308	39	1	S/P, FAIRLEAD, HAWSE
	81400	29	1	S/P 12VDC CONTACTOR
	89626	30	1	S/P 12VDC CONTACTOR PLATE ASSEMBLY
	89244	28	1	S/P CONTROL PACK COVER ASSEMBLY
	83665	40	1	S/P REMOTE CONTROL
	26405	26	1	POWER CABLE 2GA, 2.2m
	36080	37	1	POWER CABLE 2GA, 71cm
	88371	3	10	TORX, PAN HEAD, M5-0.8 x 25
	88682	26	1	TORX, PAN HEAD, M6-1.0 x 25
	83475	31	4	TORX, PAN HEAD, M8-1.25 x 25
	90343	42	1	BRACKET, MULTI-MOUNT