



# INSTALLATION INSTRUCTIONS

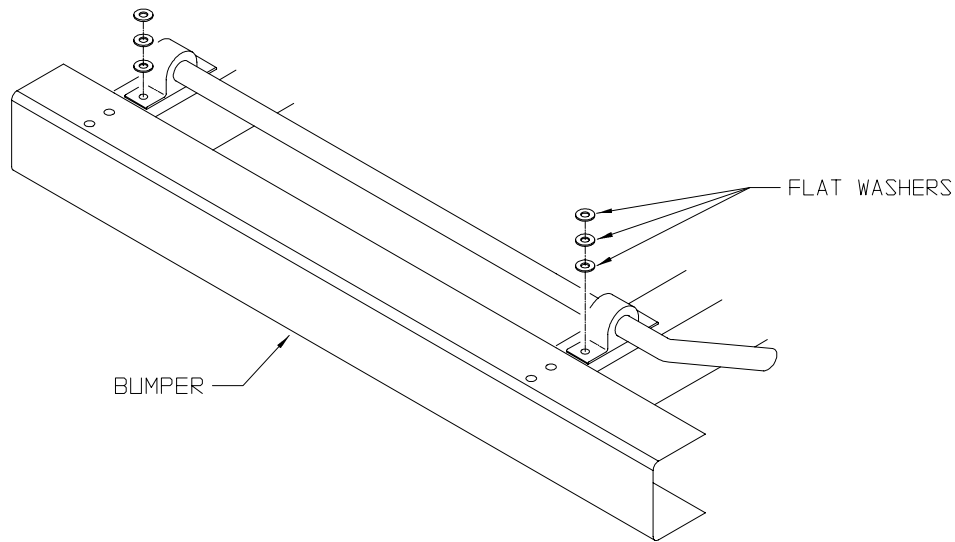
## Winch Mounting Kit 38671 for Jeep Wrangler TJ

### Parts List

<u>Part No.</u>	<u>Quantity</u>	<u>Description</u>	<u>Torque</u>
38636	1	Winch Mounting Plate	
34007	4	1/2-13 x 1-1/2 Torx Bolt	75 lb-ft (102 N-m)
25342	2	M10 x 1.50 x 35mm Bolt	32 lb-ft (43 N-m)
11524	10	3/8 Flat Washer	

The fasteners for attaching the fairlead and winch to the mounting plate are packaged with the winch. Refer to the winch installation instructions for the fastener torque spec.

1. For ease of installation, assemble the mounting plate, winch and fairlead before installing the mounting plate onto the vehicle. **Note: the square nuts fit into the pockets in the mounting feet of the winch.**
2. Remove the plastic shroud located just forward of the vehicle grille. If the vehicle has factory fog lights mounted on the bumper, relocate the lights outboard.
3. Remove the two Torx head bumper bolts on each side. Some vehicles may have the factory optional tow hooks mounted here. Remove the forward bolt of each stabilizer bar bracket.
4. **Place three or four flat washers on each stabilizer bar bracket to act as spacers (see figure 1). Failure to use the washers as spacers, will result in the winch rubbing on the grille once the fasteners are tightened down.**



**FIGURE 1**

5. Move the mounting plate and winch into position. Secure the plate at the rear holes with the supplied 35 mm hex head bolts and washers. Secure the plate at the front holes with the supplied Torx head bolts. **Warn tow hooks can be mounted at the front holes, but longer bolts are necessary. Use a minimum of grade 5 bolts, and verify, with the mounting plate in place, that there's full engagement into the frame retainer threads.** Use of optional factory tow hooks requires that they be swapped; left hook to right side and right hook to left side. Longer attachment bolts may be necessary.
  
6. Refer to the winch installation instructions and complete the electrical connections to the battery.