



# INSTALLATION INSTRUCTIONS

## For '97-'98 MODELS ONLY

Semi-Hidden [Winch](#) Mount No. 34701 For  
Ford 4x4 F-150, F250 Light Duty and Expedition

### Parts List

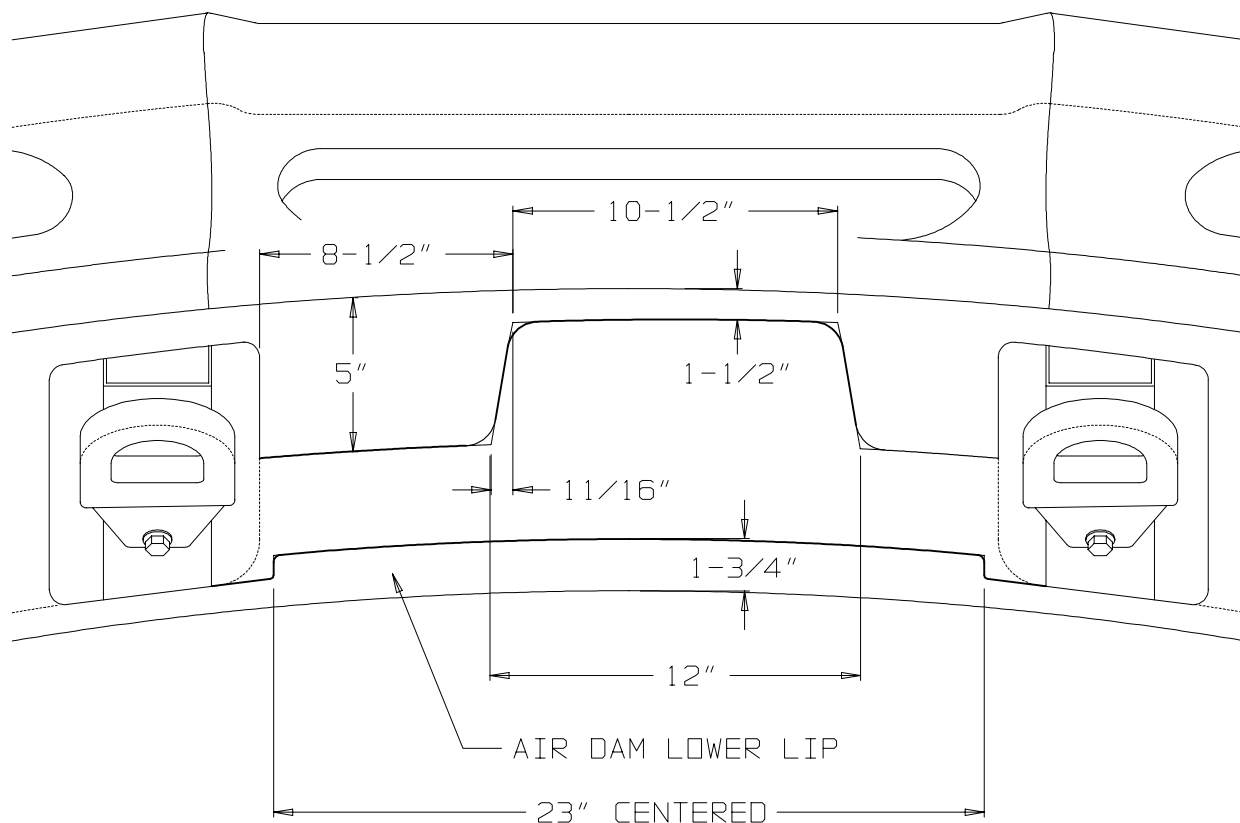
39410	Winch Carrier	1
35201	Frame Bracket, LH	1
35202	Frame Bracket, RH	1
13558	Air Dam Bracket	2
26368	Control Pack Bracket	1

For mounting applications that make remote control connection inconvenient, Warn offers a Remote Control Extension for purchase. (Warn P/N 14867.)

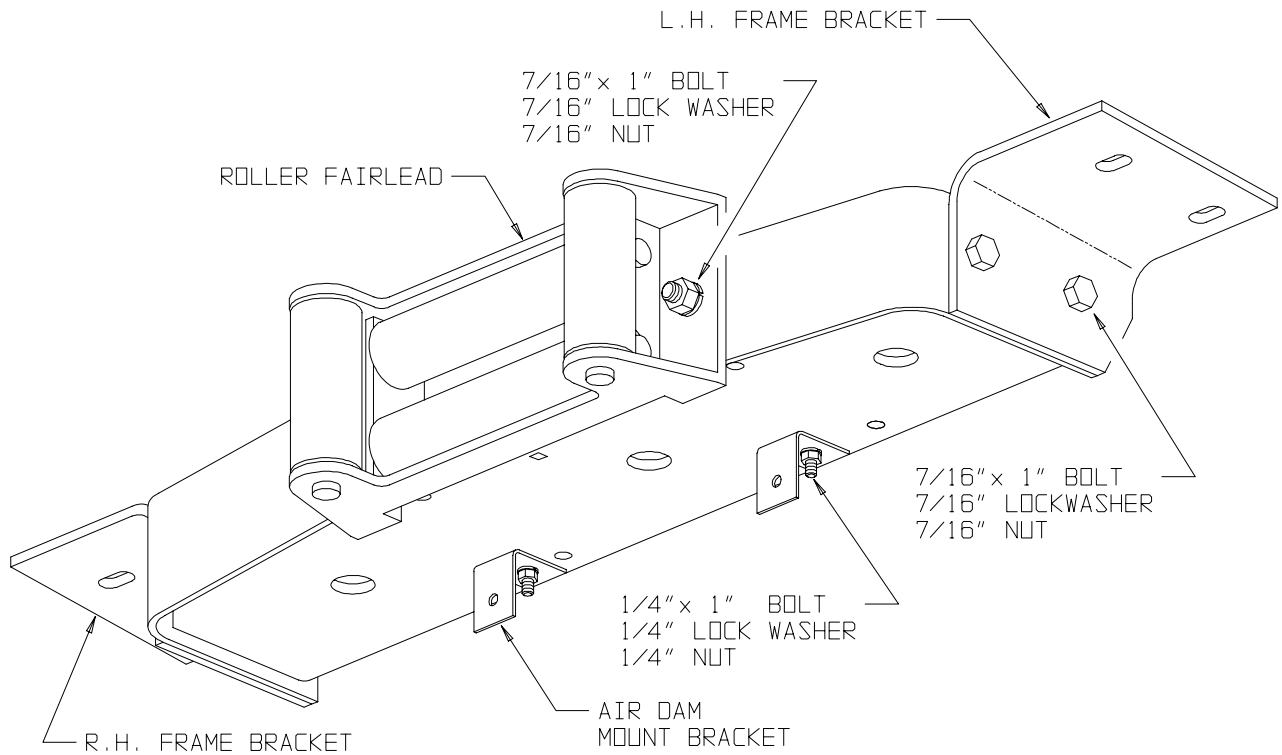
For the fastest installation, review the steps before beginning, then perform each step in the order listed. If vehicle does not have factory tow hooks, Warn adapter kit 37174 is required.

1. Trim plastic air dam below bumper along the heavy lines shown in **Figure 1**. The measurements should be taken with a measuring tape laying down against the plastic. A Dremel type cutting tool, small hole saw and a sharp knife or Exacto blade are all useful tools for this job. (The cutout shown is intended for use with the Warn roller fairlead).

**FIGURE 1**

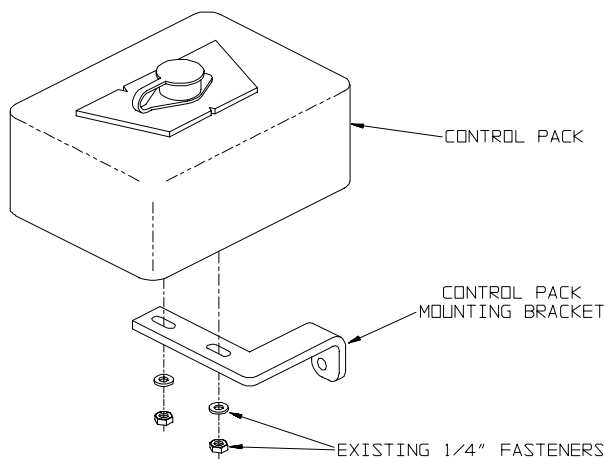


2. Pry out the 3 plastic fasteners holding the flexible air deflector to the back of the bumper. Push the deflector up out of the way.
3. Assemble the various parts onto the winch carrier plate as shown in **Figure 2**.

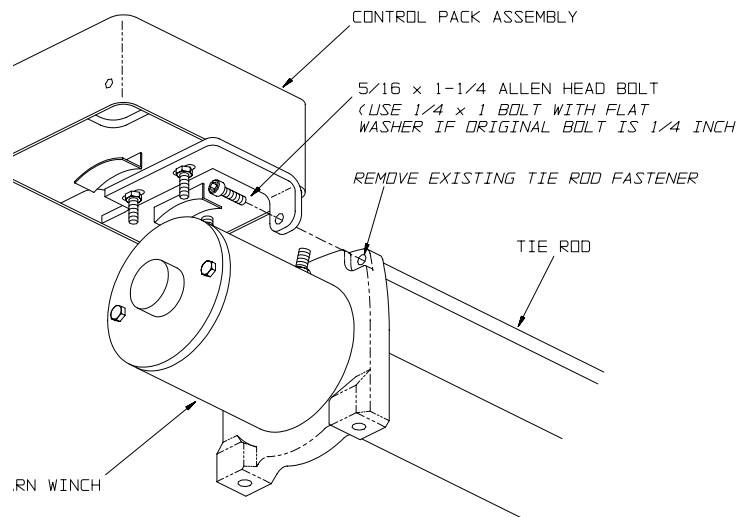


4. If the winch uses the separate black control pack, mount it to the winch as shown in **Figures 3 & 4**. Connect the electrical cables to the winch motor.

**FIGURE 3**

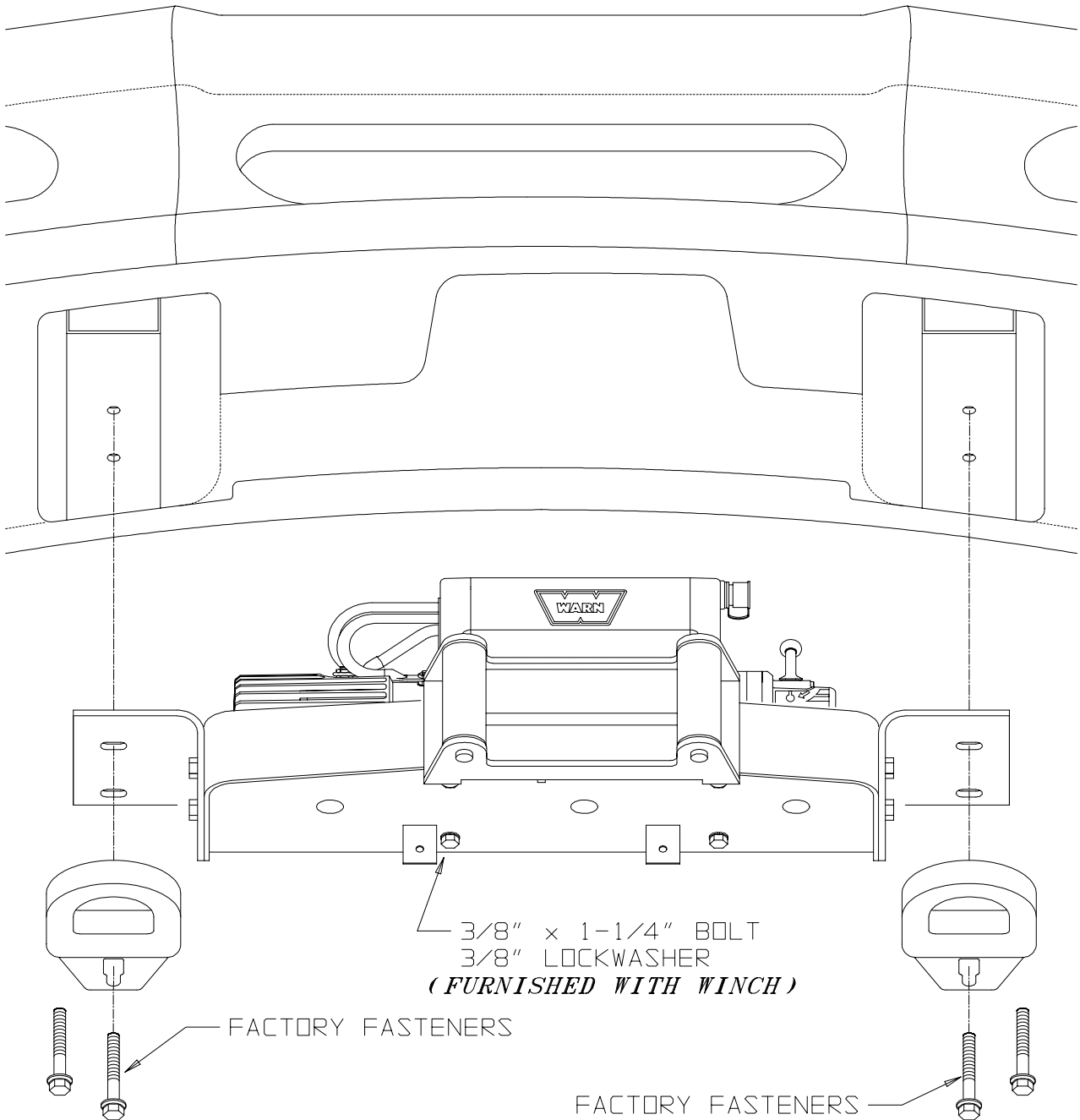


**FIGURE 4**



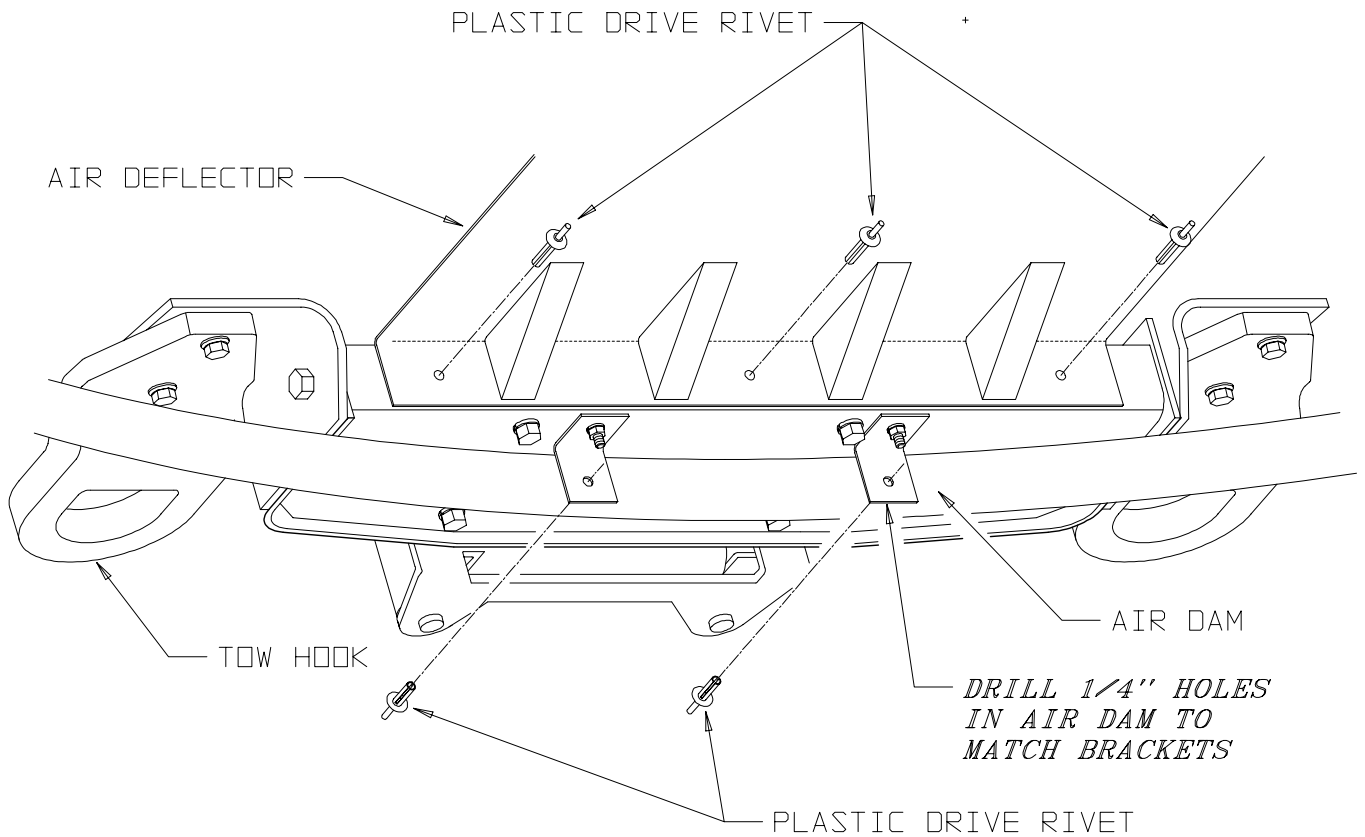
5. Mount the Warn winch onto the carrier plate.
6. Remove the factory tow hooks and fasteners. Refer to **Figure 5** and lift the entire unit up against the bottom of the frame, then reinstall the original hooks and fasteners.

**FIGURE 5**



7. Note in **Figure 6** that the lower lip of the air dam will pass under the winch carrier. Drill 1/4" holes in the plastic to match the brackets. Secure with the supplied plastic drive rivets. Secure the vehicle air deflector to the back of the winch carrier using the factory fasteners or replace with the supplied plastic drive rivets.

**FIGURE 6**



8. Make the electrical connections to the vehicle battery as described in the winch installation instructions.