



INSTALLATION INSTRUCTIONS

LARGE-FRAME WIRE ROPE TENSIONER KIT

The wire rope tension plate can be installed to any of the tie rods on the [winch](#). The tensioner works equally well in all positions.

1. Remove the two bolts holding one tie rod and slip the tie rod through the tensioner plate as shown in **FIGURE 1**.

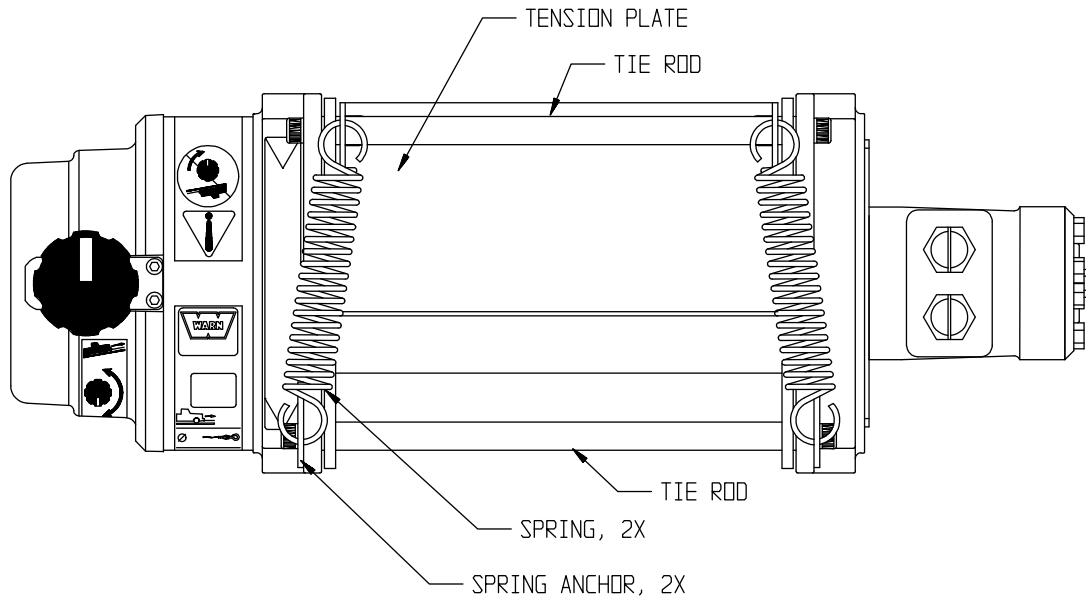


FIGURE 1

2. Replace the tie rod and bolts and torque to 18-22 Lb.-ft. (24.4-29.8 N•m).
3. Remove the two bolts on the other tie rod. Leave the tie rod in place, position the spring anchors between the bolt heads and the drum supports as shown in **FIGURE 2**. Torque the bolts to 18-22 Lb.-ft. (24.4-29.8 N•m).

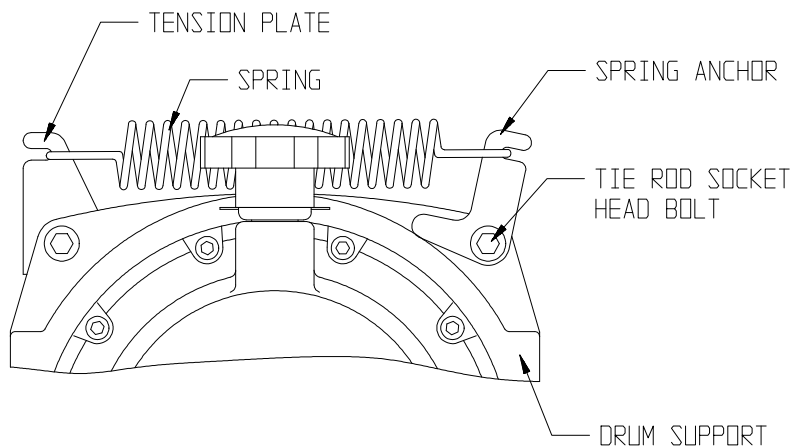


FIGURE 2

4. Connect the springs to the hooks on the tension plate and the spring anchors. Installation is now complete.
WIRE ROPE INSTALLATION NOTE: When installing a new wire rope, unhook the tensioner springs to ease placement of the wire rope end into the rope anchor. After tightening the rope anchor on the drum, re-connect the springs before winding rope onto the drum.