



INSTALLATION INSTRUCTIONS

WARN M15000, 16.5ti, AND SERIES 15 FAIRLEADS

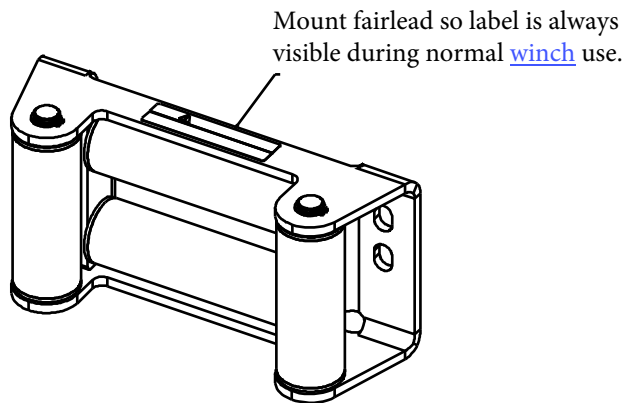
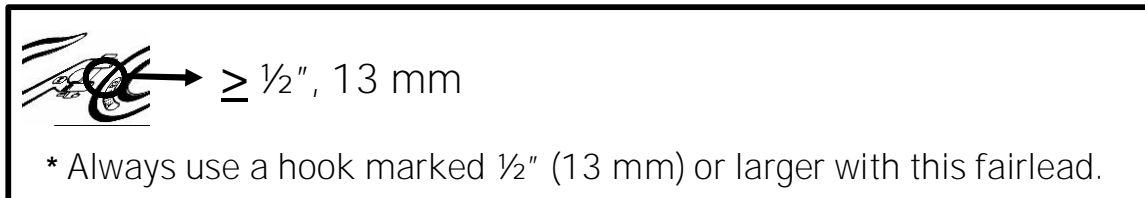
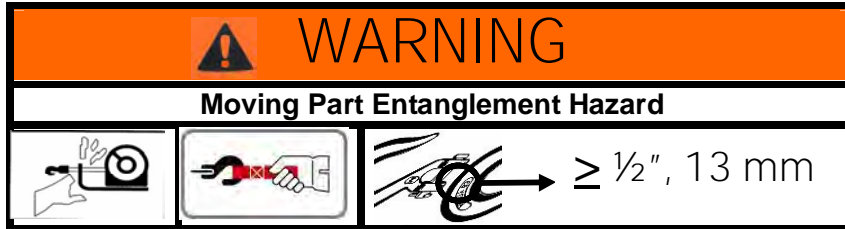


FIGURE 1.

1. Install the fairlead so the label is always visible during normal winching operations.
2. Attach the fairlead to the bumper so it is centered on the fairlead opening in the bumper.
3. Use fasteners supplied with the winch for fairlead mounting.