



INSTALLATION INSTRUCTIONS

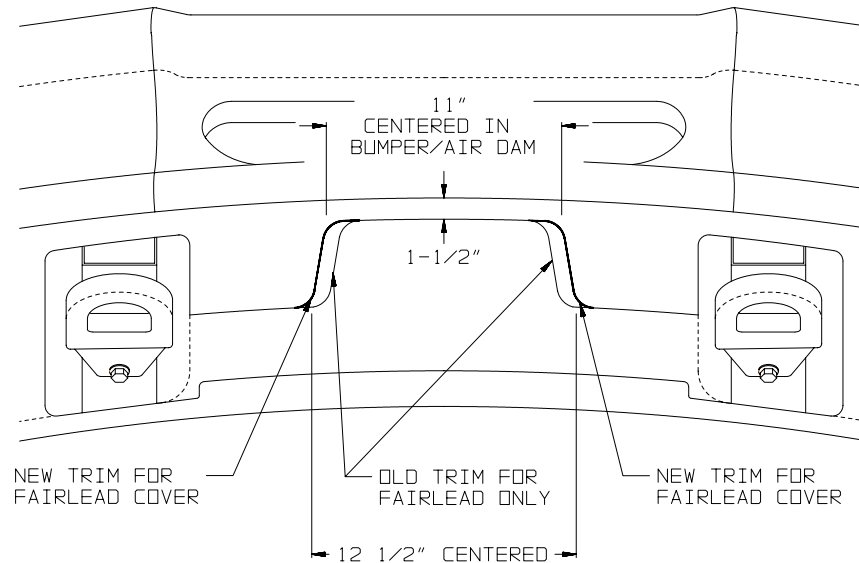
Fairlead Cover for Warn Roller Fairlead w/Semi-Hidden Winch Mount

Parts List

PART NO.	QUANTITY	DESCRIPTION
36339	1	Fairlead Cover

1. Trim the plastic air dam below the bumper along the heavy lines shown in **Figure 1**. The measurements should be taken with a measuring tape laying down against the plastic. The opening will be about 1/2" to 3/4" wider than the opening for the fairlead alone. A Dremel type cutting tool and a sharp knife or Exacto blade are all useful tools for this job.

FIGURE 1



2. To install the Fairlead Cover, press it onto the vertical rollers of the fairlead then slide it up, inside the air dam. Be sure the cable hook does not prevent the cover from fully engaging the rollers.
3. To remove the Fairlead Cover, slide it down to clear the air dam. Pull the bottom free of the rollers, then pull the top free.