



# INSTALLATION INSTRUCTIONS

## Ascent-XP Front Bumper

Part Number: 107290

Application: 2017-20 Ford SD F250/F350

### GENERAL SAFETY PRECAUTIONS

Your safety, and the safety of others, is very important. To help you make informed decisions about safety, we have provided installation and operating instructions and other information on labels and in this guide. This information alerts you to potential hazards that could hurt you or others. It is not possible to warn you about all potential hazards associated with this product, you must use your own good judgment.

**CARELESS INSTALLATION AND OPERATION CAN RESULT IN SERIOUS INJURY OR EQUIPMENT DAMAGE. READ AND UNDERSTAND ALL SAFETY PRECAUTIONS AND OPERATING INSTRUCTIONS BEFORE INSTALLING AND OPERATING THIS PRODUCT.**

This guide identifies potential hazards and has important safety messages that help you and others avoid personal injury or death. **WARNING** and **CAUTION** are signal words that identify the level of hazard. These signal words mean:

**▲WARNING** signals a hazard that could cause serious injury or death if you do not follow recommendations. **▲CAUTION** signals a hazard that may cause minor to moderate injury if you do not follow recommendations.

This guide uses **NOTICE** to call attention to important mechanical information and **Note**: to emphasize general information worthy of special attention.

### ▲ WARNING

#### IMPACT AND MOVING PARTS ENTANGLEMENT HAZARD

**Failure to observe these instructions could lead to severe injury or death**

- **Always** Know Your Winch. Take time to fully read the Instructions and/or Operations Guide, and/or Basic Guide to Winching Techniques, in order to understand your winch and its operations.
- **Never** work under vehicle before properly securing vehicle.
- **Always** use appropriate and adequate care in lifting components into place.
- **Never** work under vehicle before properly securing vehicle.
- **Always** use appropriate and adequate care in lifting components into place.
- **Never** use a jack to support the vehicle.
- **Always** use jack stands in pairs to support the vehicle.
- **Always** use jacks or jack stands only on a hard, stable, and level surface.
- **Never** exceed the rated capacity of a jack or jack stands.
- **Always** verify that the parking brake is set, the transmission is in park (automatic) or reverse (manual) and the rear wheels are blocked before working on vehicle.
- **Never** work under vehicle before properly securing vehicle.
- **Always** use appropriate and adequate care in lifting components into place.
- **Always** ensure components will remain secure during installation and operation.
- **Always** tighten all nuts and bolts securely, per the installation and operation.
- **Always** perform regular inspections and maintenance on the winch, winch mount and related hardware.
- **Always** replace all worn or damaged parts before operating.
- **Never** operate this WARN product with damaged or missing parts.
- **Always** use extreme caution when drilling on any vehicle. Make sure that all fuel lines, brakelines, electrical wires, and other objects are not punctured or damaged when/ if drilling on the vehicle. Thoroughly inspect the area to be drilled (on both sides of material) prior to drilling and relocate any objects that may be damaged. Failure to inspect the area to be drilled may result in vehicle damage, electrical shock, fire or personal injury.
- **Always** use extreme caution when cutting and trimming during fitting.
- **Always** wear safety glasses when installing this kit. A drilling operation will cause flying metal chips. Flying chips can cause eye injury.
- **Always** remove jewelry and wear eye protection.
- **Never** lean over battery while making connections.
- **Never** route electrical cables across any sharp edge, through or near moving parts, near parts that become hot.

**Read installation and operating instructions thoroughly.**

## ⚠ CAUTION

### MOVING PARTS ENTANGLEMENT HAZARD

**Failure to observe these instructions could lead to minor or moderate injury**

- Part edges may be sharp!
- Always use proper posture / lifting technique or get lifting assistance while handling and installing product.

**Read installation and operating instructions thoroughly.**

## NOTICE

### EQUIPMENT DAMAGE

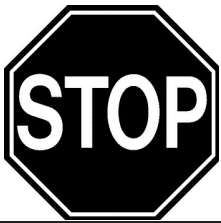
- **Never** tow vehicle by attaching a tow bar to the eyelets on the bumper.
- Do not attach tow bars directly to the bumper. Damage to bumper may occur. **WARN** bumpers are not designed to be used for flat towing. Consult with the manufacturer of your tow bar system for the proper vehicle tow bar brackets.

**Read installation and operating instructions thoroughly.**

## BEFORE YOU BEGIN

- **BEFORE YOU BEGIN READ INSTALLATION INSTRUCTION THOROUGHLY.**

## NOTICE



This product may interfere with driver assist systems such as adaptive cruise control and parking assist systems that have sensors or cameras installed in the bumpers or front grill area. If your vehicle is equipped with any of these systems or features, consult your vehicle owner's manual before installing this product. These systems may need to be disabled as a result of installing this product.

## TABLE OF CONTENT S

Tools Required .....	page 2
Torque Specifications .....	page 2
Parts List .....	page 3
Installation .....	page 4-9
Maintenance/Care .....	page 10

## TOOLS REQUIRED

- Metric socket set
- Standard socket set
- Body pry tool
- Metric wrench
- Standard wrench

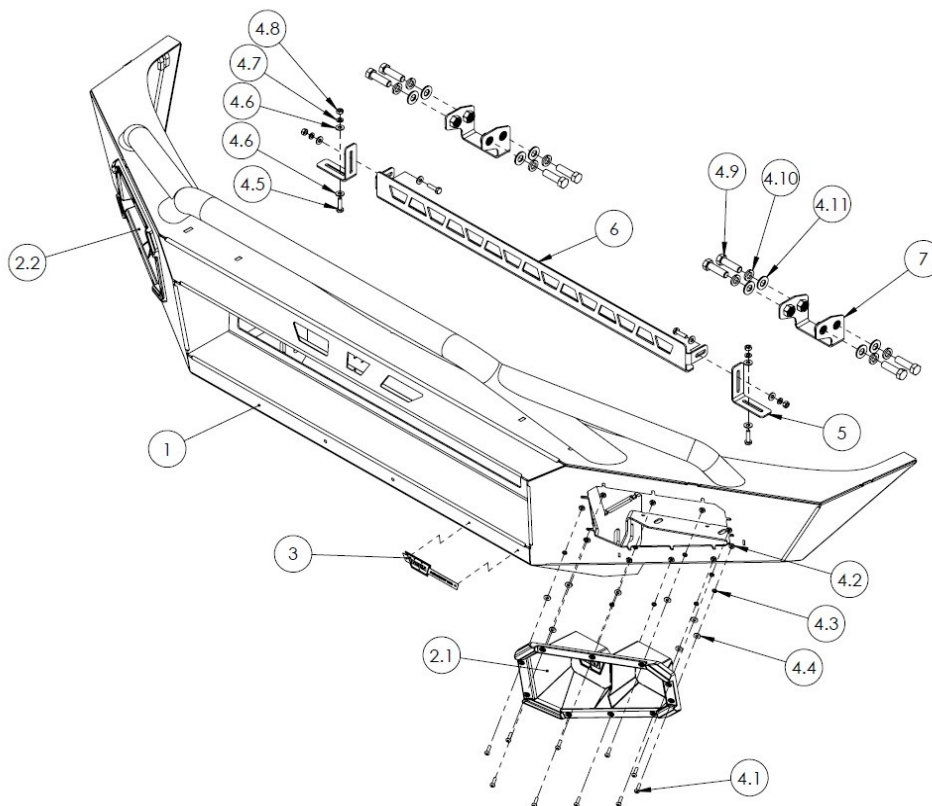
## TORQUE SPECIFICATIONS

Please use the recommended torque specifications when assembling this product unless otherwise specified in the instructions.

FASTENER SIZE	FASTENER TORQUE		FASTENER SIZE	FASTENER TORQUE	
	lb-ft	(N.m)		lb-ft	(N.m)
1/4"	8	(11)	M4	(2)	3
5/16"	17	(23)	M5	(4.5)	6
3/8"	30	(40)	M6	(7.5)	10
7/16"	48	(66)	M8	(18)	25
1/2"	74	(100)	M10	(37)	50
9/16"	106	(144)			
5/8"	148	(200)			
3/4"	269	(364)			

# PARTS LIST

ITEM	PART NO.	DESCRIPTION	QTY	ITEM	PART NO.	DESCRIPTION	QTY
1	107290	WARN Ascent XP PR 2017-20 Ford F250-F350	1	5	22352	Warn XP L-Bracket	2
2.1	94888	Light Insert RH	1	6	22353	Warn XP Mesh Insert	1
2.2	94889	Light Insert LH	1	7	22357	107290 Frame Weldnut Plate	2
3	107152	WARN Ascent XP Label	1				
4	50255-HW	107290 WARN Super Duty HW Kit	1				
4.1	101064	10-24X3/4 Button head bolt <i>(not all shown)</i>	20				
4.2	101065	10-24 Machine screw nut	20				
4.3	101072	#10 Split lock washer	20				
4.4	101067	#10 Flat washer	20				
4.5	101039	1/4"-20 x 1" Hex Head Bolt	4				
4.6	100975	1/4" Flat Washer	8				
4.7	100974	1/4" Lock Washer	4				
4.8	100511	1/4"-20 Hex Nut	8				
4.9	100601	1/2-13 x 1.75 Hex head bolt	8				
4.10	100604	1/2" Lock washer	8				
4.11	100606	1/2" Flat washer	8				



## INSTALLATION INSTRUCTIONS

1. Use a body pry tool to remove the plastic covers around the tow hooks to access the bolts behind them. Use an 18mm socket to remove the four (4) bolts on each side of the bumper. (Figure1)

Note: If truck is equipped with an Adaptive Cruise Control sensor it will have to be removed before you can access the bolts behind it.

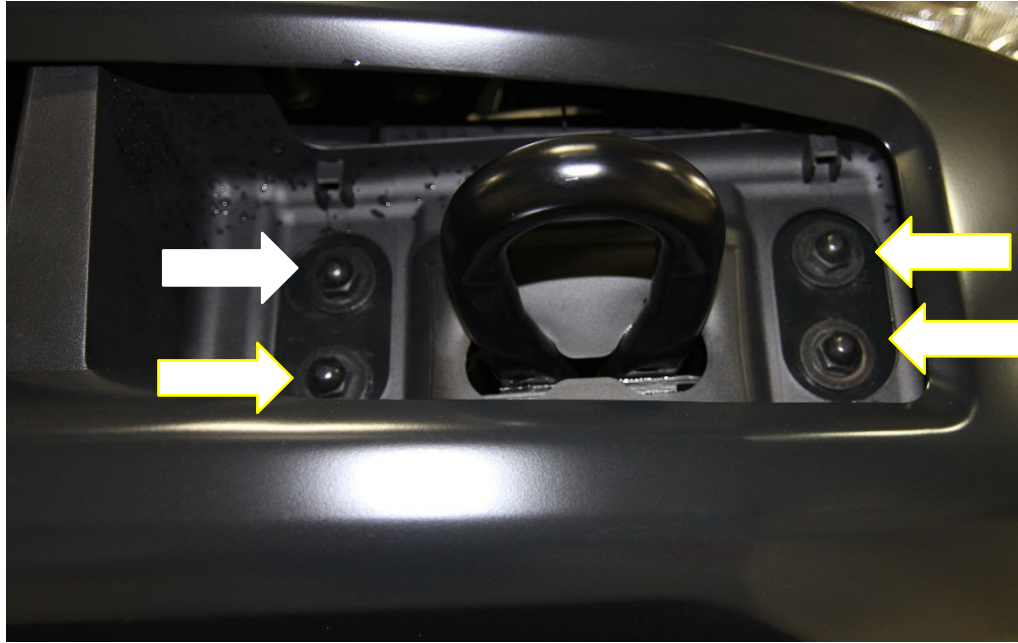


Figure 1

2. Use a 15mm socket wrench to remove the four (4) bolts (two on each side of the bumper) holding the support brackets to the frame. (Fig. 2)



Figure 2

3. Unplug the fog light wiring harness and remove the bumper from the truck.

# INSTALLATION INSTRUCTIONS

4. Use an 18mm socket to remove the four (4) bolts holding the tow hooks onto the frame. Remove the tow hooks from both sides of the truck. (Fig. 3)

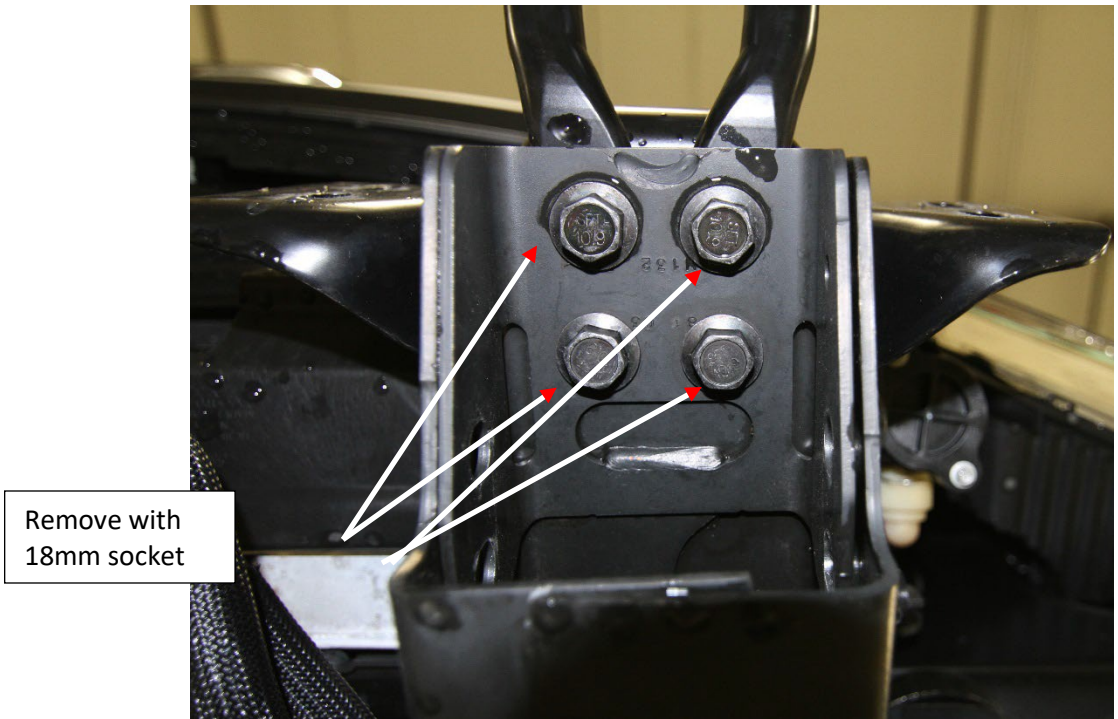


Figure 3

5. Use an 18mm socket to remove the four (4) nuts holding the frame horns onto the frame. Remove the frame horns from both sides of the truck. (Fig. 4)



Figure 4

# INSTALLATION INSTRUCTIONS

6. Place the provided nut plate (22357) into the frame for later install. (Fig 5.)

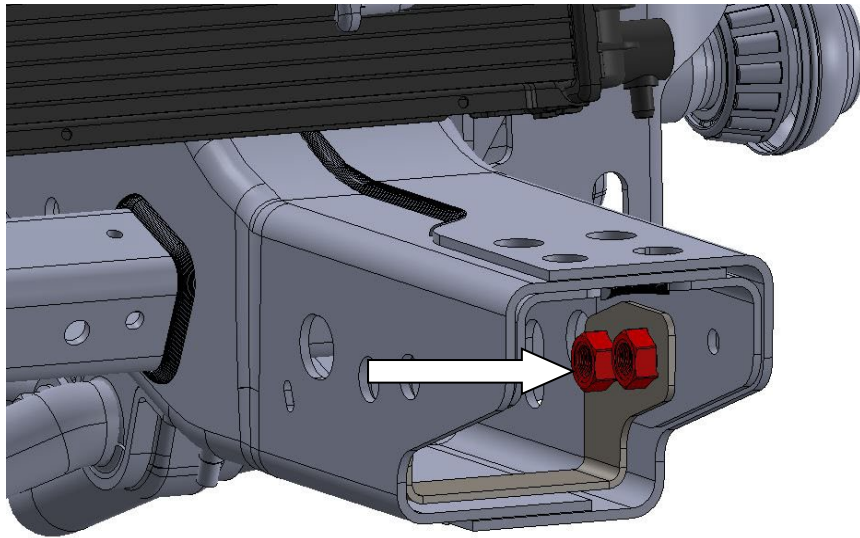


Figure 5

7. Use the provided  $\frac{1}{4}$ " hex head bolts, flat washers and lock washers to install the two (2) L-brackets (22353) and the mesh (22353). (Fig 6)

Note: Center the mesh in the opening before tightening the  $\frac{1}{4}$ " hardware. If installing a 30" light bar replace the mesh with the lightbar and use the lightbar hardware to attach it to the provided L-brackets (22353)

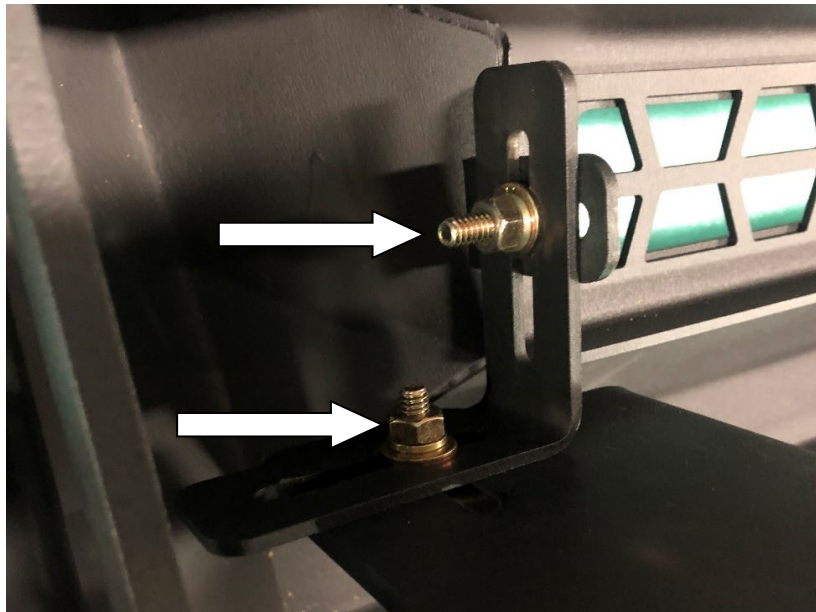


Figure 6

## INSTALLATION INSTRUCTIONS

8. Install the two light boxes (94888 and 94889) into the bumper on the RH and LH side, respectively. Use the provided #10-24 Bolts, flat and lock with nuts to attach them to the bumper and tighten them with 10mm socket wrench and 3mm allen wrench (50255-HW). (Fig 7-8)

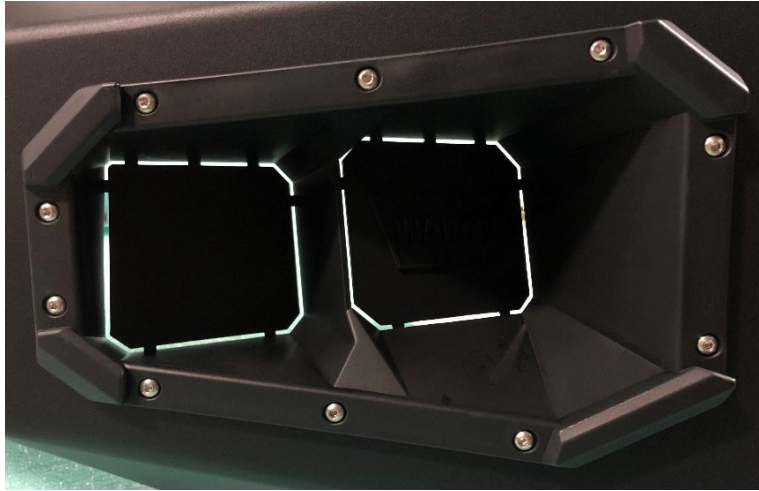


Figure 7



Figure 8

# INSTALLATION INSTRUCTIONS

9. If equipped, remove the rubber air dam from the OEM bumper using a body pry tool. Once removed, relocate it to your new Warn bumper using the built-in tabs located along the top deck of the bumper. (Fig 9-10)

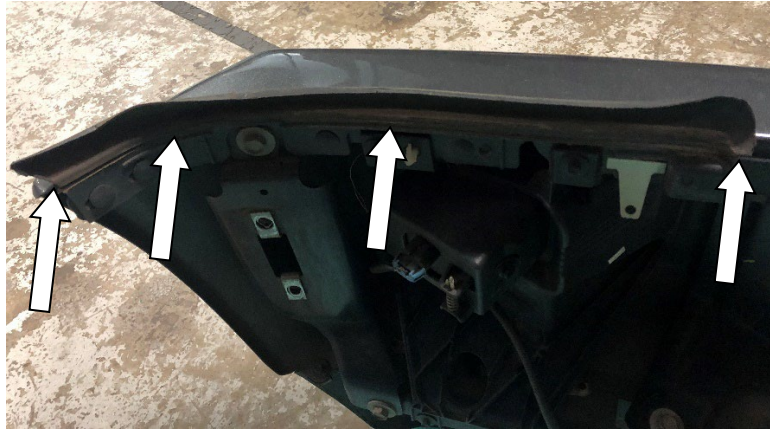


Figure 9

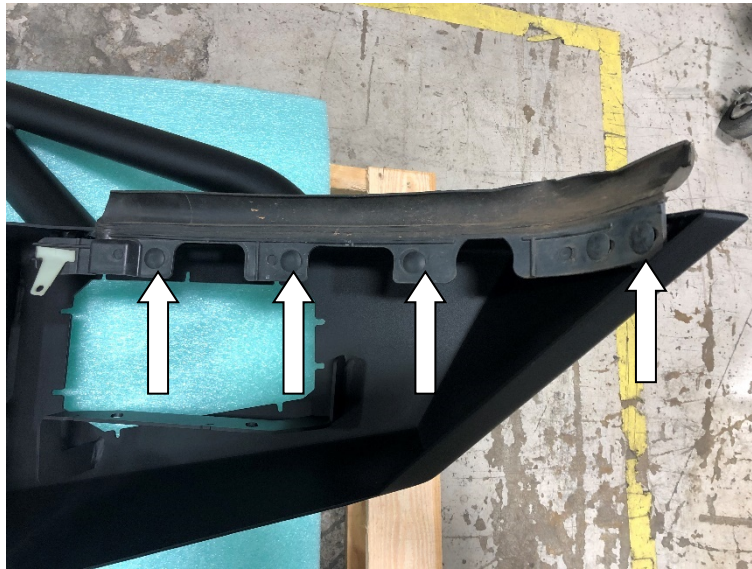


Figure 10



## INSTALLATION INSTRUCTIONS

10. With assistance, place the bumper on the truck and use the provided  $\frac{1}{2}$ " bolts with flat and lock washers to fasten the bumper to the frame with the already installed nut plates. (50255-HW). (Fig 11)

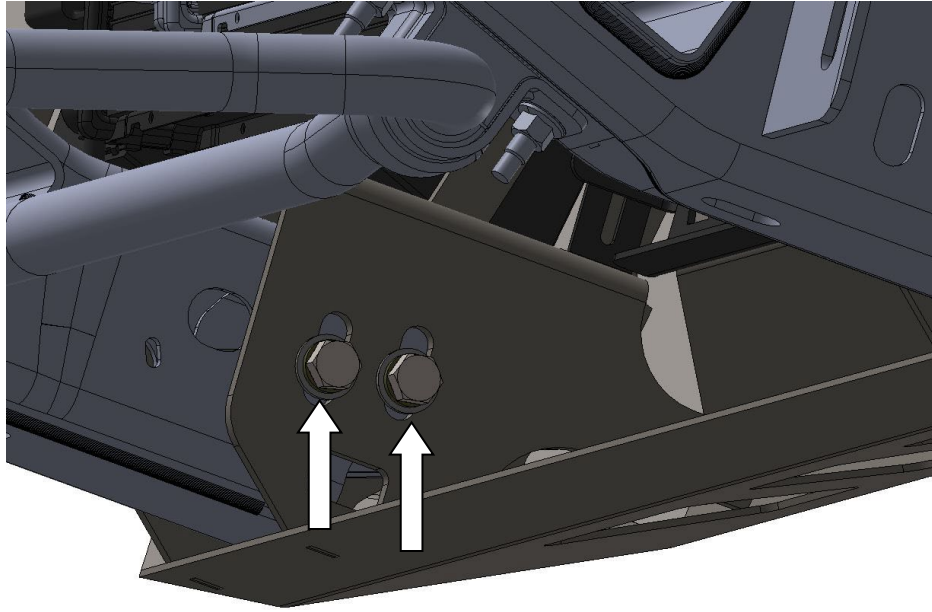


Figure 11

11. Adjust the bumper as desired and tighten all mounting hardware.

# INSTALLATION INSTRUCTIONS

## MAINTENANCE / CARE

1. Inspect all parts on the winch, winch mount, and related hardware prior to each use. Replace all hardware that appears rusted or deformed.
2. Inspect all nuts and bolts on the winch, winch mount, and related hardware prior to each use. Tighten all nuts that appear to be loose. Stripped, fractured, or bent bolts or nuts need to be replaced.
3. Check all cables prior to use. Replace cables that look worn or frayed.
4. Check all moving or rotating parts. Remove debris that may inhibit the part from moving freely.

**CARELESS INSTALLATION AND OPERATION CAN RESULT IN SERIOUS INJURY OR EQUIPMENT DAMAGE. READ AND UNDERSTAND ALL SAFETY PRECAUTIONS AND OPERATING INSTRUCTIONS BEFORE INSTALLING AND OPERATING THIS PRODUCT.**



Learn more about off-road bumpers we have.