



INSTALLATION INSTRUCTIONS

Ascent-HD Front Bumper

Part Number: 10700X

Application: 2019+ Dodge Ram HD

GENERAL SAFETY PRECAUTIONS

Your safety, and the safety of others, is very important. To help you make informed decisions about safety, we have provided installation and operating instructions and other information on labels and in this guide. This information alerts you to potential hazards that could hurt you or others. It is not possible to warn you about all potential hazards associated with this product, you must use your own good judgment.

CARELESS INSTALLATION AND OPERATION CAN RESULT IN SERIOUS INJURY OR EQUIPMENT DAMAGE. READ AND UNDERSTAND ALL SAFETY PRECAUTIONS AND OPERATING INSTRUCTIONS BEFORE INSTALLING AND OPERATING THIS PRODUCT.

This guide identifies potential hazards and has important safety messages that help you and others avoid personal injury or death. **WARNING** and **CAUTION** are signal words that identify the level of hazard. These signal words mean:

▲WARNING signals a hazard that could cause serious injury or death, if you do not follow recommendations. **▲CAUTION** signals a hazard that may cause minor to moderate injury, if you do not follow recommendations.

This guide uses **NOTICE** to call attention to important mechanical information, and **Note**: to emphasize general information worthy of special attention.

▲ WARNING

IMPACT AND MOVING PARTS ENTANGLEMENT HAZARD

Failure to observe these instructions could lead to severe injury or death

- **Always** Know Your Winch. Take time to fully read the Instructions and/or Operations Guide, and/or Basic Guide to Winching Techniques, in order to understand your winch and its operations.
- **Never** work under vehicle before properly securing vehicle.
- **Always** use appropriate and adequate care in lifting components into place.
- **Never** work under vehicle before properly securing vehicle.
- **Always** use appropriate and adequate care in lifting components into place.
- **Never** use a jack to support the vehicle.
- **Always** use jack stands in pairs to support the vehicle.
- **Always** use jacks or jack stands only on a hard, stable, and level surface.
- **Never** exceed the rated capacity of a jack or jack stands.
- **Always** verify that the parking brake is set, the transmission is in park (automatic) or reverse (manual) and the rear wheels are blocked before working on vehicle.
- **Never** work under vehicle before properly securing vehicle.
- **Always** use appropriate and adequate care in lifting components into place.
- **Always** insure components will remain secure during installation and operation.
- **Always** tighten all nuts and bolts securely, per the installation and operation.
- **Always** perform regular inspections and maintenance on the winch, winch mount and related hardware.
- **Always** replace all worn or damaged parts before operating.
- **Never** operate this WARN product with damaged or missing parts.
- **Always** use extreme caution when drilling on any vehicle. Make sure that all fuel lines, brake lines, electrical wires, and other objects are not punctured or damaged when/if drilling on the vehicle. Thoroughly inspect the area to be drilled (on both sides of material) prior to drilling, and relocate any objects that may be damaged. Failure to inspect the area to be drilled may result in vehicle damage, electrical shock, fire or personal injury.
- **Always** use extreme caution when cutting and trimming during fitting.
- **Always** wear safety glasses when installing this kit. A drilling operation will cause flying metal chips. Flying chips can cause eye injury.
- **Always** remove jewelry and wear eye protection.
- **Never** lean over battery while making connections.
- **Never** route electrical cables across any sharp edge, through or near moving parts, near parts that become hot.

Read installation and operating instructions thoroughly.

⚠ CAUTION

MOVING PARTS ENTANGLEMENT HAZARD

Failure to observe these instructions could lead to minor or moderate injury

- Part edges may be sharp!
- Always use proper posture / lifting technique or get lifting assistance while handling and installing product.

Read installation and operating instructions thoroughly.

NOTICE

EQUIPMENT DAMAGE

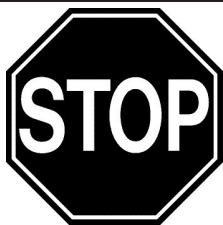
- **Never** tow vehicle by attaching a tow bar to the eyelets on the bumper.
- Do not attach tow bars directly to the bumper. Damage to bumper may occur. WARN bumpers are not designed to be used for flat towing. Consult with the manufacturer of your tow bar system for the proper vehicle tow bar brackets..

Read installation and operating instructions thoroughly.

BEFORE YOU BEGIN

- **BEFORE YOU BEGIN READ INSTALLATION INSTRUCTION THOROUGHLY.**

NOTICE



This product may interfere with driver assist systems such as adaptive cruise control and parking assist systems that have sensors or cameras installed in the bumpers or front grill area. If your vehicle is equipped with any of these systems or features, consult your vehicle owner's manual before installing this product. These systems may need to be disabled as a result of installing this product.

TABLE OF CONTENTS

Tools Required	page 2
Torque Specifications	page 2
Parts List	page 3
Installation	page 4-13
Maintenance/Care	page 14

TOOLS REQUIRED

- | | | |
|---------------------|----------------------|----------------------------|
| - Standard wrenches | - 3/4" Drive Ratchet | - Torque wrench |
| - Standard sockets | - 1/2" Drive Ratchet | - Phillip head screwdriver |
| - Metric socket set | - Metric wrench set | - Allen head wrench |

TORQUE SPECIFICATIONS

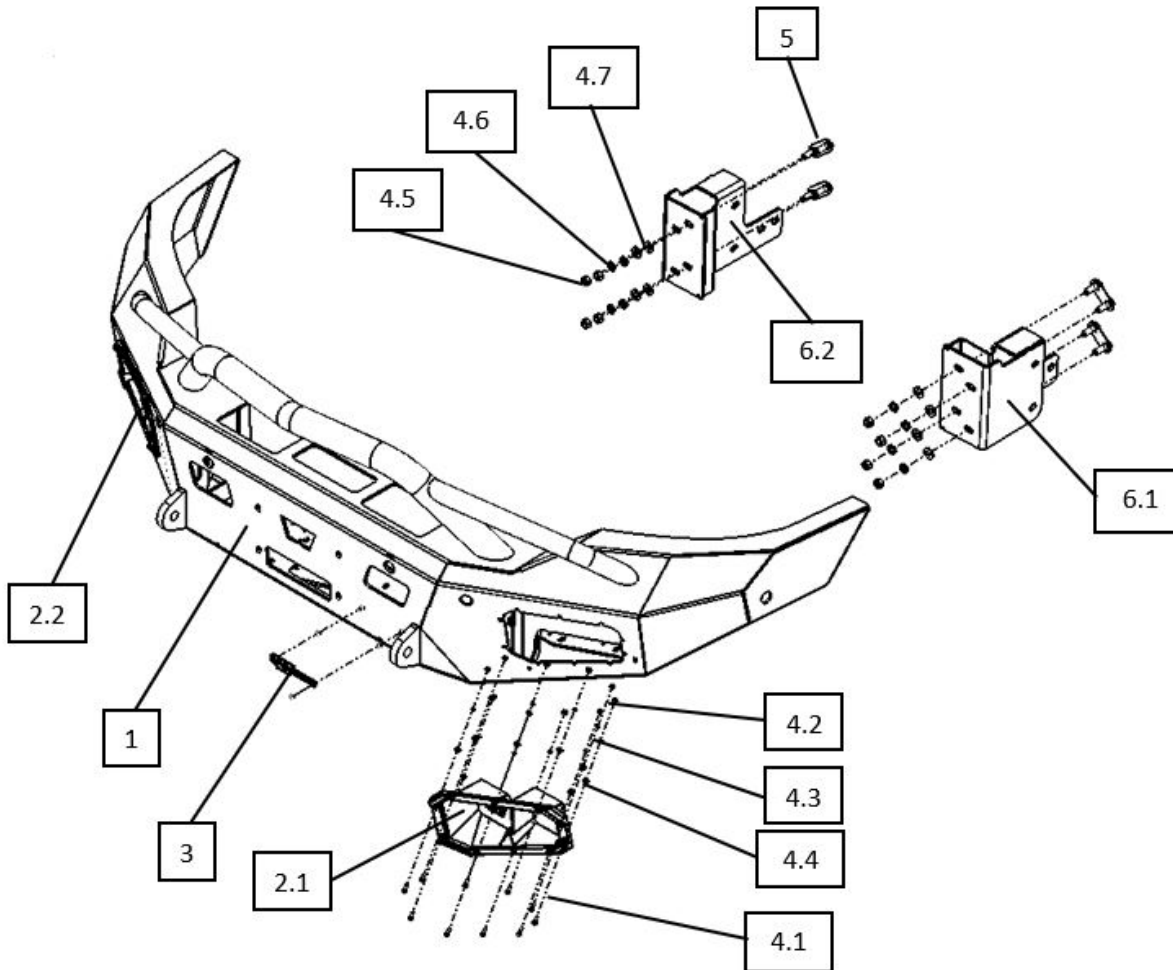
Please use the recommended torque specifications when assembling this product unless otherwise specified in the instructions.

FASTENER SIZE	FASTENER TORQUE		FASTENER SIZE	FASTENER TORQUE	
	lb-ft	(N.m)		lb-ft	(N.m)
1/4"	8	(11)	M4	(2)	3
5/16"	17	(23)	M5	(4.5)	6
3/8"	30	(40)	M6	(7.5)	10
7/16"	48	(66)	M8	(18)	25
1/2"	74	(100)	M10	(37)	50
9/16"	106	(144)			
5/8"	148	(200)			
3/4"	269	(364)			

INSTALLATION INSTRUCTIONS

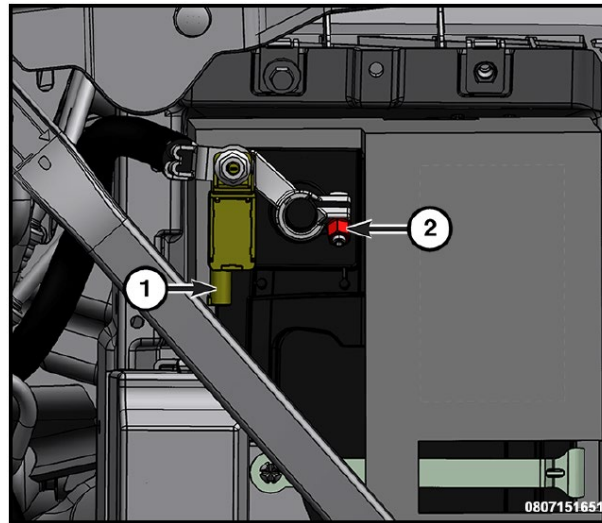
PARTS LIST

ITEM	PART NO.	DESCRIPTION	QTY	ITEM	PART NO.	DESCRIPTION	QTY
1	10700X	WARN Ascent HD 2019-20Dodge Ram HD Bumper	1	6.2	22256-W	10700X PS mounting bracket	1
2.1	94888	Light Insert RH	1				
2.2	94889	Light Insert LH	1				
3	102483	WARN Ascent DS Label	1				
4	50249-HW	WARN Dodge Ram HD HW Kit	1				
4.1	101064	10-24X3/4 Button head bolt (<i>not all shown</i>)	20				
4.2	101065	10-24 Machine screw nut	20				
4.3	101072	#10 Split lock washer	20				
4.4	101067	#10 Flat washer	20				
4.5	100601	½-13 Hex head nut	8				
4.6	100604	½ Lock washer	8				
4.7	100606	½ Flat washer	8				
4.8	100624	1 3/8 Rubber grommet	6				
4.9	100638	Plastic plug	6				
5	20296	½" Bolt strip	4				
6.1	22255-W	10700X DS mounting bracket	1				



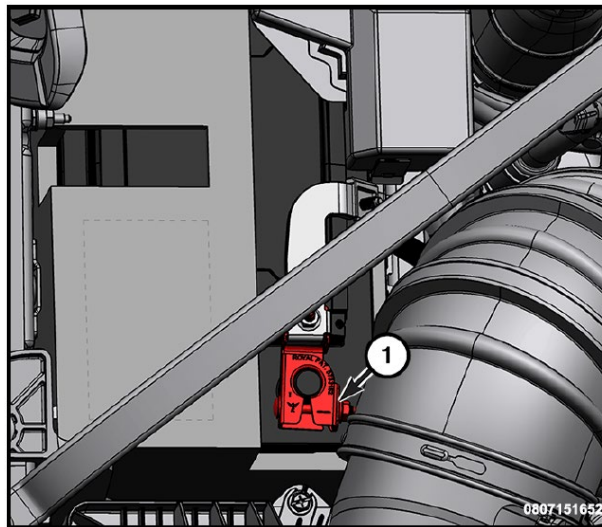
INSTALLATION INSTRUCTIONS

1. Disconnect the IBS sensor connection from sensor on the negative battery terminal. (Fig. 1, #1)
2. Using a 10mm socket wrench, disconnect the negative terminal from the battery. (Fig. 1, #2)



(Figure 1)

3. If applicable, disconnect the negative terminal from the auxiliary battery. (Fig. 2)

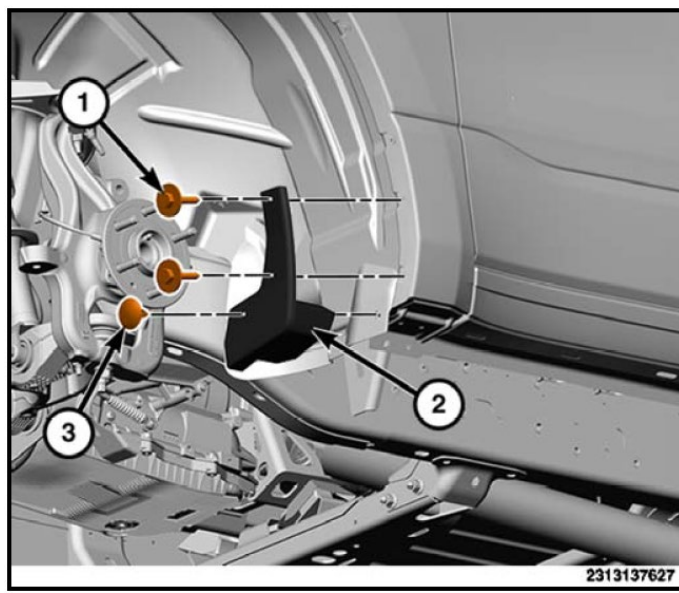


(Figure 2)

INSTALLATION INSTRUCTIONS

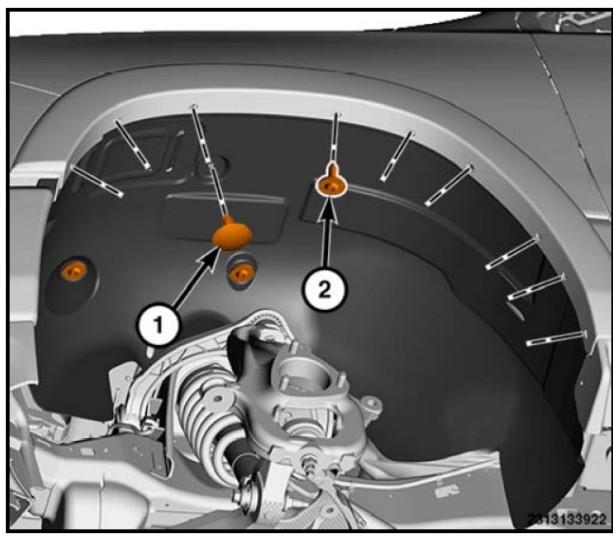
****Note: Driver side shown and passenger side disassembly process is similar****

4. Using an 8mm Socket wrench and plastic panel pry tool, remove the two (2) screws and one (1) push pin from the rear splash shield trim. (Fig. 3)

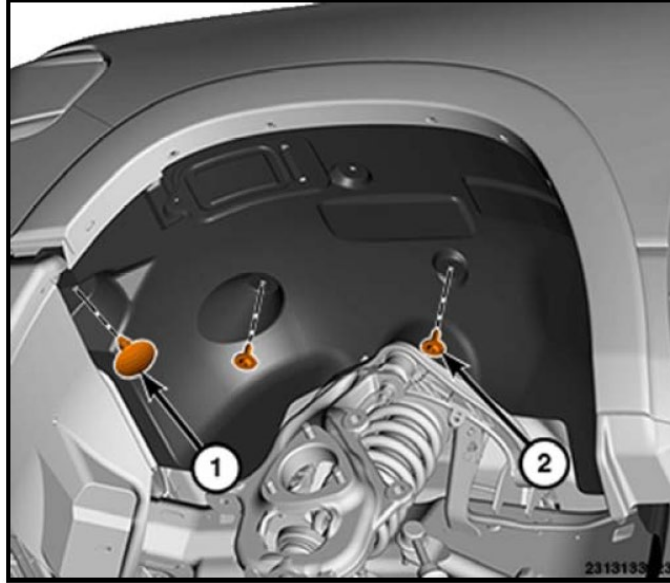


(Figure 3)

5. Using an 10mm socket wrench and plastic panel pry tool, remove the twelve (12) screws and two (2) push pins from the inner fender and set aside for trimming. (Fig. 4 - 5)

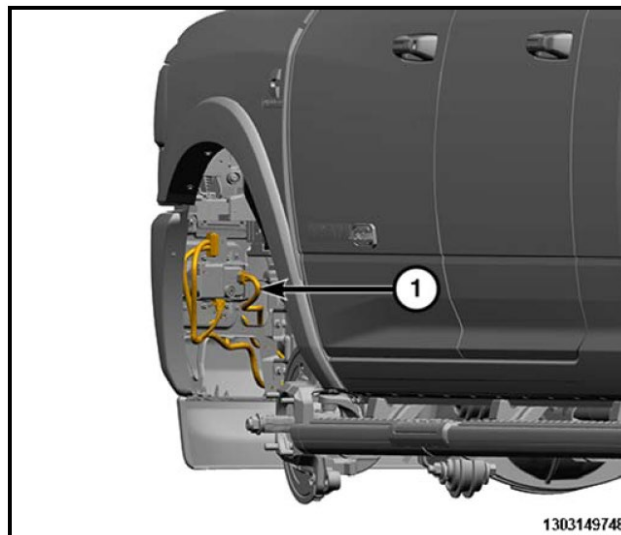


(Figure 4)



(Figure 5)

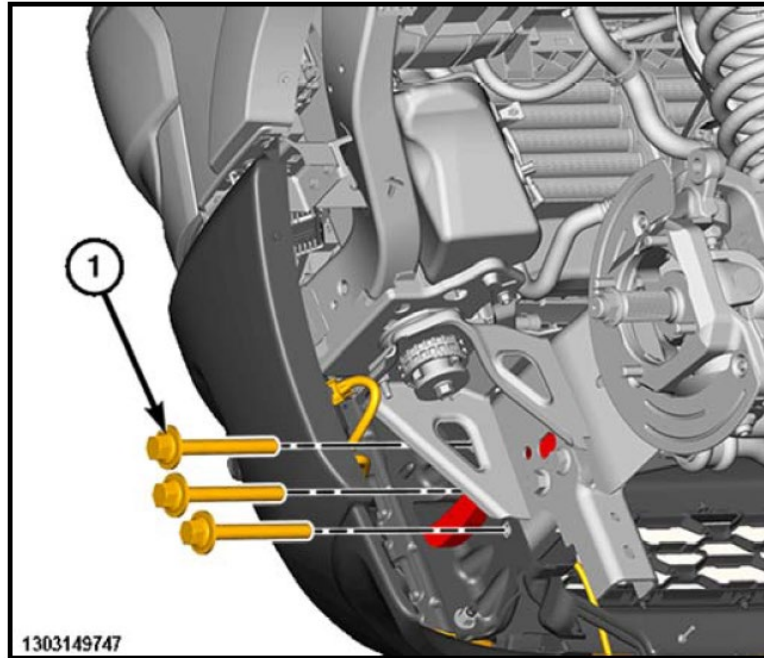
6. Disconnect the factory wiring harness from the inside of the driver side wheel well (Fig. 6)



(Figure 6)

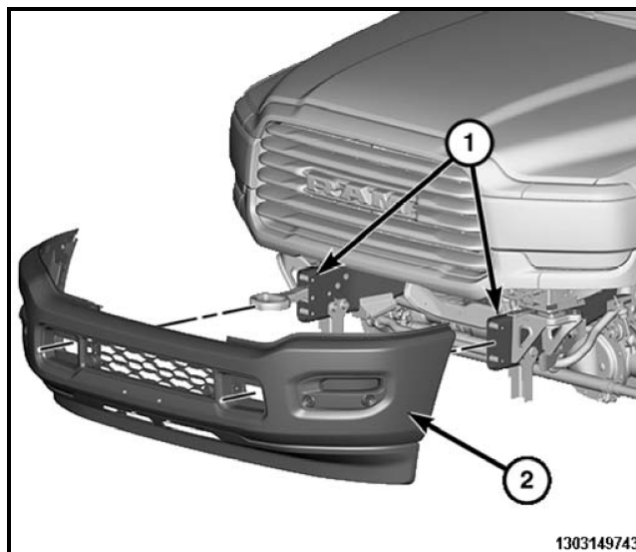
INSTALLATION INSTRUCTIONS

7. With assistance, support the bumper from both sides of the vehicle. Using an 18mm socket wrench, 24mm socket wrench and 18mm open end wrench, remove the three factory bumper bolts that hold the factory bumper to the frame rail. (Fig. 7)



(Figure 7)

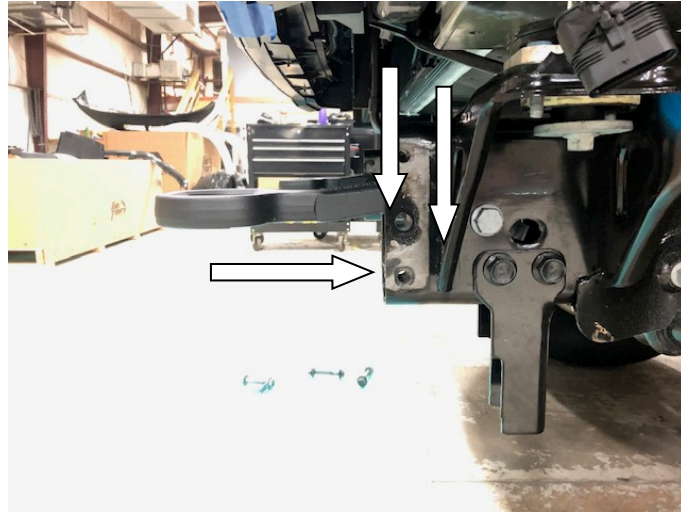
8. ****Note: The factory tow hooks stay in the frame rail while extracting the front bumper from the rail ends****
9. Remove the factory bumper from the vehicle and set aside. (Fig. 8)



(Figure 8)

INSTALLATION INSTRUCTIONS

10. Using a 24mm socket wrench, remove the factory bolt and nut tabs from the frame rail to remove the factory tow hooks and crash bars. (Fig. 9)

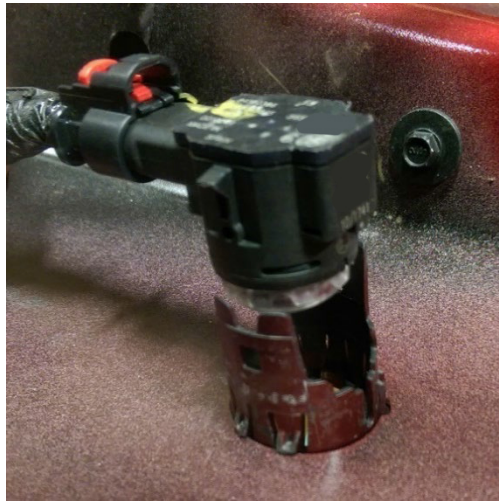


(Figure 9)

11. Remove the factory tow hooks.
12. Unclip the factory wiring harness from the six (6) front sensors and two (2) fog lights.
13. Remove the sensor from the sensor housing by expanding both sides of the sensor housing and lifting up. (Fig. 10-11)

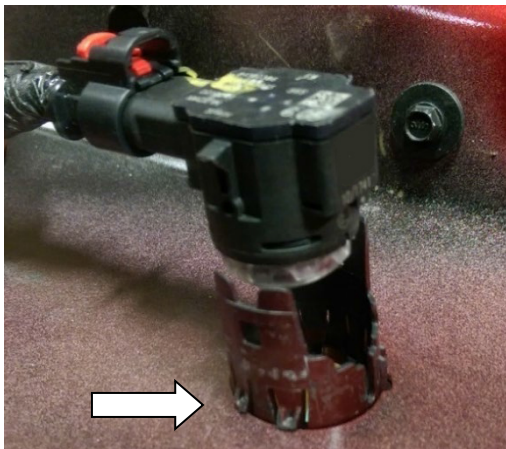


(Figure 10)



(Figure 11)

14. Remove the sensor housing from the bumper by depressing the four (4) tabs while pulling outward from the outside of the bumper. (Fig. 12-13)



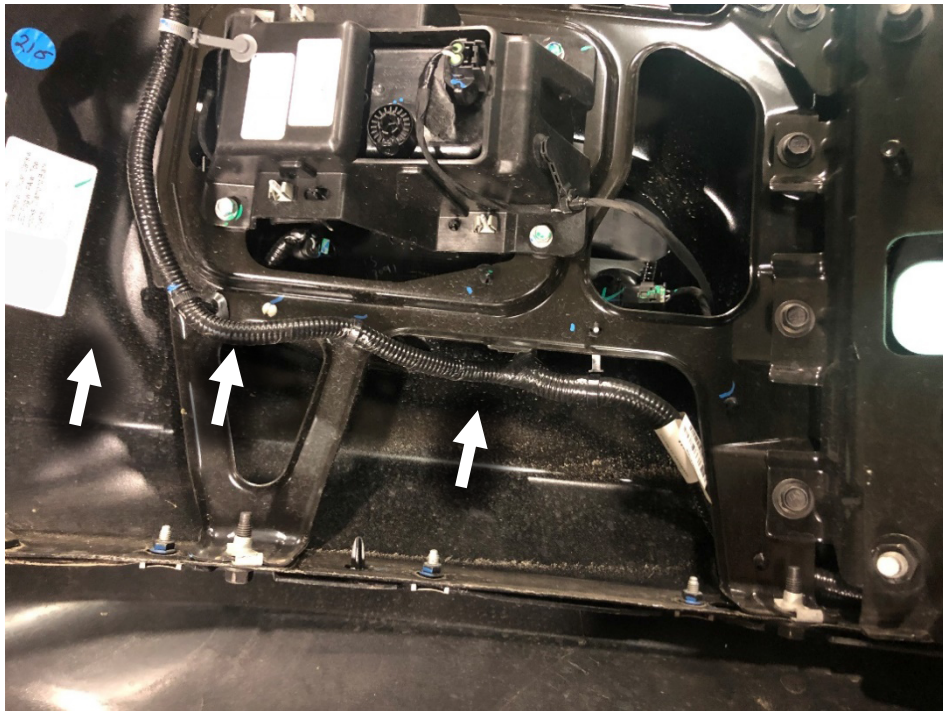
(Figure 12)



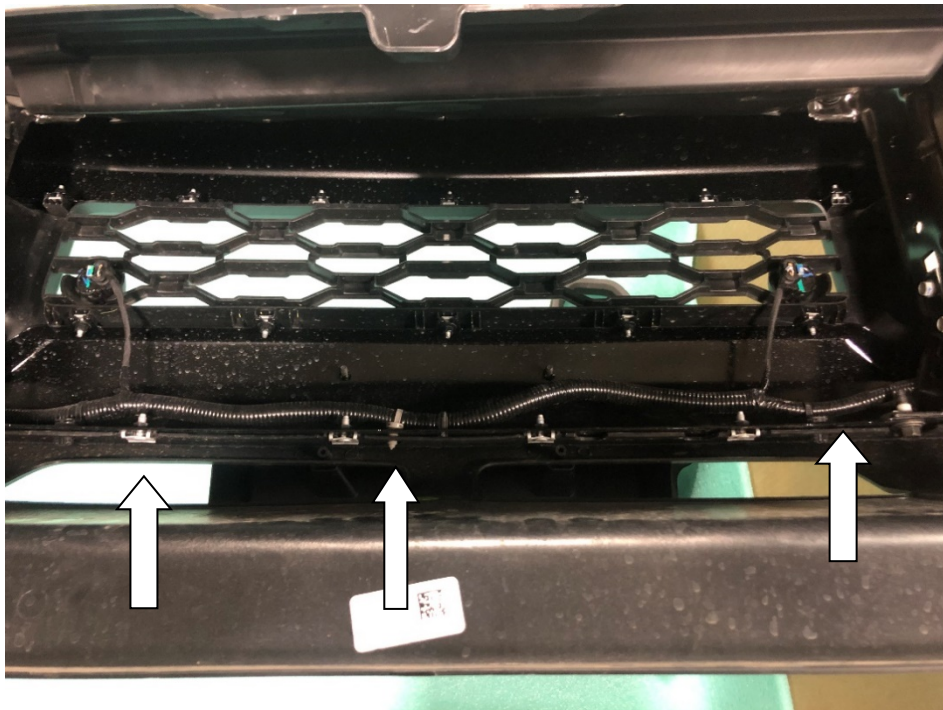
(Figure 13)

INSTALLATION INSTRUCTIONS

15. Using a plastic panel pry tool, begin removing the factory wiring harness from the factory bumper by unclipping the various push pins. (Fig. 14-15)



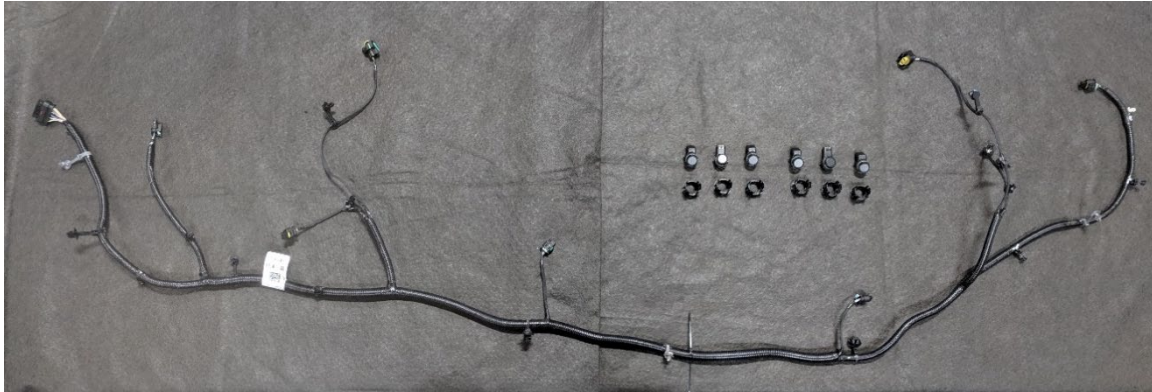
(Figure 14)



(Figure 15)

INSTALLATION INSTRUCTIONS

16. Remove the factory wiring harness and set aside. (Fig. 16)



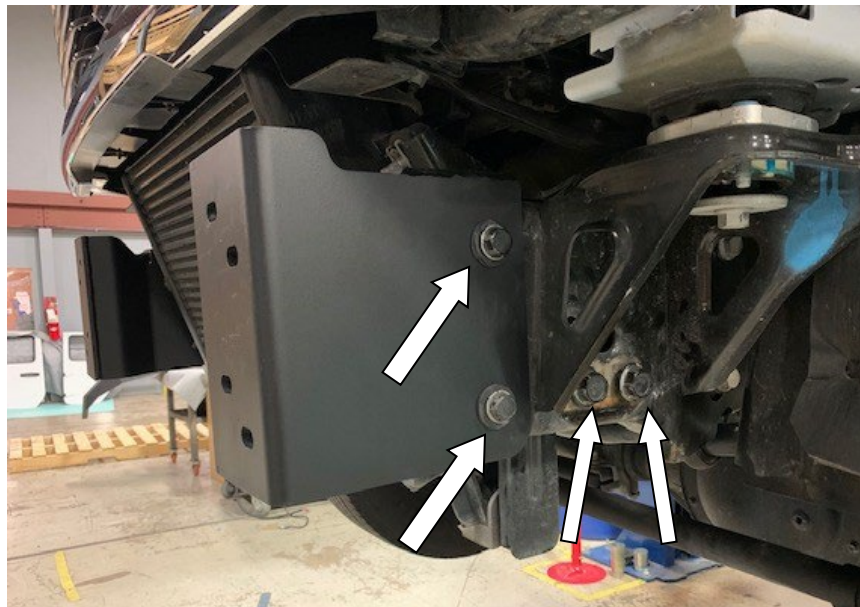
(Figure 16)

17. **Optional:** If you are installing a winch with this bumper installation, do so now. Use the bracket or clamps supplied with the winch to mount the control pack; be sure to install the winch ground strap before installing the winch in the bumper. Once the control pack is installed on the winch, insert the winch into the bumper. The control pack should be facing up with the four front mounting holes facing forward.

Insert the winch by first tipping the end with the clutch lever up and inserting the control pack end in the bumper first. Then insert the clutch lever end in the bumper. Use the hardware supplied with the winch to properly mount the winch to the bumper. Follow the instructions supplied with the winch for the proper bolt location. The winch comes with two different length 7/16" bolts, so read the instructions with the winch to ensure the proper locations

If not installing a winch, a license plate may be installed onto the front face of the bumper. (Hardware not included.)

18. Use the OEM hardware removed during steps 7 and 9 to install the mounting brackets (22255-22256). (Fig. 17)



(Figure 17)

INSTALLATION INSTRUCTIONS

19. Using the provided epoxy, secure all six (6) OEM sensor housings in their appropriate sensor cutout in the bumper. (Fig. 18)

****Note: If you do not have sensors you will insert the grommets supplied in the hardware kit****

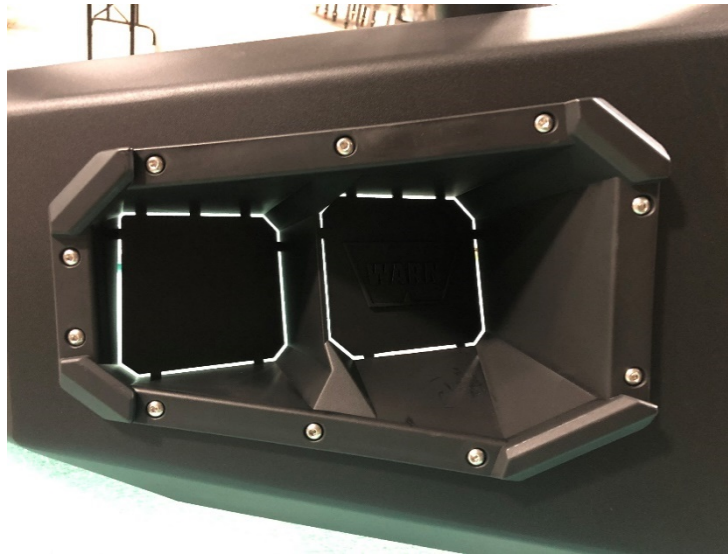


(Figure 18)

20. After the epoxy has cured, fully seat all six (6) sensors into the sensor housings being mindful not to distort the rubber sensor isolator that sits around the sensor tip. Be sure both sides of the sensor housing are fully clipped on the sensor.

21. Route and zip tie the factory wiring harness to the bumper with the main factory connector being on the passenger wing.

22. Install the provided light inserts (94888 and 94889) using the #10 hardware along with a 10mm wrench and 3mm Allen wrench. (Fig. 19).



(Figure 19)

INSTALLATION INSTRUCTIONS

23. With assistance hold the bumper up to the mounting brackets and use the provided (4) 1/2" Bolt strips (20296) with the 1/2" zinc nuts and washers to attach the bumper with a 3/4" socket wrench (50235-HW). (Fig. 20)



(Figure 20)

24. Align bumper as desired and fully tighten all mounting hardware.

INSTALLATION INSTRUCTIONS

MAINTENANCE / CARE

1. Inspect all parts on the winch, winch mount, and related hardware prior to each use. Replace all hardware that appears rusted or deformed.
2. Inspect all nuts and bolts on the winch, winch mount, and related hardware prior to each use. Tighten all nuts that appear to be loose. Stripped, fractured, or bent bolts or nuts need to be replaced.
3. Check all cables prior to use. Replace cables that look worn or frayed.
4. Check all moving or rotating parts. Remove debris that may inhibit the part from moving freely.

CARELESS INSTALLATION AND OPERATION CAN RESULT IN SERIOUS INJURY OR EQUIPMENT DAMAGE. READ AND UNDERSTAND ALL SAFETY PRECAUTIONS AND OPERATING INSTRUCTIONS BEFORE INSTALLING AND OPERATING THIS PRODUCT.



Learn more about off-road bumpers we have.