



FORD - F-150 2018

INSTALLATION MANUAL

4X FENDER FLARE SET FOR 2018+ F150
PART # : 102019



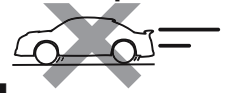
**READ CAREFULLY BEFORE
INSTALLATION**

AFTER INSTALLING

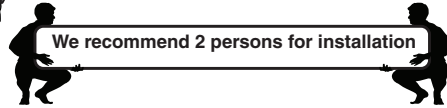
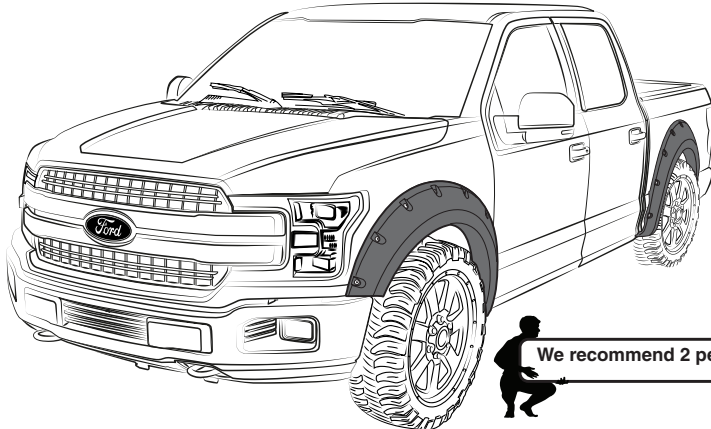
**DO NOT
WASH CAR**



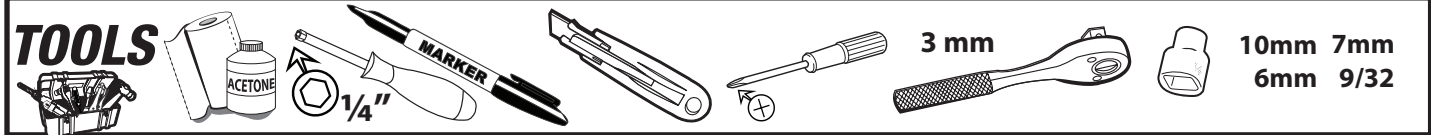
**DRIVE SLOWLY
25 mph max**



24 hrs



TOOLS



CHECK LIST

*Already installed in the part

| ITEM | DESCRIPTION | DRAWING | AMOUNT |
|------|---|---------|--------|
| A | *SUPER BOLTS RUBBER STUDS | | 32 PCS |
| B | *STAINLESS SUPER BOLT M6 X 14 | | 32 PCS |
| C | HEX BOLT M4.2 X 20 | | 18 PCS |
| D | AUTOMOTIVE ADHESION PROMOTER TESA # 60153 | | 1 PC |
| E | APPLICATION SPONGE | | 1 PC |
| F | GREASE PENCIL | | 1 PC |
| G | PVC PROFILE | | 29 FT |
| H | PUSH PINS WÜRTH 46 | | 2 PCS |
| I | S-CLIP | | 6 PCS |
| J | U-CLIP | | 10 PCS |
| K | U-NUT 4.2 MM | | 4 PCS |
| L | THREADLOCKER 3222 | | 1 PC |
| M | BONE FOLDER | | 1 PC |



FORD - F-150 2018

INSTALLATION MANUAL

F-150 MODELS THAT ARE EQUIPPED WITH THE 68T TECHNOLOGY PACKAGE, WILL REQUIRE AN ADAPTATION FOR THE LANE DEPARTURE SENSOR ON THE FRONT WHEEL FLARES. THIS SENSOR IS LOCATED NEAR THE LOWER ROCKER AREA OF THE FRONT FENDER.

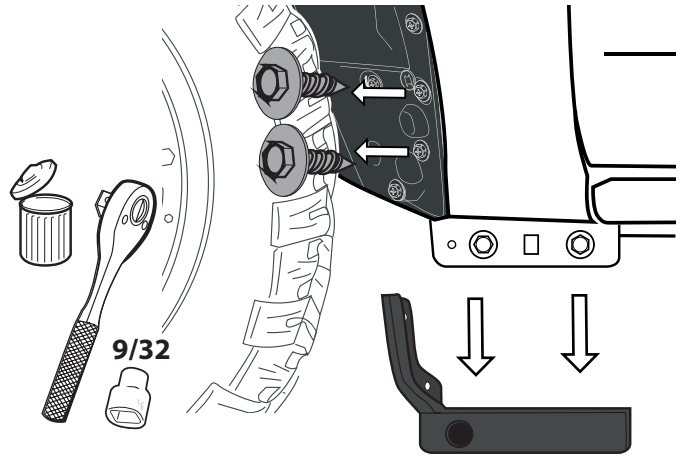
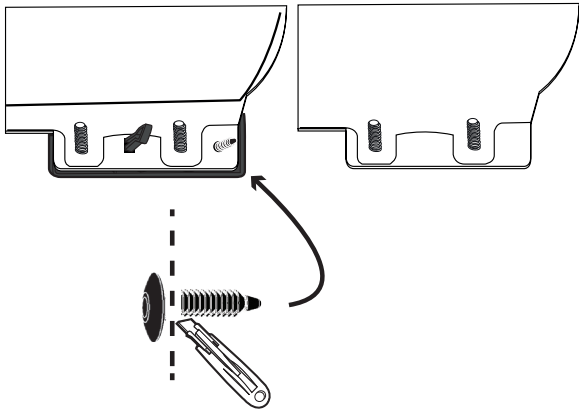
FRONT RIGHT & LEFT FLARE



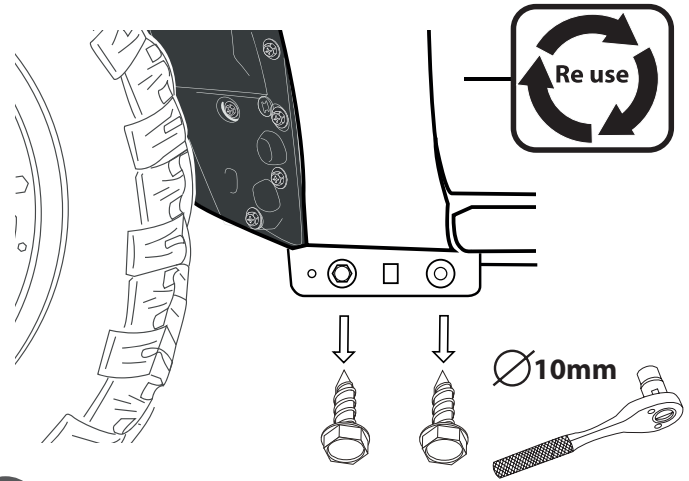
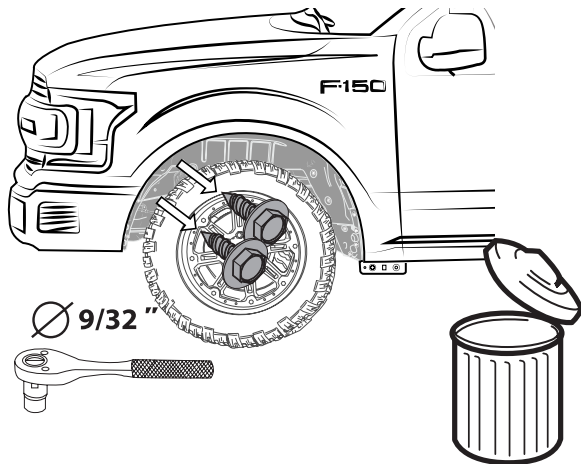
WASH WITH WATER, DETERGENT AND SOFT CLOTH OR SPONGE

1 REMOVE MUD GUARDS

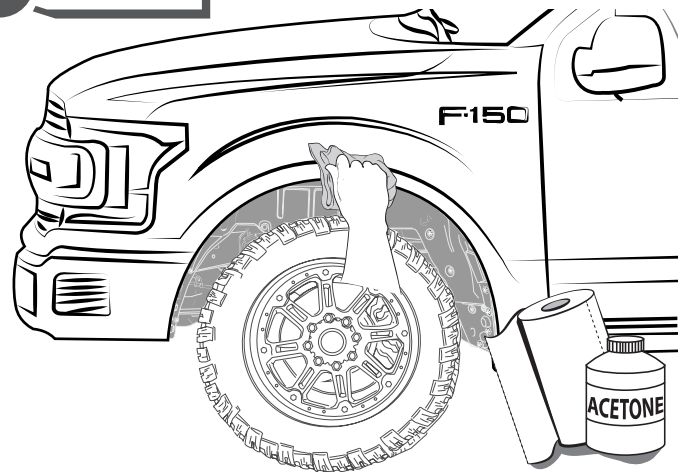
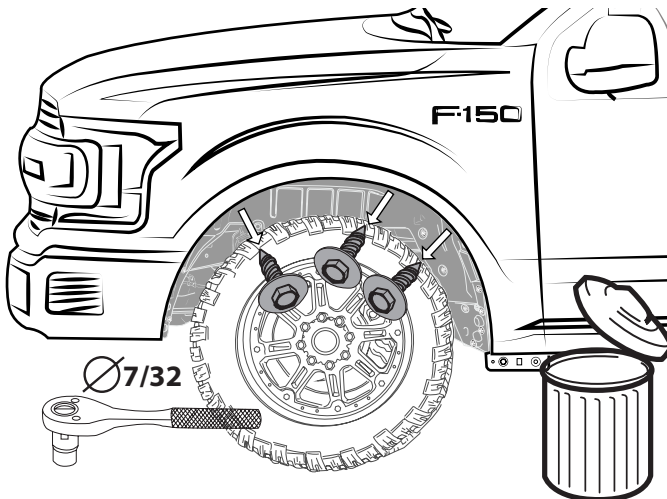
INNER VIEW



2 REMOVE SCREWS



3 CLEAN

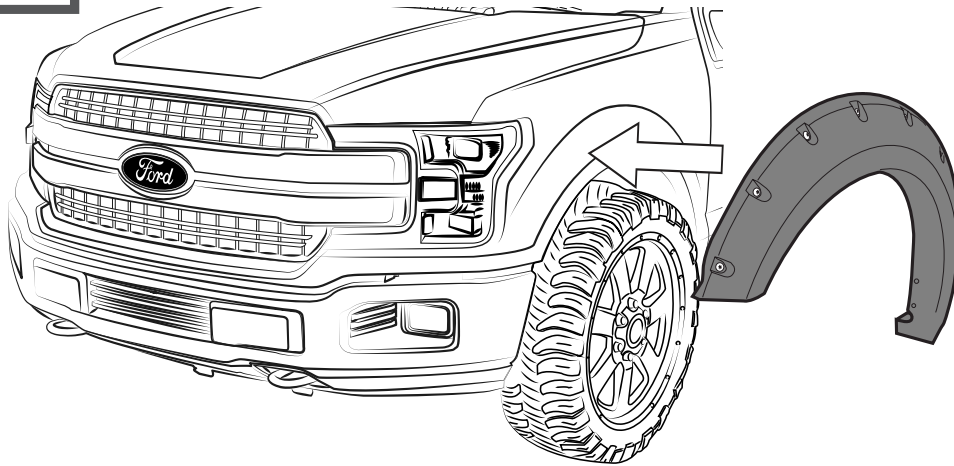




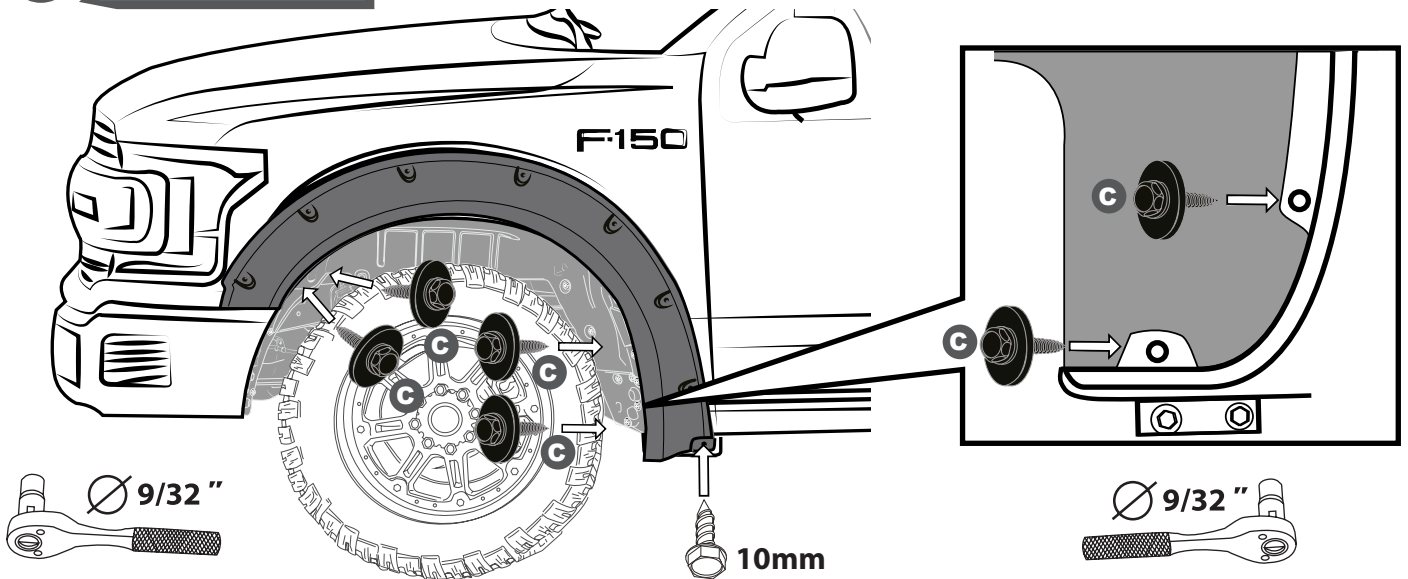
FORD - F-150 2018

INSTALLATION MANUAL

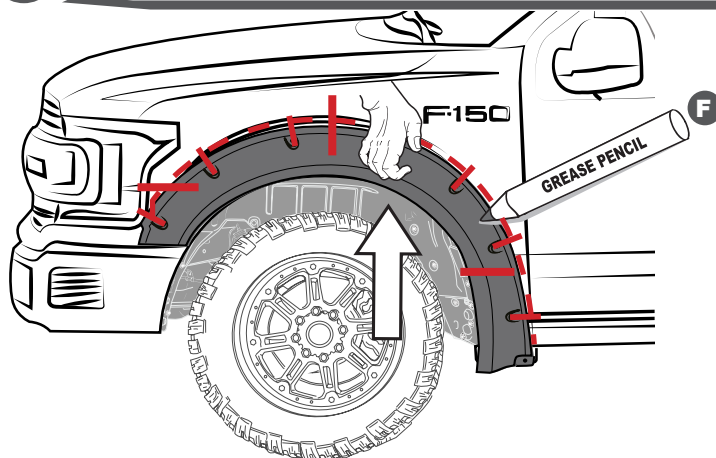
4 PRE-INSTALL



5 SECURE THE PART



6 MARK SILHOUTTE & SUPER BOLTS POSITON



HASH MARKS

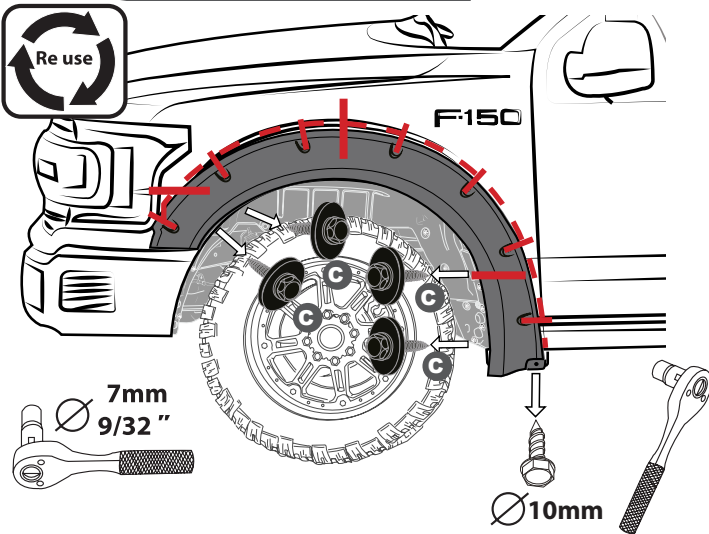
DRAW CENTER HASH MARK WITH GREASE PENCIL AT CENTER, BOTH SIDES, ON EACH SUPER BOLT AND SHEET METAL. THIS WILL ENSURE WHEEL FLARE WILL BE CENTERED TO GREASE PENCIL OUTLINE.



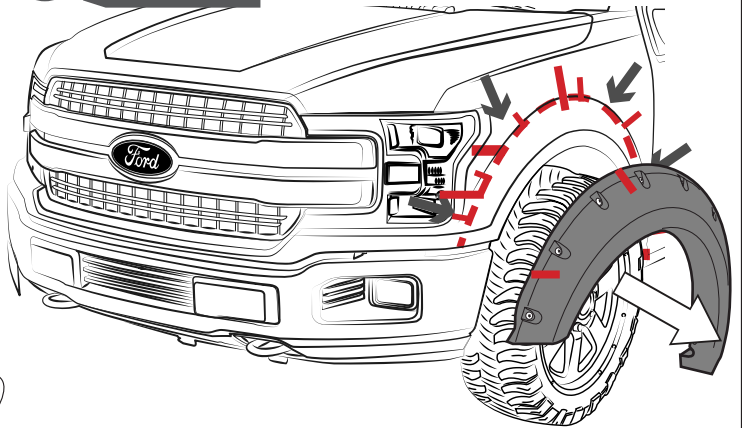
FORD - F-150 2018

INSTALLATION MANUAL

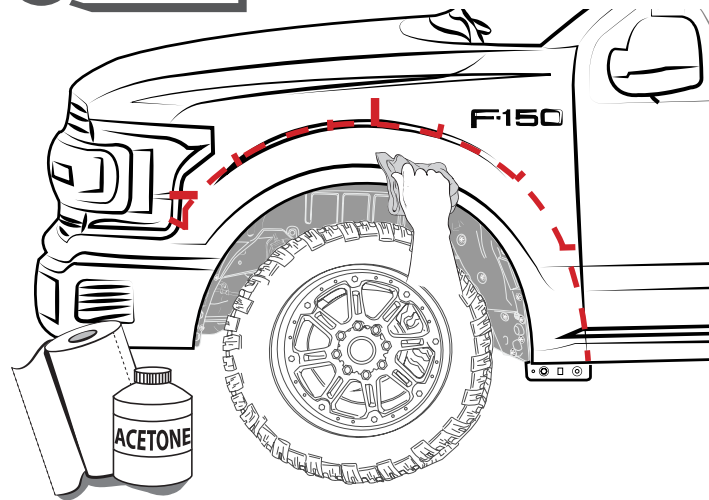
7 UNSCREW & REMOVE



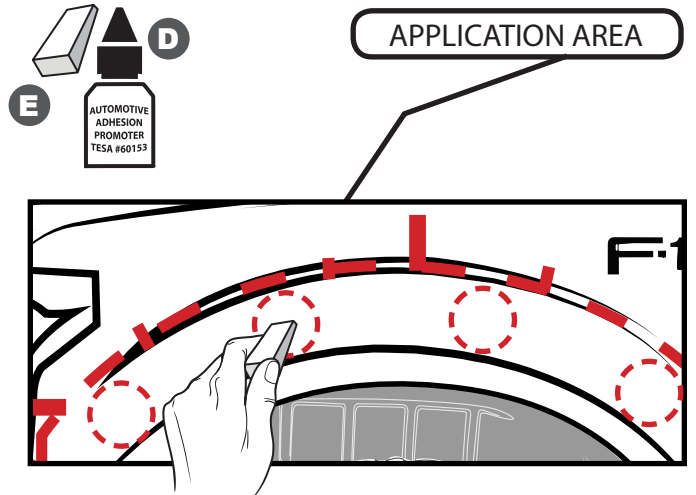
8 REMOVE



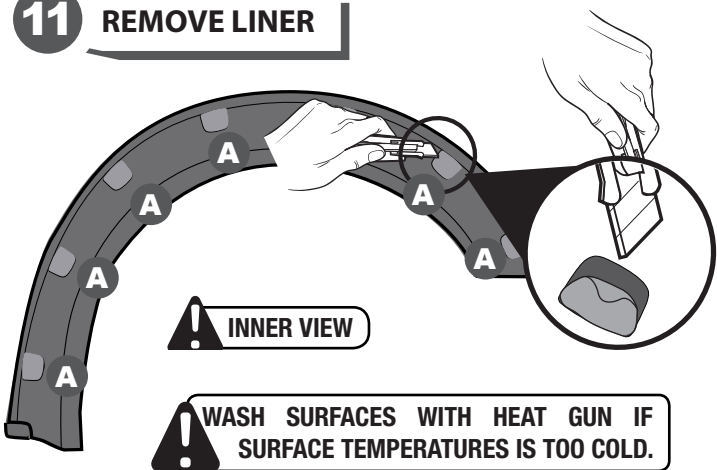
9 CLEAN



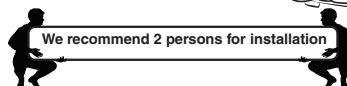
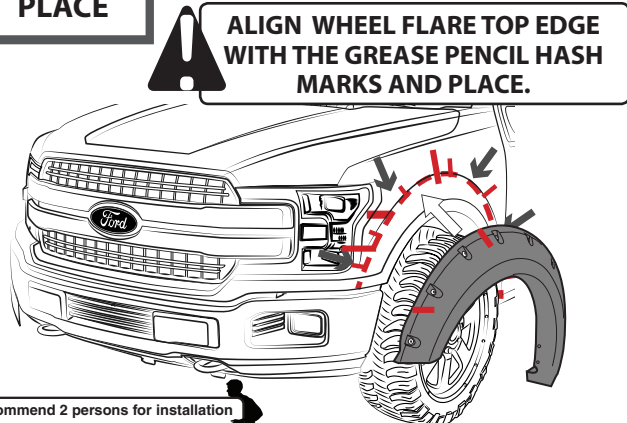
10 ADHESION PROMOTER



11 REMOVE LINER



12 PLACE

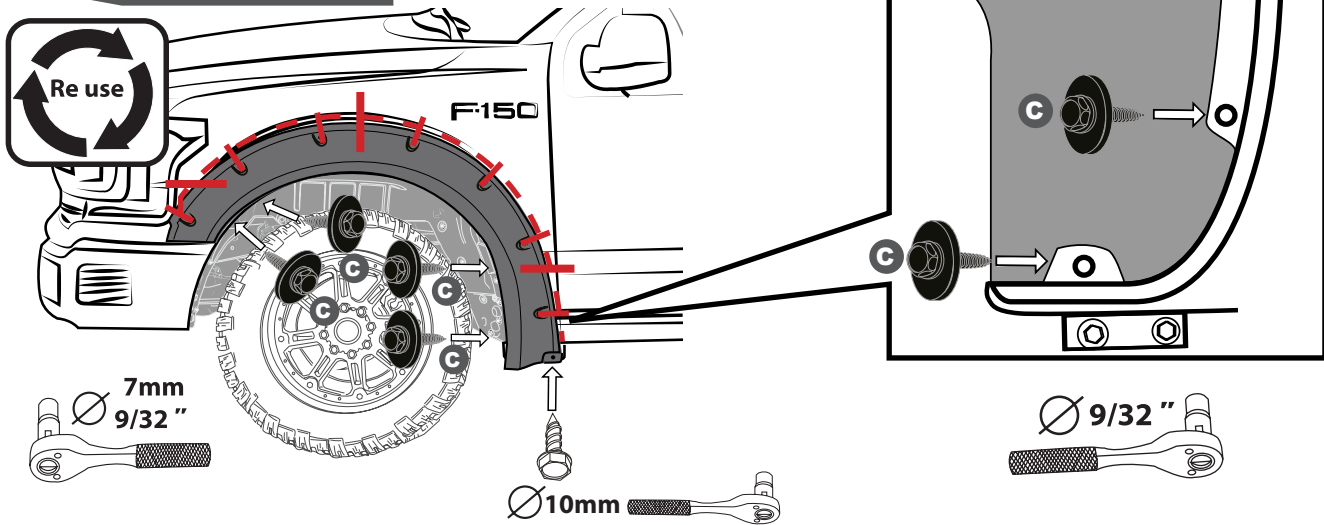




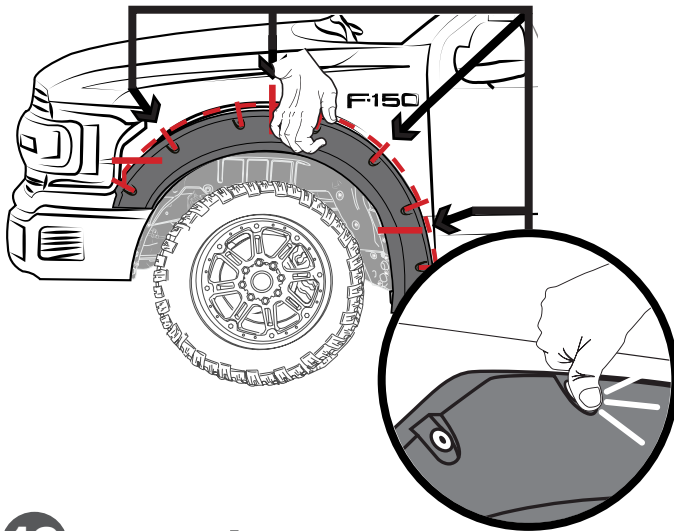
FORD - F-150 2018

INSTALLATION MANUAL

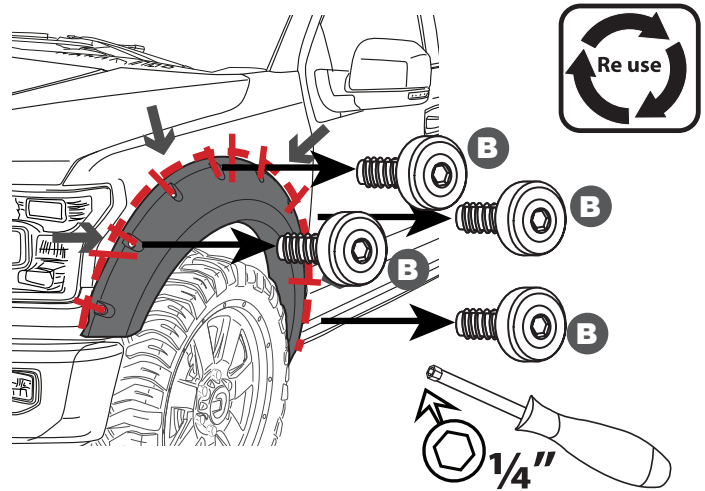
13 SECURE THE PART



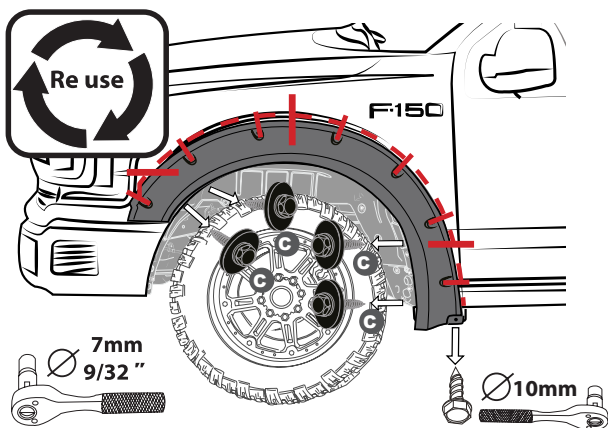
14 APPLY PRESSURE ON EACH SUPERBOLT



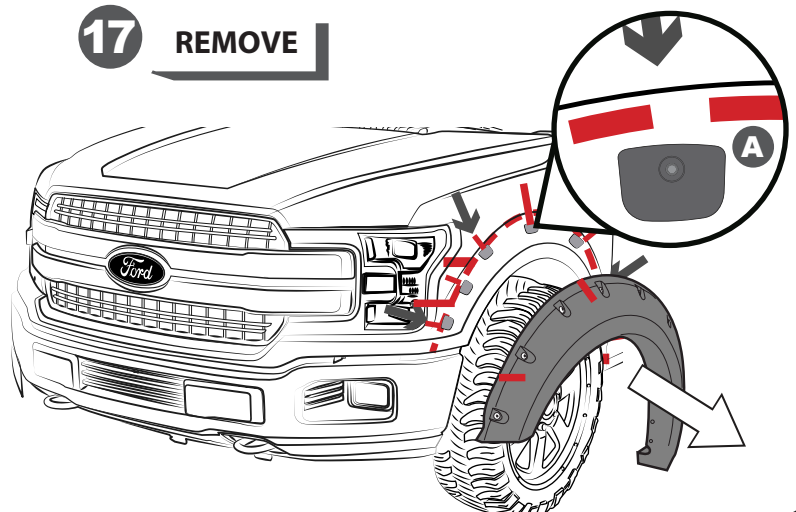
15 REMOVE SUPER BOLTS



16 UNSCREW



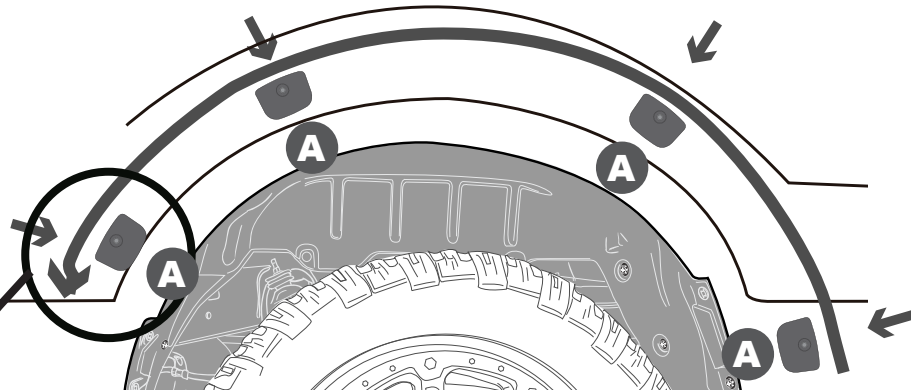
17 REMOVE





SUPER BOLT INSTALLATION

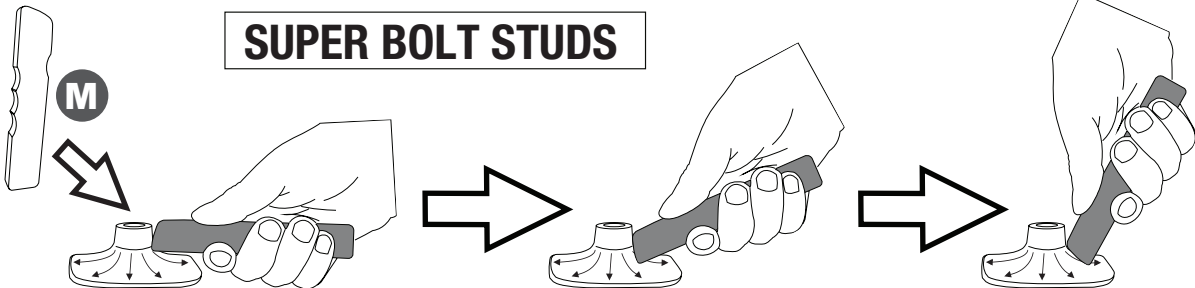
18 PRESS SUPER BOLTS STUDS



ATTENTION

FULL SURFACE CONTACT IS CRITICAL FOR GOOD ADHESION PERFORMANCE. ALWAYS APPLY FIRM PRESSURE WHEN MOUNTING ADD ON PARTS AND TAPES.

SUPER BOLT STUDS



PRESSURE POINTS



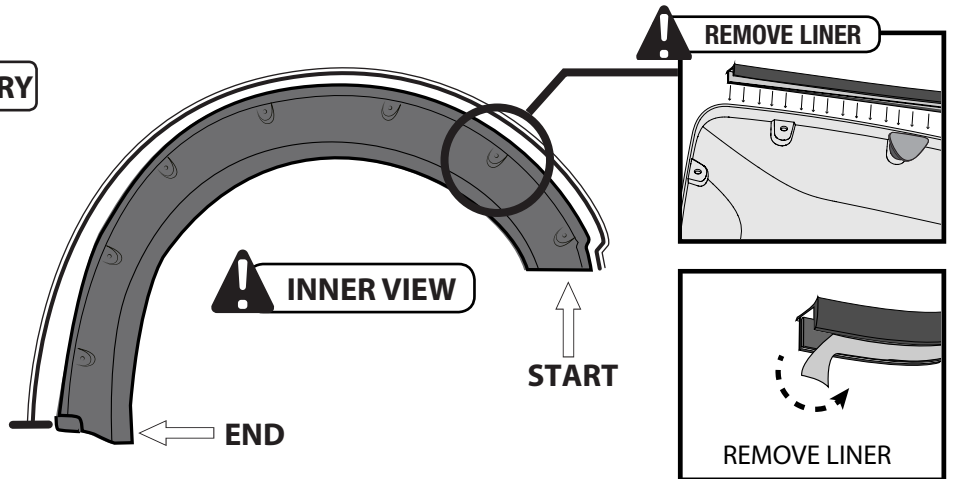
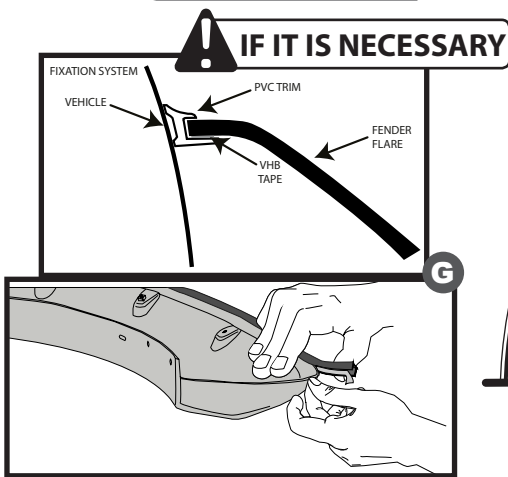
58 - 72 PSI



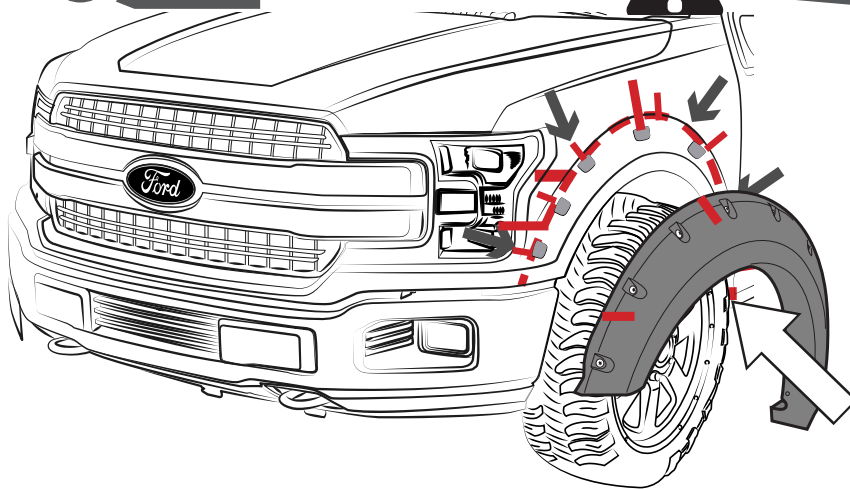
FORD - F-150 2018

INSTALLATION MANUAL

19 PLACE PVC TRIM



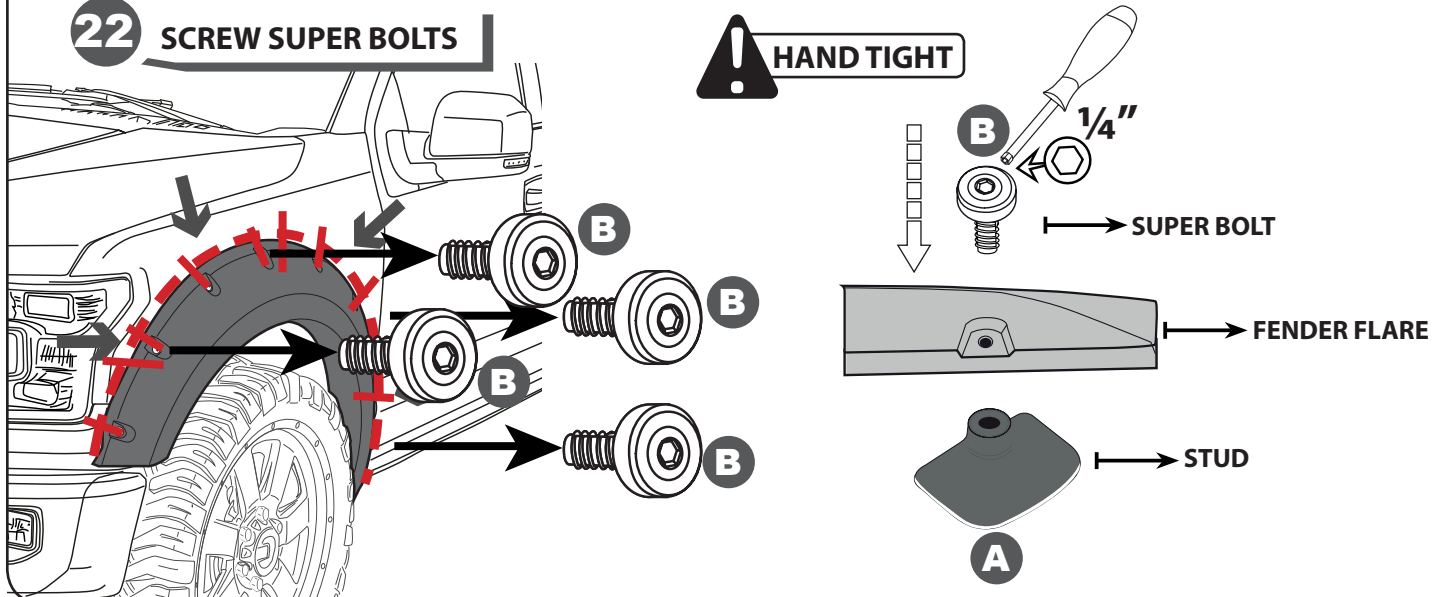
20 PLACE



21 APPLY LOCTITE THREADLOCKER TO SUPER BOLTS THREAD



22 SCREW SUPER BOLTS

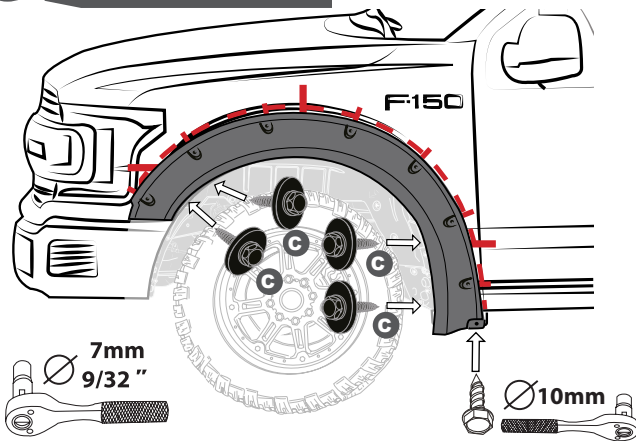




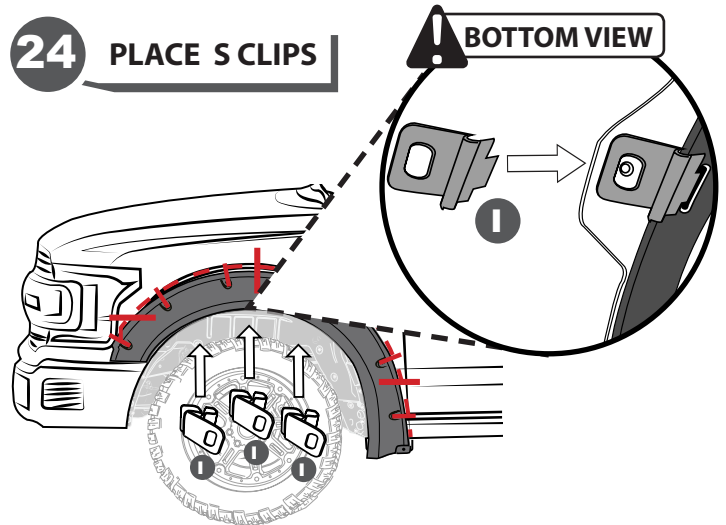
FORD - F-150 2018

INSTALLATION MANUAL

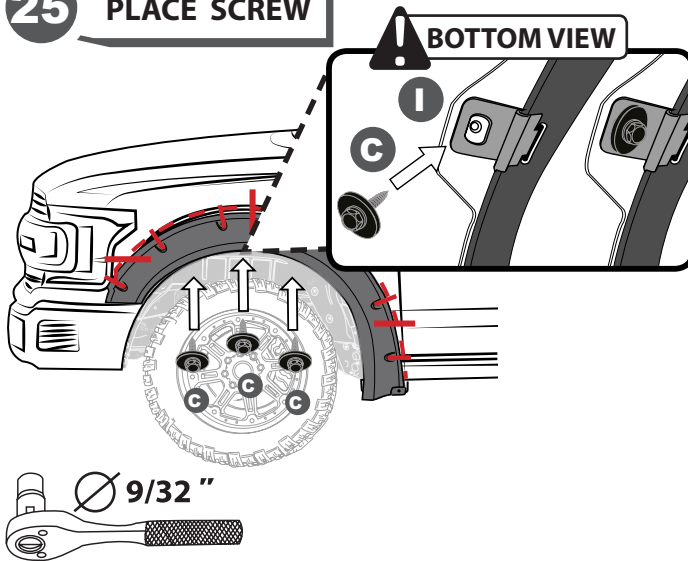
23 SECURE THE PART



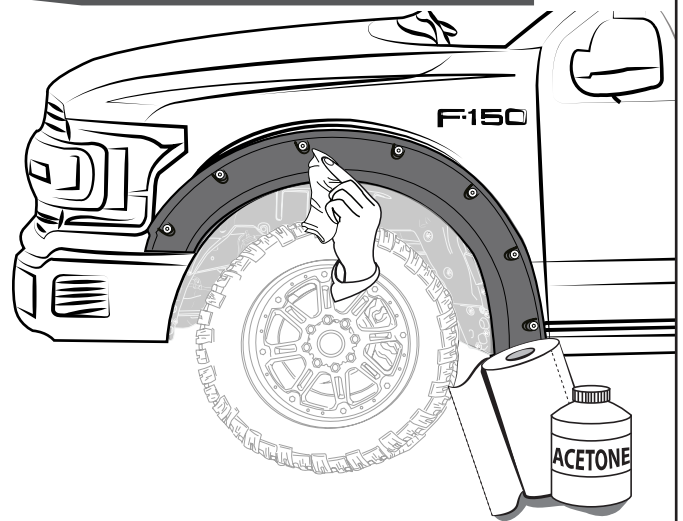
24 PLACE S CLIPS



25 PLACE SCREW

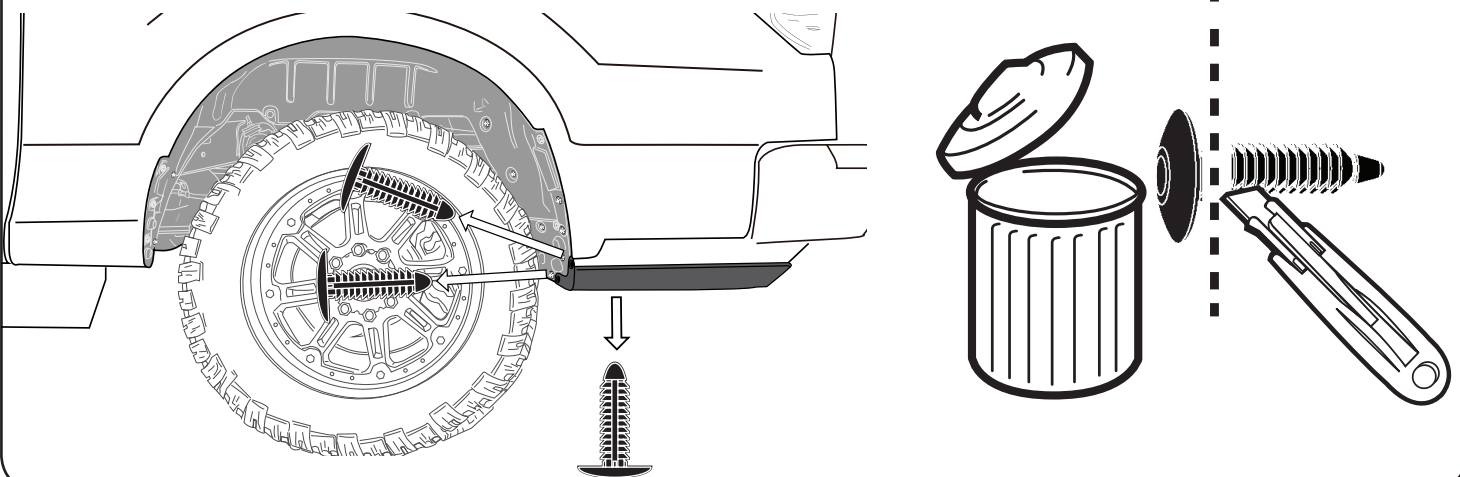


26 CLEAN OFF GREASE PENCIL MARK



REAR RIGHT & LEFT FLARE

27 REMOVE PUSH - PINS

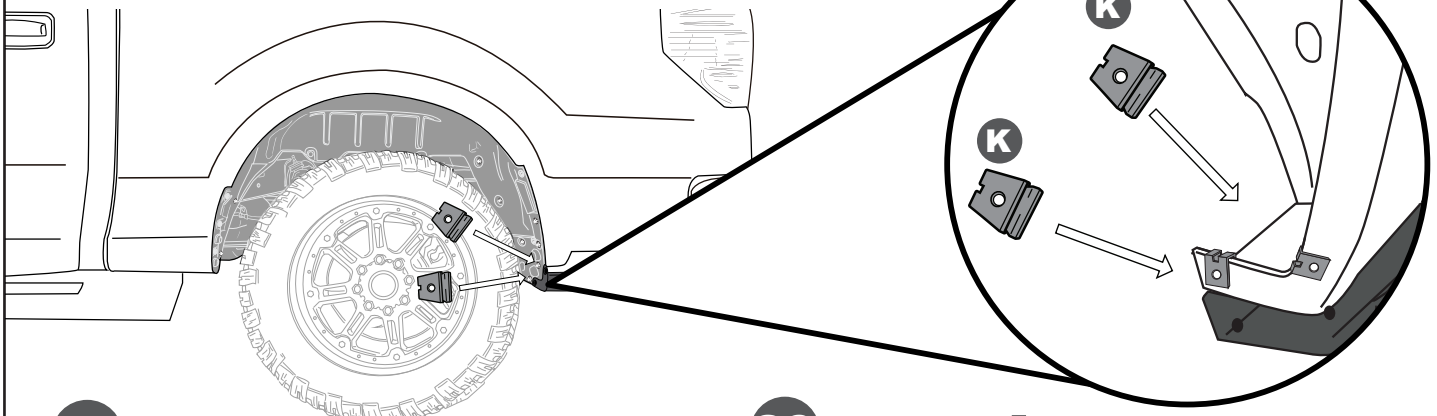




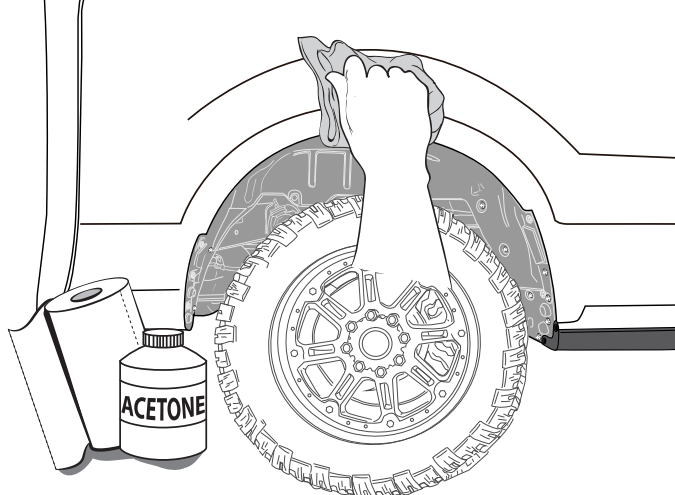
FORD - F-150 2018

INSTALLATION MANUAL

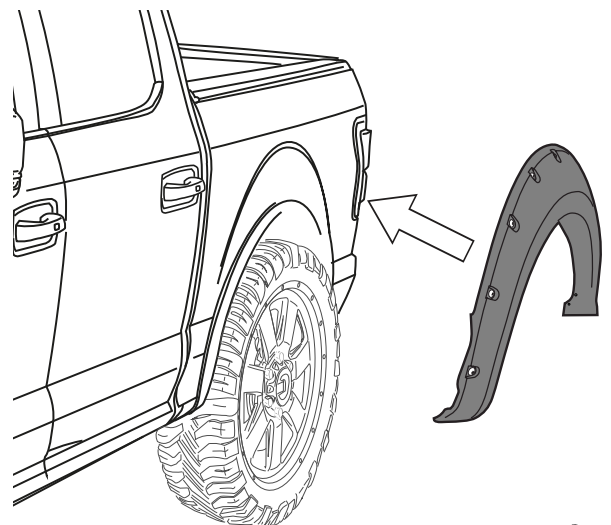
28 PLACE U-NUTS



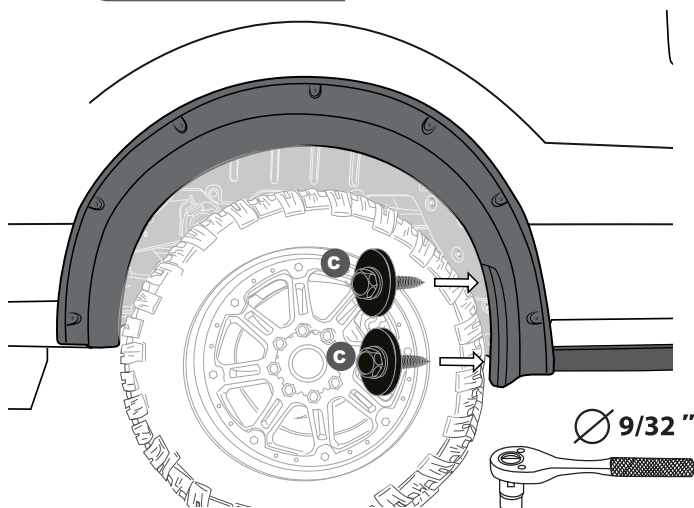
29 CLEAN



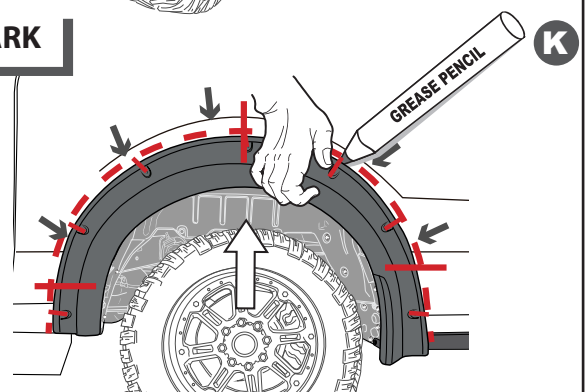
30 PRE-MOUNT



31 SECURE THE PART



32 MARK



! HASH MARKS

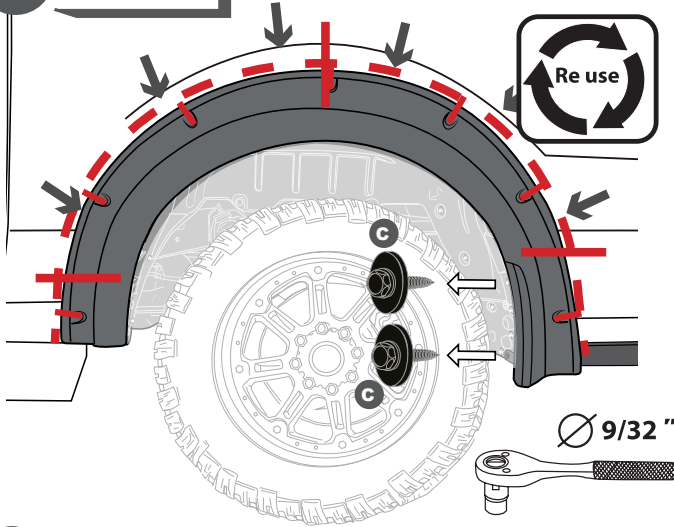
DRAW CENTER HASH MARK WITH GREASE PENCIL AT CENTER, BOTH SIDES, ON EACH SUPER BOLT AND SHEET METAL. THIS WILL ENSURE WHEEL FLARE WILL BE CENTERED TO GREASE PENCIL OUTLINE.



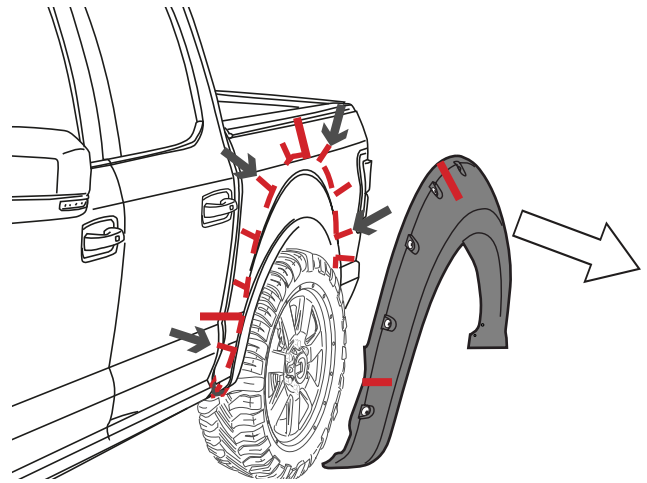
FORD - F-150 2018

INSTALLATION MANUAL

33 UNSCREW



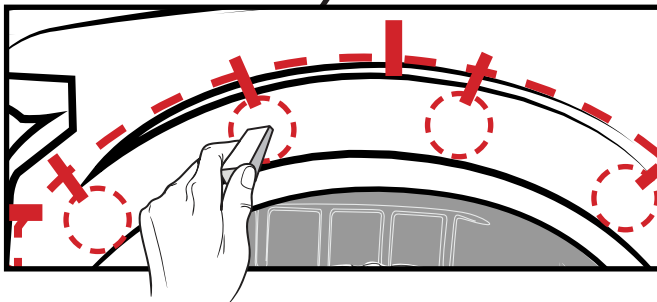
34 REMOVE



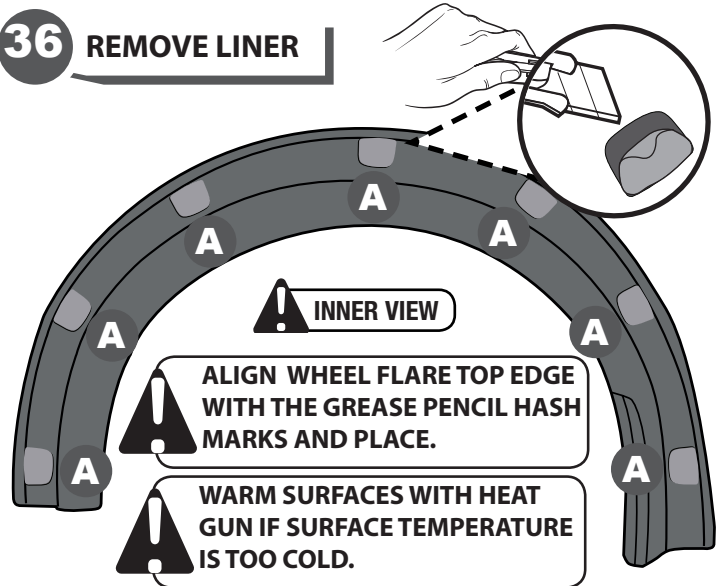
35 ADHESION PROMOTER



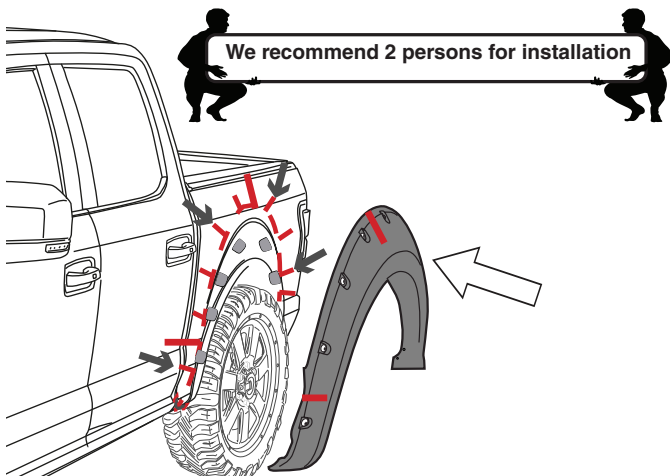
APPLICATION AREA



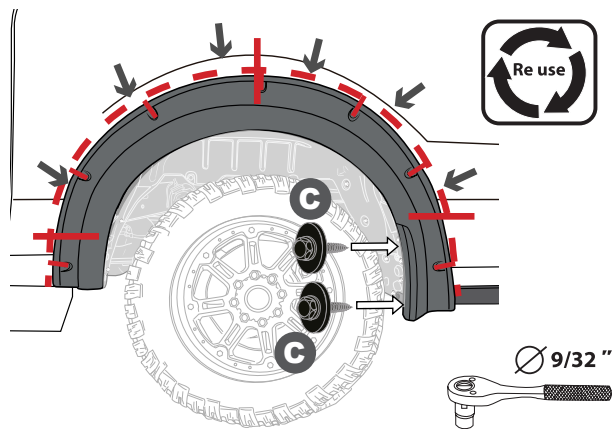
36 REMOVE LINER



37 PRE-MOUNT



38 SECURE THE PART

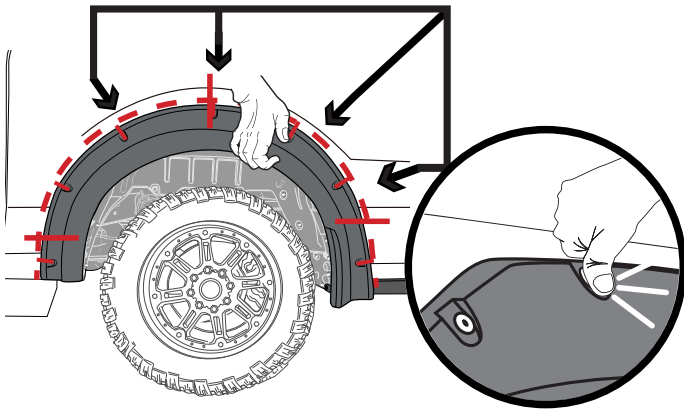




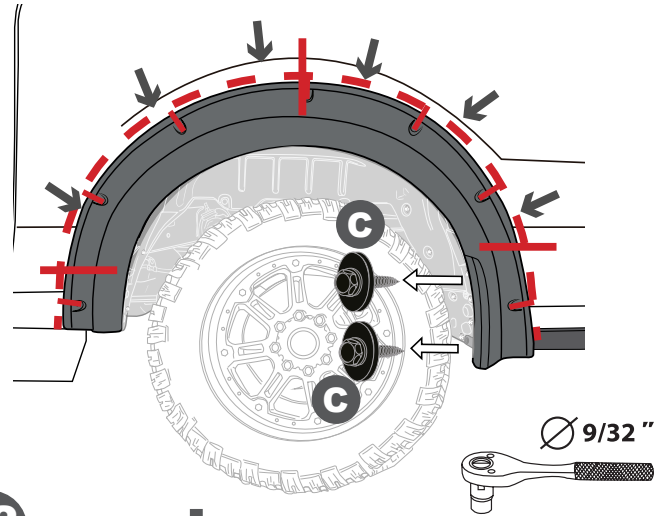
FORD - F-150 2018

INSTALLATION MANUAL

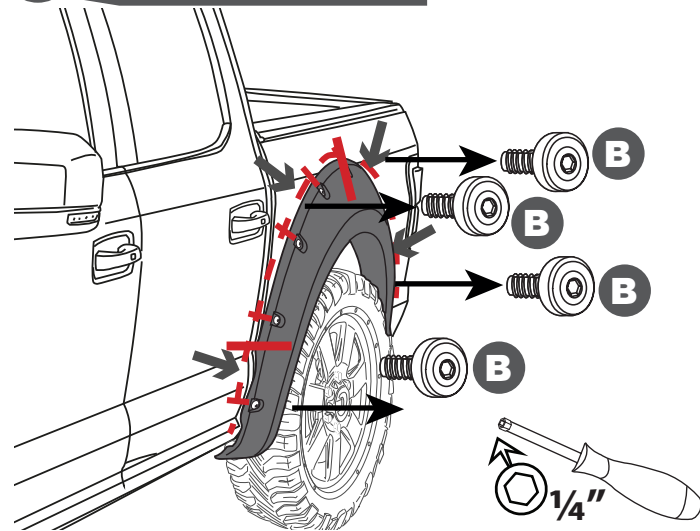
39 APPLY PRESSURE ON EACH SUPERBOLT



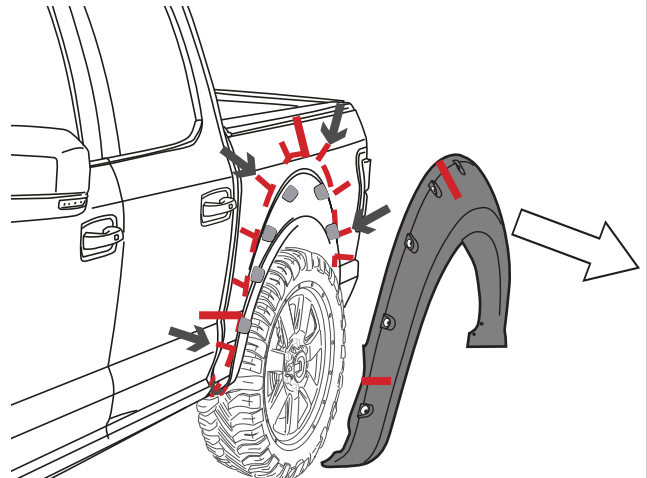
40 UNSCREW



41 REMOVE SUPER BOLTS



42 REMOVE

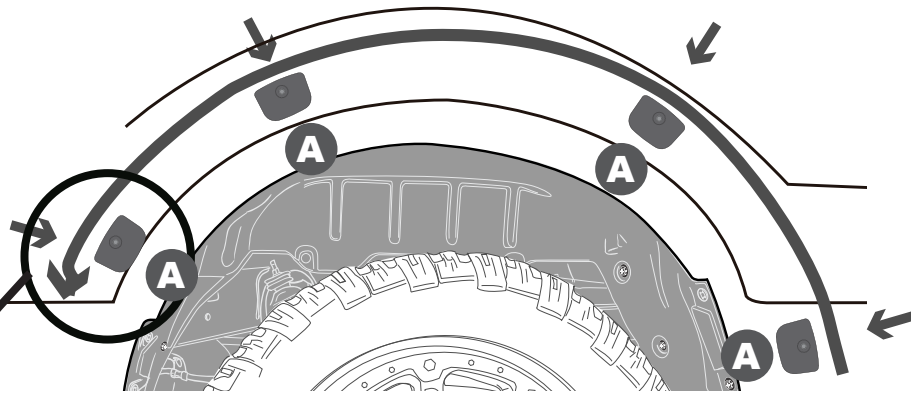




SUPER BOLT INSTALLATION

43

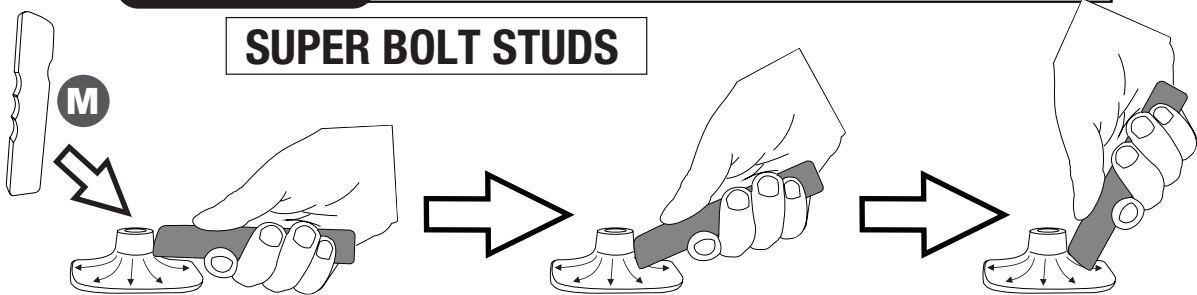
PRESS SUPER BOLTS STUDS



ATTENTION

FULL SURFACE CONTACT IS CRITICAL FOR GOOD ADHESION PERFORMANCE. ALWAYS APPLY FIRM PRESSURE WHEN MOUNTING ADD ON PARTS AND TAPES.

SUPER BOLT STUDS



PRESSURE POINTS



58 - 72 PSI

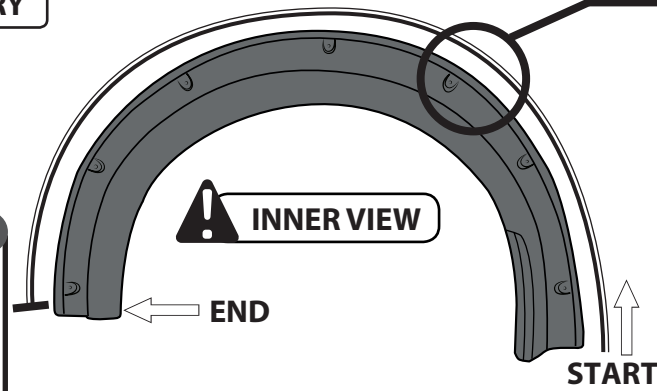
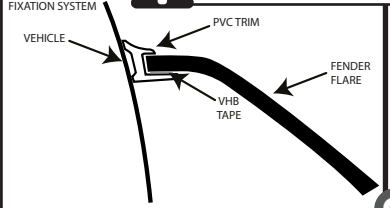


FORD - F-150 2018

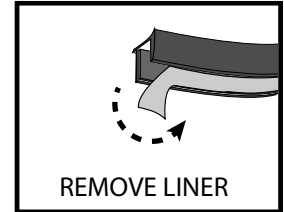
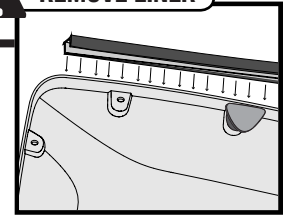
INSTALLATION MANUAL

44 PLACE PVC TRIM

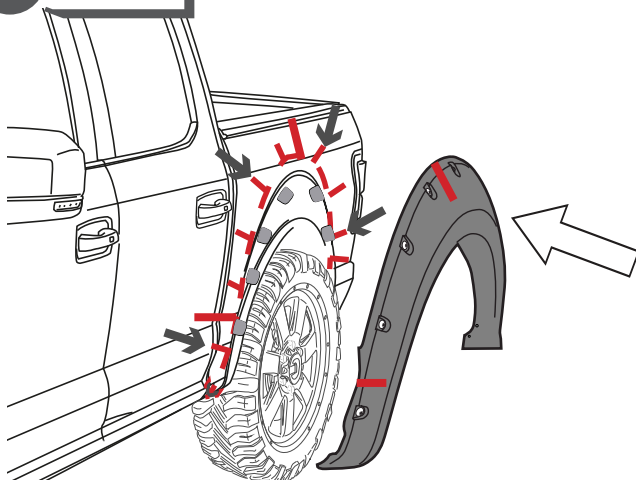
IT IS NECESSARY



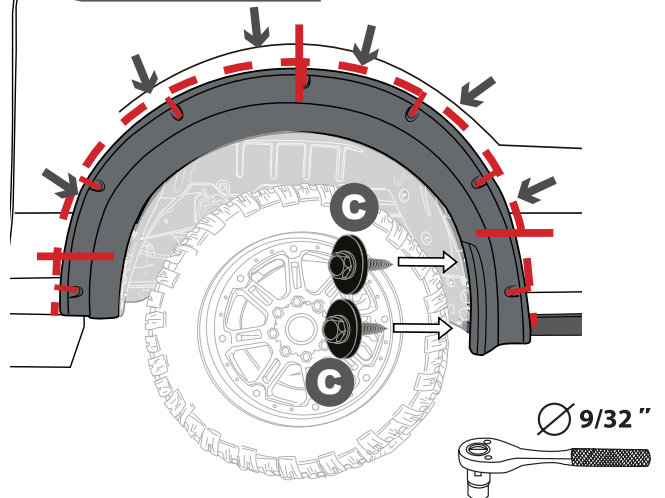
REMOVE LINER



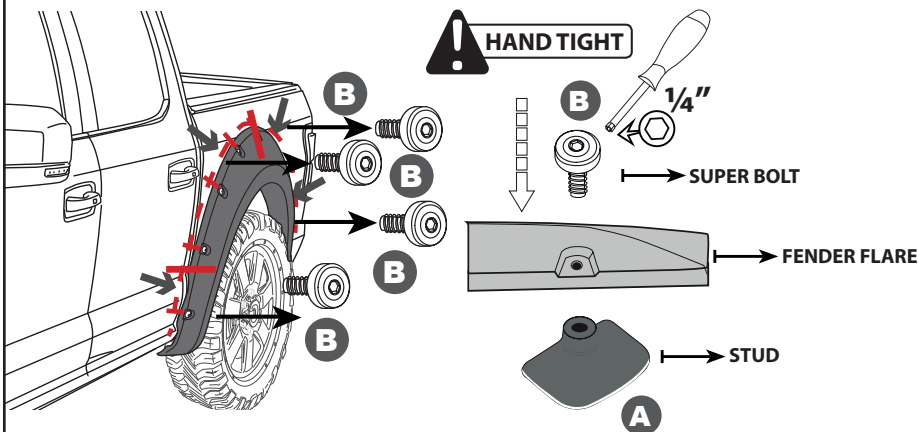
45 PLACE



46 SECURE THE PART

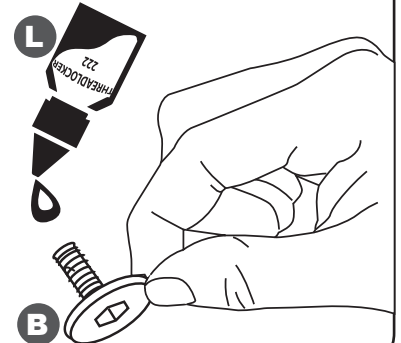


47 SCREW SUPER BOLTS



48 APPLY LOCTITE THREADLOCKER TO SUPER BOLTS THREAD

ATTENTION

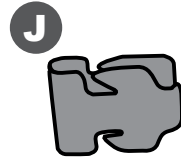
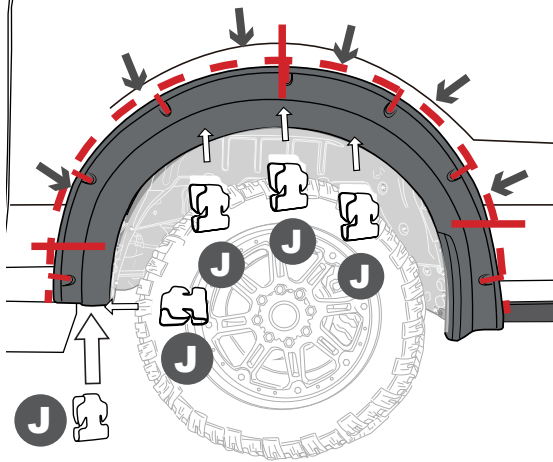




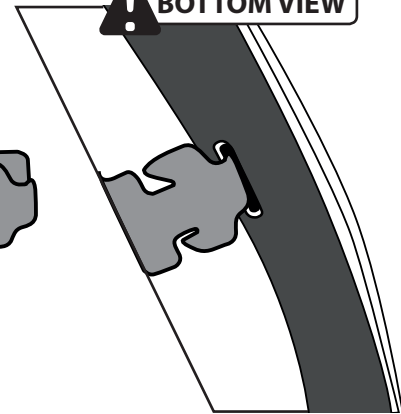
FORD - F-150 2018

INSTALLATION MANUAL

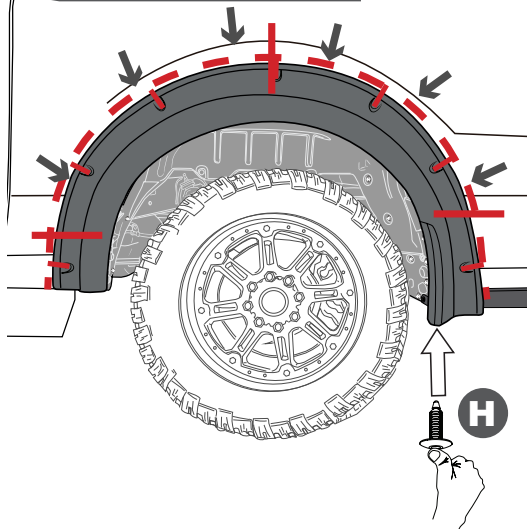
49 PLACE U-CLIPS



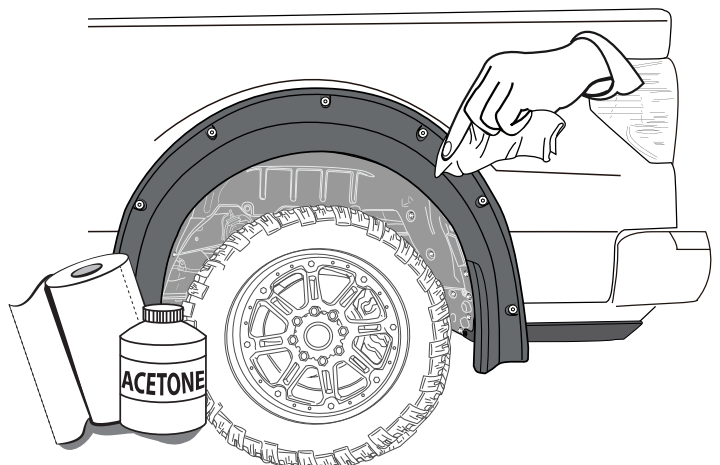
! BOTTOM VIEW



50 PLACE PUSH PINS



51 CLEAN OFF GREASE PENCIL MARK



52 INSTALLED PARTS

