

# V0013000

---

## THIRTEEN



### **ECCENTRIC LOCKOUT KIT**

#### **INSTALLATION INSTRUCTIONS:**

**2013+ SCION/TOYOTA FRS/GT86/86 ZN6**

**2013+ SUBARU BRZ ZC6**

**08-14 SUBARU WRX/STI GV/GR**

**09-13 SUBARU FORESTER SH**

**15+ SUBARU WRX/STI GJ GP**

**PART NUMBERS:**

**V00-LKSC-0100**

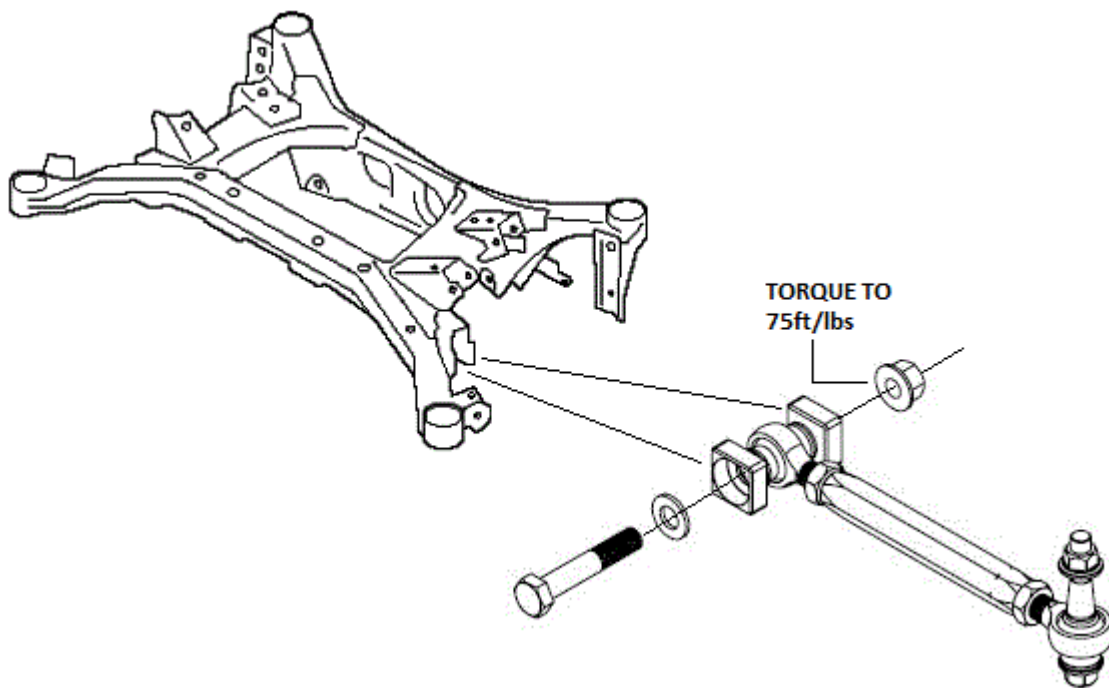
We recommend that installation of all Voodoo13 parts be completed by a professional who is experienced in suspension tuning. With proper installation and maintenance, Voodoo 13 suspension products will provide exceptional performance and durability. For any questions, please contact Voodoo 13 immediately. We thank you for choosing Voodoo 13 for your suspension tuning needs!

## RECOMMENDED TOOLS AND SUPPLIES

- General Mechanics Tool Set
- 21mm and 22mm Socket
- Torque Wrench
- Vehicle Jack and Safety Jack Stands (Or Vehicle Lift)

## PART BREAKDOWN

NOTE: For any OE hardware please refer to OEM service manual for torque specifications. For all included hardware please torque to specifications shown below.



# INSTALLATION PROCEDURE

\* Reference the exploded view on the previous page

**Step 1:** Lift the vehicle to a safe height using the recommended factory lift points to work underneath the rear suspension. Ensure to place safety jack stands where recommended by the manufacturer before anyone goes underneath the car (unless using a vehicle lift with safety locks).

**Step 2:** Locate the rear adjustable toe arms on the vehicle subframe and remove the inner most factory eccentric hardware one at a time.

**Step 3:** After matching bolt lengths, insert the supplied Lockout Bolt into the Counter-Bored Lockout Plates and install through the inner most mounting point of each arm.

**Step 4:** Install the Flat Lockout Plate with the washer supplied on the head end of the bolt and Lock Nut onto other side of arm mount and torque to 75Ft-Lbs. Do this to both the mounting points of the toe arms. The bolt hex size is going to require a 22mm socket while the locking nut hex size is going to require a 21mm socket.

**Step 5:** Lower vehicle safely back to the ground and perform a vehicle alignment. You are finished! Now you will not have to worry about the car's alignment slipping under hard cornering load. All adjustment will be via the adjustable toe arms.

## WARRANTY

All products sold are subject to the following warranty:

Voodoo 13 offers a Limited Lifetime Warranty for our products to the original retail consumer against defects and workmanship when used on light truck and car applications under normal operating conditions. This warranty does not apply to parts that have been improperly installed or wearable items such as, but not limited to, worn bushings or bearings unless proven to be defective from the manufacturer.

Exterior finish on all Voodoo 13 products is not considered a valid warranty; consumers are responsible for the maintenance of paint, anodize or raw metal finish.

The consumer will be responsible for the removal and freight costs both to and from the Distributor from which the product was originally purchased. Proof of purchase and product registration through the Voodoo 13 website is mandatory in order to receive warrantee replacement; original invoice from the Distributor from which the product was purchased must accompany the product in question for warrantee.

Voodoo 13 has the right to refuse a warrantee claim if procedures are not met by the original consumer. All returns must have an R.M.A. approval from Voodoo 13 prior to shipping direct to the Voodoo 13 facility. Exclusions from this warranty are sales outside of the United States, the finish, dents, rust, or any condition caused by abnormal use or neglect.

### WARNING

High performance parts. For off-road use only. Installation should be carried out by a qualified facility. Improper use or installation may result in injury or death.

