



**RAISING THE STANDARD
IN RACING SUSPENSION**

MADE IN THE USA

INFINITI REAR ADJUSTABLE SWAY BAR END LINKS

2014+ INFINITI Q50 | 2017+ INFINITI Q60



V00-ADEL-0600

ALLOWS FOR PROPER CORNER BALANCE ADJUSTMENT
ELIMINATES PRELOAD ON SWAY BARS
CORRECTS SWAY BAR ORIENTATION
ADJUSTMENT RANGE: 220-190MM

INCLUDED:

- 2 X END LINKS
- 4 X BOLTS
- 4 X LOCKING NUTS
- 8 X MISALIGNMENT SPACERS

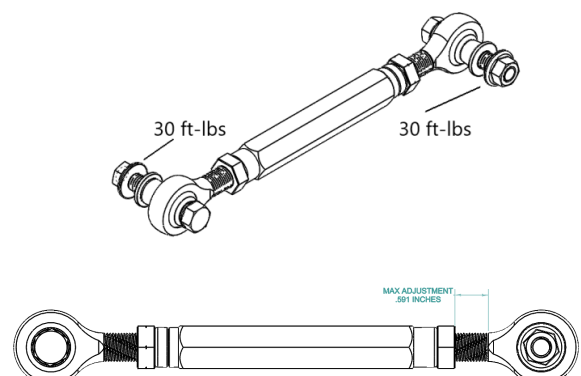
It is recommended the installation of all Voodoo13 parts be completed by an experienced suspension tuning professional. With proper installation and maintenance, Voodoo13 suspension products will provide exceptional performance and durability. For any questions, please contact Voodoo13 immediately. Thank you for choosing Voodoo13 for your suspension component needs!

RECOMMENDED TOOLS + SUPPLIES

- General Mechanics Tool Set
- Vehicle Jack and Jack Stands
- Torque Wrench

PART BREAKDOWN

NOTE: For any OEM hardware please refer to OEM service manual for torque specifications. For all included hardware, please torque to the specifications shown below. It is recommended to use a torque wrench when tightening instead of an impact wrench. Apply anti-seize to all hardware threads.



INSTALLATION PROCEDURE

STEP 1: Lift the vehicle to a safe height using the recommended factory lift points to work underneath the vehicle's suspension. Ensure placement of safety jack stands where recommended by the manufacturer's service manual before working underneath the vehicle.

NOTE: If you can lift the entire rear suspension where the rear wheels are off the ground, this will ease the process of removing the OEM end links. If you can only lift one side of the vehicle, you will need to use a floor jack on the lower portion of the knuckle to relieve the tension on the sway bar.

STEP 2: Use a socket to remove the hex nut securing the OEM end links to the sway bar and knuckle assembly.

STEP 3: Adjust the Voodoo13 end links to the same length as the factory end links by rotating the threaded heim joint clockwise or counterclockwise. Measurement of the OEM end link is taken from the center of one heim joint to the center of the other heim joint.

NOTE: Increasing the length of the Voodoo13 end links compared to the OEM end links is an acceptable way of increasing the spring rate of the sway bar. Ensure the position of the sway bar does not interfere with any vehicle components such as the lower control arms or the vehicle chassis. Since Voodoo13 end links are independently adjustable in length, sway bar preload can be adjusted. A preloaded sway bar can improve the corner balancing of a vehicle with height-adjustable shocks or struts or an uneven suspension ride height.

STEP 4: Prepare to install the Voodoo13 end links as depicted with the supplied misalignment spacers facing the sway bar and knuckle assembly. Install one hex bolt through the heim joint, spacer, and sway bar. Install the remaining hex bolt through the heim joint, spacer, and knuckle assembly. Loosely secure the Voodoo13 end links to the suspension components with two (2) locking hex nuts. Repeat these steps for the opposite side of the vehicle's suspension.

STEP 5: Once the Voodoo13 end links are installed to the proper length on both the driver and passenger side of the vehicle, torque the four (4) hex nuts to 30 ft-lbs using a torque wrench.

NOTE: With the Voodoo13 end links installed and the vehicle resting on a flat surface, the sway bar preload can be adjusted.

STEP 6: Once the desired lengths of the Voodoo13 end links are established, tighten the four (4) jams nuts against the heim joints on both sides of the end link. Properly torque the jams nuts to 30 ft-lbs using a torque wrench.

NOTE: Ensure all hardware is torqued to the correct specifications. Please consult a suspension tuning professional after 50 miles of continuous driving to ensure proper installation.

WARNING

High performance automotive components intended for off-road use only. Installation should be carried out by a qualified facility and installation professional. Improper use or installation may result in injury or death.

ABOUT VODOO13

Headquartered in Mesa, Arizona, Voodoo13 USA is an aftermarket automotive performance part manufacturer specializing in the production of MIL-SPEC grade suspension components for both street and track vehicles. All products are proudly engineered, manufactured and assembled at their 100,000 Square Foot facility in Mesa, Arizona using only the highest quality materials sourced from US suppliers. Since its inception in 2013, Voodoo13 has become a brand synonymous with quality craftsmanship. Voodoo13 has set itself apart from the competition by being trusted both on and off the track by professional drivers and enthusiasts around the world.