

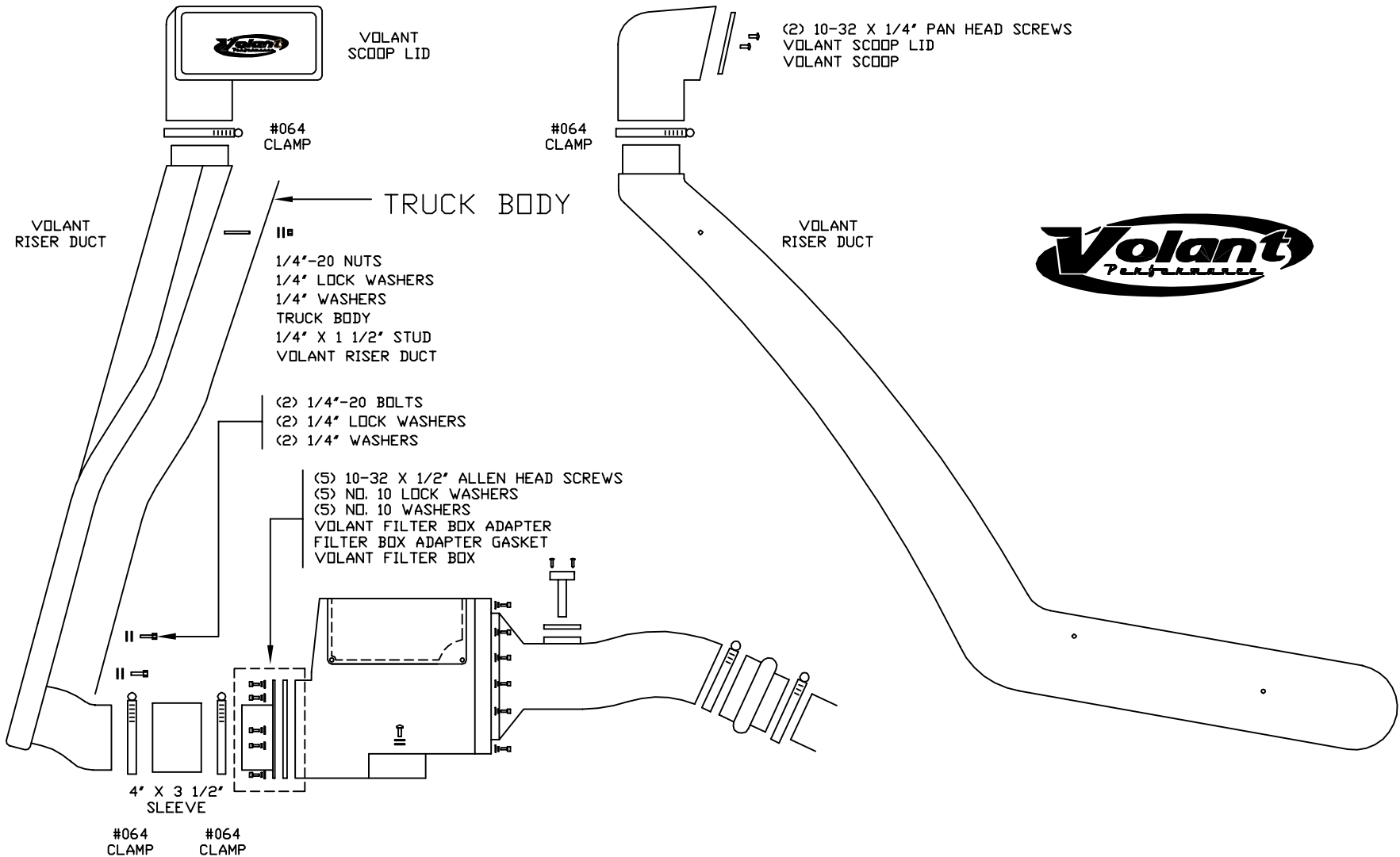
VOLANT COOL AIR INTAKES
 PART NO.: 38857
 INSTALLATION INSTRUCTIONS

38857 PARTS LIST

1	VOLANT RISER DUCT	5	10-32 X 1/2" ALLEN HEAD SCREWS	1	1/4" X 1 1/2" STUD
1	VOLANT SCOOP	2	1/4"-20 BOLTS	3	TRANSFER PUNCHES
1	VOLANT SCOOP LID	5	NO. 10 LOCK WASHERS		
1	VOLANT FILTER BOX ADAPTER	5	NO. 10 WASHERS		
3	#064 CLAMPS	3	1/4" LOCK WASHERS		
1	4" X 3 1/2" SLEEVE	3	1/4" WASHERS		
2	10-32 X 1/4" PAN HEAD SCREWS	1	1/4"-20 NUT		

FRONT VIEW

SIDE VIEW





READ INSTRUCTIONS THOROUGHLY BEFORE DISASSEMBLING. DO NOT SKIP ANY STEPS.

INSTALLATION INSTRUCTIONS PART NO. 38857

Installation Instructions:

1. Install the snorkel adapter to the Volant box with the hardware provided.
2. Tape the snorkel template to the fender and center punch the hole, than remove the template and drill using a hole saw bit.
3. Thread the transfer punch bits into the threaded inserts on the snorkel.
4. Slide the snorkel through the hole and press into the body and A pillar, this will mark where the holes will be drilled.
5. Remove the inner wheelwell and A pillar cover, also remove the bolts holding the airbag in place. **DO NOT REMOVE THE AIR BAG.**
6. Drill the marked holes, on the pillar make sure you drill all of the way through.
7. On the inside of the pillar use a uni bit to enlarge the hole to 3/4in
8. Attach the sleeve to the filter adapter and tighten the clamp.
9. Attach the threaded stud to the A pillar insert and press the snorkel into the sleeve and tighten the clamp.
10. Attach the snorkel to the body using the hardware provided.
11. Reinstall the air bag and pillar cover and wheelwell.

WARNING: OVER TIGHTENING HARDWARE MAY ALTAR THE INTEGRITY OF THE VOLANT AIR INTAKE SYSTEM.

BEFORE ROAD TESTING

1. Start engine, leaving the transmission in park and securing the parking brake.
2. Make sure to look and listen for any unusual noises or air leaks. Repair problems if needed.
3. Once completed it will be necessary to check periodically for realignment and tightening of all connections.
4. Once all tests are completed, enjoy the performance of your new Air Intake System.

CARE AND CLEANING

Check the cotton reusable filter periodically and remove any excessive dirt build-up by tapping the filter on the ground and brushing off the loosened dirt. Clean the filter by using Volant's Filter Recharger Kit. Volant's Filter Recharger Kit is designed to restore original air flow. Re-oil every 10,000 miles without cleaning to improve filtering in sand and dirt. Clean only when dirt is very excessive or 50,000 miles.

RECOMMENDED SERVICE PARTS

RECOMMENDED SERVICE PARTS	PART NO.

APPLICATION GUIDE

MY	MAKE	MODEL	ENG.
07-10	TOYOTA	TUNDRA	5.7L

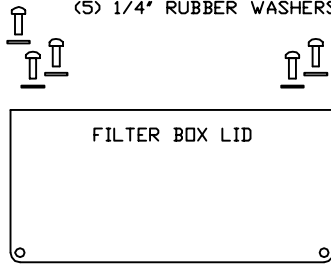
INSTALL



VOLANT COOL AIR INTAKES
 PART NO.: 18857
 INSTALLATION INSTRUCTIONS

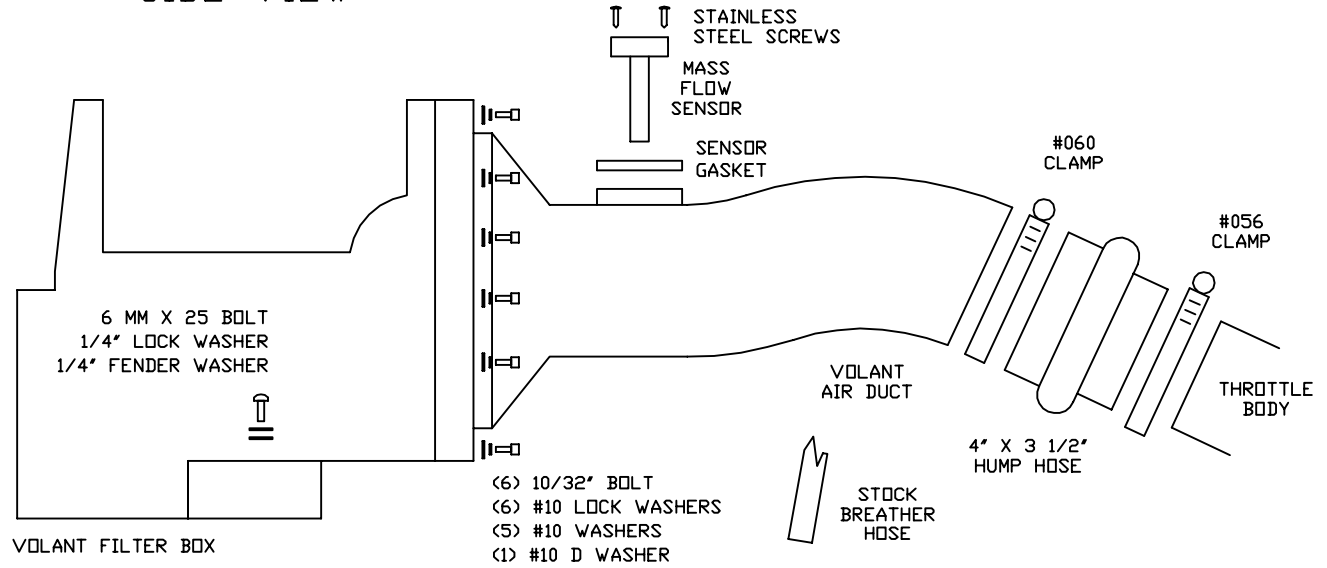
18857 PARTS LIST					
1	VOLANT FILTER BOX	1	1/2" STRAIGHT FITTING	5	1/4"-20 TRUSS HEAD SCREWS
1	VOLANT FILTER BOX LID	1	1/8" NPT FITTING	1	1/4" RUBBER WASHERS
1	VOLANT AIR DUCT	1	6 MM X 25 BOLT	1	6 MM COUPLER
1	POWERCORE FILTER W/CLAMP	6	10/32" SS SOCKET SCREWS	1	6 MM X 50 SET SCREW
1	4" X 3 1/2" HUMP HOSE	6	#10 SS LOCK WASHERS	1	1/2" X 3" BREATHER HOSE
1	#060 CLAMP	5	#10 SS WASHERS	2	SS PLASTIC SCREWS
1	#056 CLAMP	1	#10 SS D WASHER	1	SENSOR GASKET

(5) 1/4"-20 TRUSS HEAD SCREWS
 (5) 1/4" RUBBER WASHERS

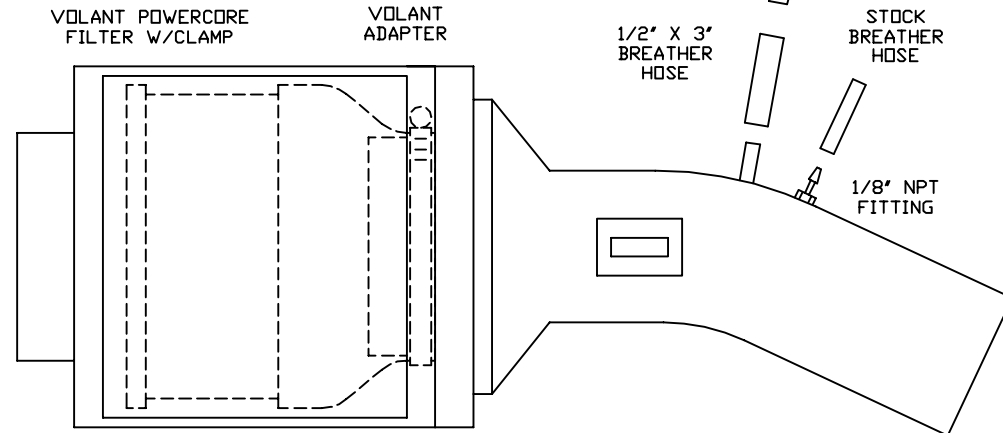
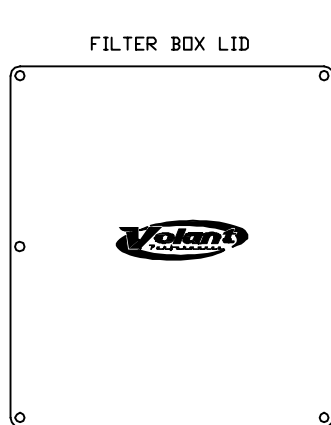


VOLANT FILTER BOX
 SETS ALONGSIDE THE
 FENDER WELL.

SIDE VIEW



TOP VIEW





**READ INSTRUCTIONS THOROUGHLY BEFORE DISASSEMBLING.
DO NOT SKIP ANY STEPS.**

INSTALLATION INSTRUCTIONS PART NO. 18857

Installation Instructions:

1. Disconnect the negative battery cable.
2. Pull up on the engine cover and remove it.
3. Remove the two breather hoses from the back of the factory air duct.
4. Remove the two screws holding the MAF sensor remove the sensor.
5. Remove the two bolts holding the factory air box in place.
6. Loosen the clamp holding the factory duct into place.
7. Remove the factory intake system.
8. Place the two gaskets onto the Volant box.
9. Attach the volant air duct onto the Volant box and tighten the pieces together with the hardware provided.
10. Slide the reducer onto the Volant duct and place the system in the factory position than slide the reducer onto the throttle body.
11. Tighten the Volant box down with the hardware provided and tighten the clamps.
12. Remove the factory O-ring from the MAF sensor and and replace it with the Volant gasket, tighten he sensor into the Volant duct.
13. Press the two breather hoses to the Volant duct.
14. Attach the Filter and lid to the Volant box.
15. Remove the foward most stud from the intake manifold and thread in the 6mm volant stud than attach the 6mm coupler to the stud and thread the factory mounting stud into the coupler
16. Reinstall the engine cover and battery cable.

WARNING: OVER TIGHTENING HARDWARE MAY ALTAR THE INTEGRITY OF THE VOLANT AIR INTAKE SYSTEM.

BEFORE ROAD TESTING

1. Start engine, leaving the transmission in park and securing the parking brake.
2. Make sure to look and listen for any unusual noises or air leaks. Repair problems if needed.
3. Once completed it will be necessary to check periodically for realignment and tightening of all connections.
4. Once all tests are completed, enjoy the performance of your new Volant Air Intake System.

CARE AND CLEANING

Check the cotton reusable filter periodically and remove any excessive dirt build-up by tapping the filter on the ground and brushing off the loosened dirt. Clean the filter by using Volant's Filter Recharger Kit. Volant's Filter Recharger Kit is designed to restore original air flow. Re-oil every 10,000 miles without cleaning to improve filtering in sand and dirt. Clean only when dirt is very excessive or 50,000 miles.

RECOMMENDED SERVICE PARTS

RECOMMENDED SERVICE PARTS	PART NO.
REPLACEMENT POWERCORE FILTER	61508
PREFILTER	61521

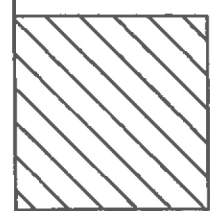
APPLICATION GUIDE

MY	MAKE	MODEL	ENG.
07-10	TOYOTA	TUNDRA	5.7L
08-10	TOYOTA	SEQUOIA	5.7L

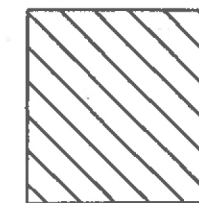
INSTALL



CUT ALONG THE DOTTED LINE. ALIGN EDGE OF LINE TO THE BODY LINE

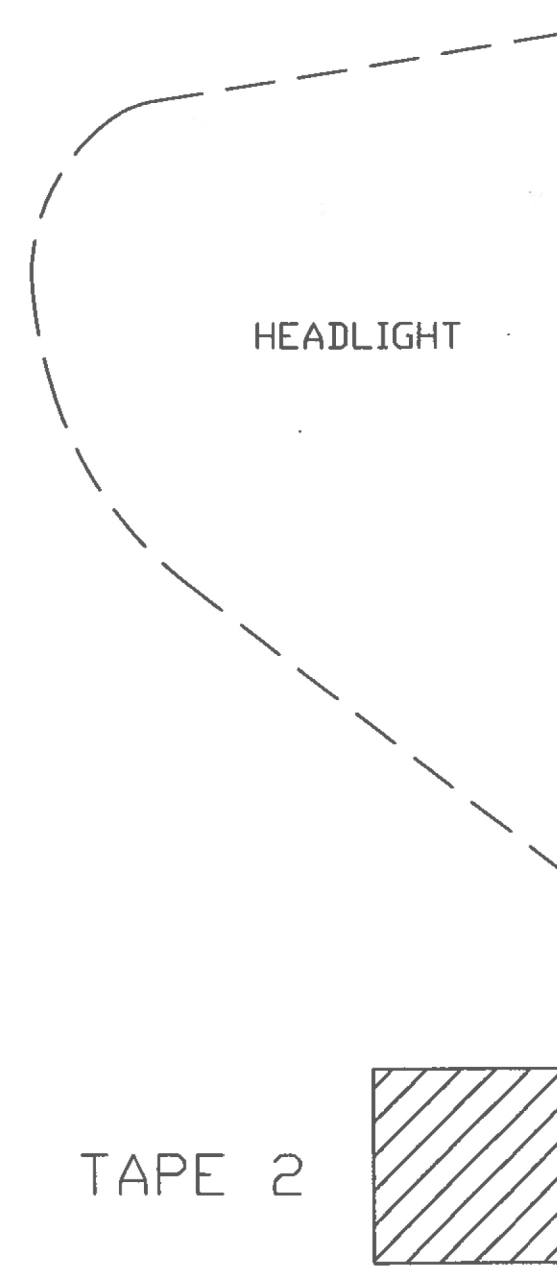


TAPE 3



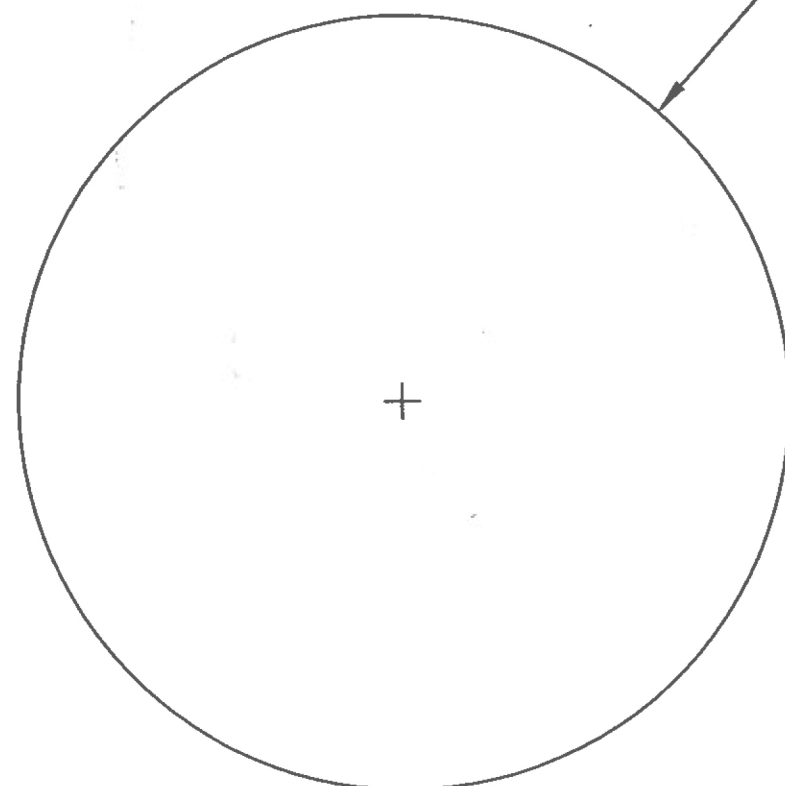
TAPE 1

CUT ALONG THE DOTTED LINE. ALIGN ALONG THE EDGE OF THE HEADLIGHT.

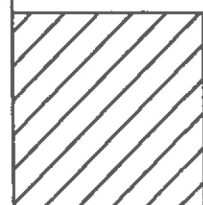


HEADLIGHT

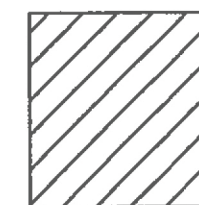
Ø4.0000



USE A HOLE PUNCH TO MARK THE CENTER OF THE HOLE. CUT THE HOLE BY USING A 4" HOLES AW BIT.



TAPE 4



TAPE 2