

VOLANT COOL AIR INTAKES  
 PART NO.: 154606  
 INSTALLATION INSTRUCTIONS

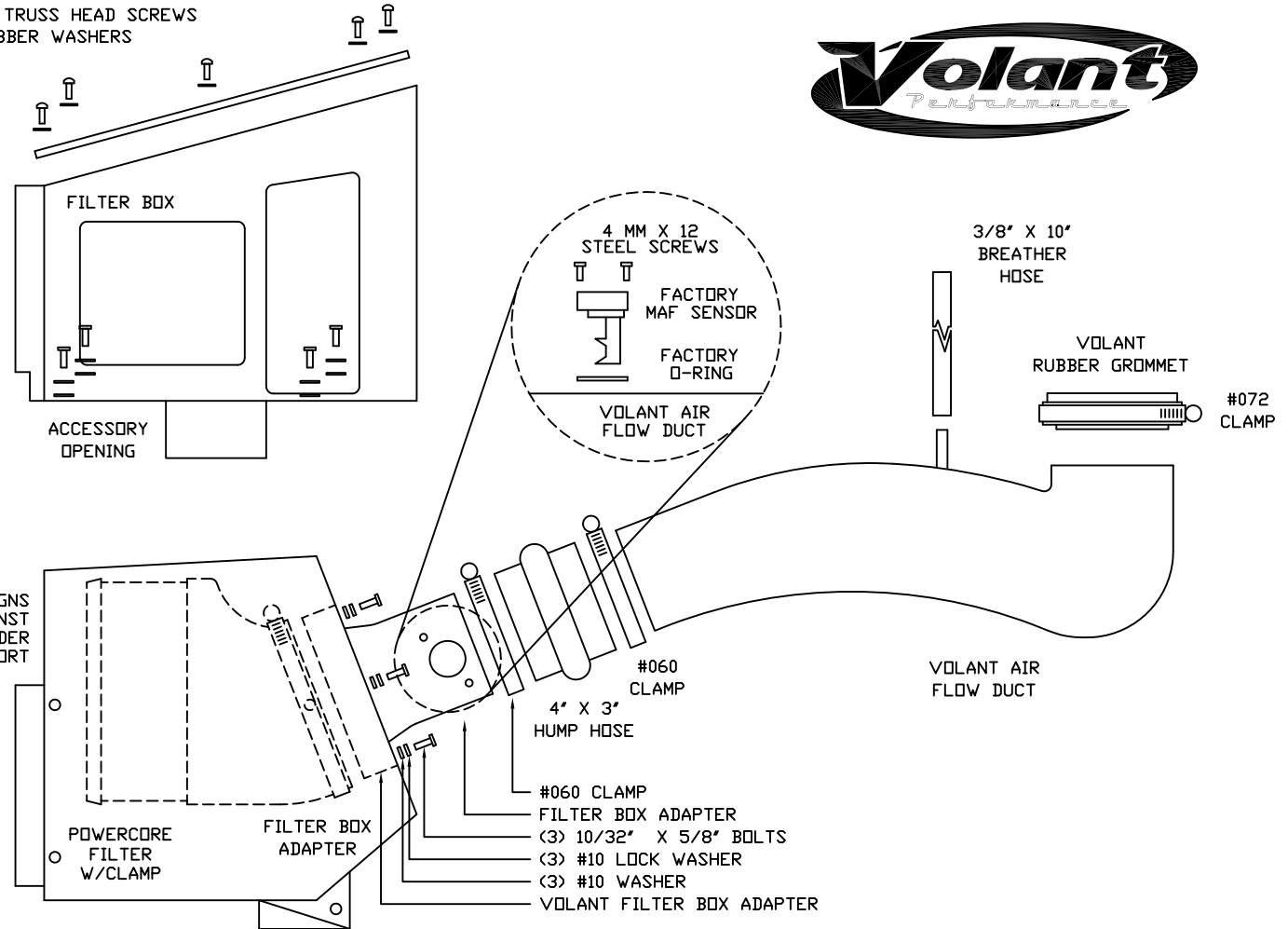
154606 PARTS LIST

|   |                           |   |                            |   |                          |
|---|---------------------------|---|----------------------------|---|--------------------------|
| 1 | VOLANT FILTER BOX         | 1 | 4" X 3" HUMP HOSE          | 1 | VOLANT RUBBER GROMMET    |
| 1 | VOLANT FILTER BOX LID     | 2 | #060 CLAMPS                | 1 | 3/8" X 10" BREATHER HOSE |
| 1 | VOLANT FILTER BOX ADAPTER | 1 | #072 CLAMP                 | 2 | 4 MM X 12 SS SCREWS      |
| 1 | VOLANT AIR FLOW DUCT      | 4 | 6 MM-25 BOLTS              | 3 | #10 LOCK WASHERS         |
| 1 | RAM FILTER W/CLAMP        | 3 | 10/32" X 5/8" BOLTS        | 3 | #10 WASHERS              |
| 5 | 1/4"-20 TRUSS HEAD SCREWS | 4 | 1/4" X 7/8" FENDER WASHERS |   |                          |
| 5 | 1/4" RUBBER WASHERS       | 4 | 1/4" LOCK WASHERS          |   |                          |

- (5) 1/4"-20 TRUSS HEAD SCREWS  
 (5) 1/4" RUBBER WASHERS



- (4) 6 MM-25 MM BOLTS  
 (4) 1/4" LOCK WASHERS  
 (4) 1/4" X 7/8" FENDER WASHERS



NOTE: MUST REMOVE NEGATIVE BATTERY CABLE

VOLANT COOL AIR INTAKES  
 PART NO.: 35353  
 INSTALLATION INSTRUCTIONS

35353 PARTS LIST

|   |                        |   |                           |
|---|------------------------|---|---------------------------|
| 1 | VOLANT RAM AIR SCOOP   | 4 | 1/4" LOCK WASHERS         |
| 2 | #060 CLAMPS            | 1 | 6 MM NUT                  |
| 1 | 3 3/4" X 6 1/2" SLEEVE | 1 | VOLANT 7057353534 BRACKET |
| 3 | 1/4"-20 BOLTS          | 1 | VOLANT 7057353531 BRACKET |
| 1 | 6 MM BOLT              | 1 | VOLANT 7057353533 BRACKET |
| 3 | 1/4" WASHERS           | 1 | VOLANT 7057353535 BRACKET |
| 2 | 1/4" X 7/8" WASHERS    | 1 | VOLANT 7057353533 BRACKET |

FIGURE A.

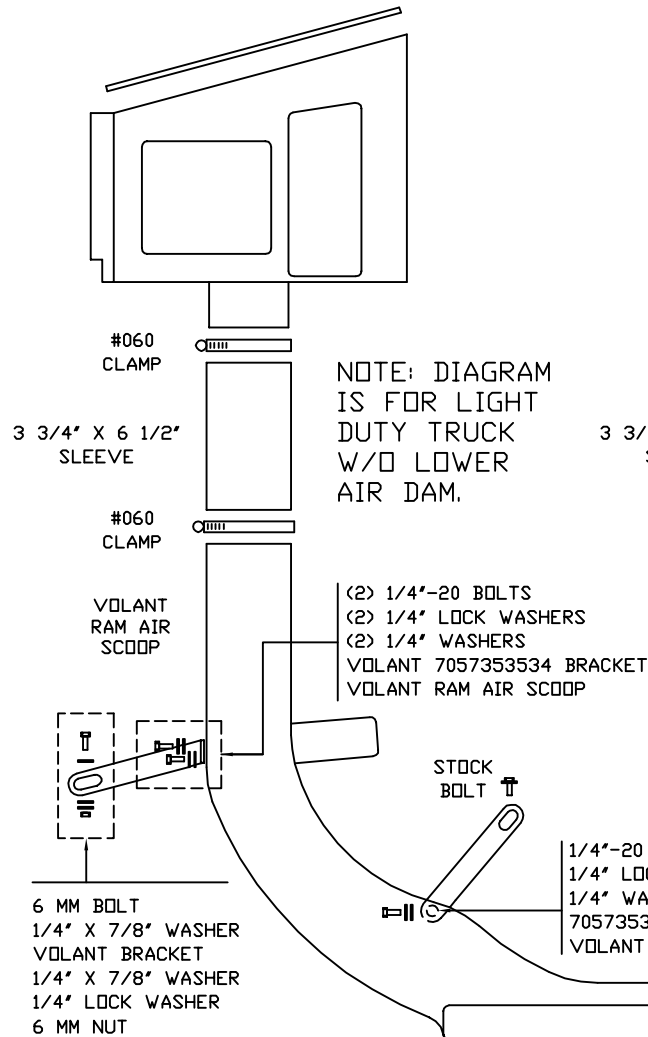


FIGURE B.

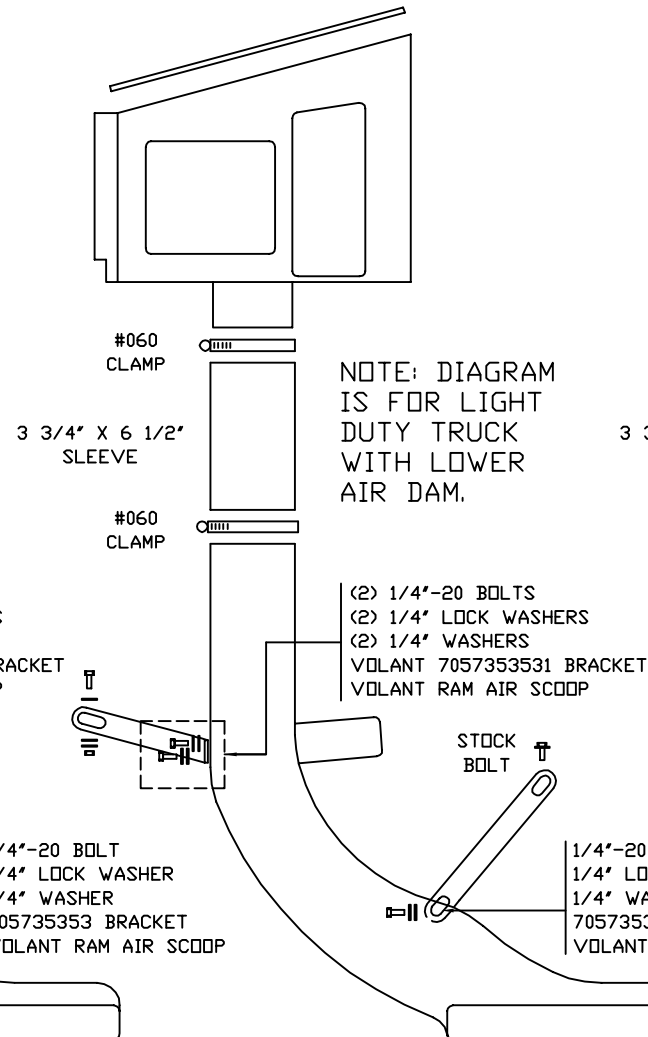


FIGURE C.

