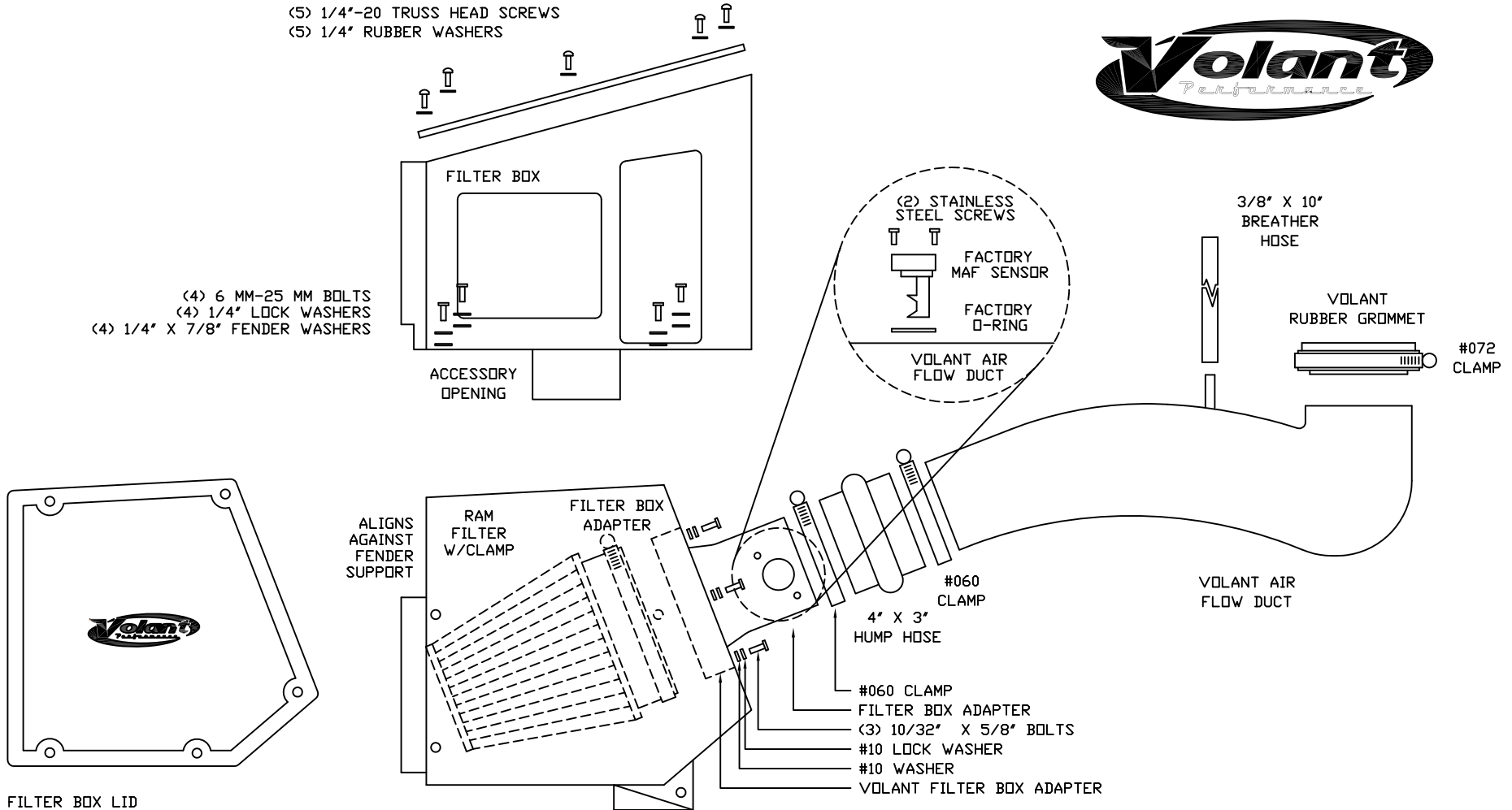


VOLANT COOL AIR INTAKES  
 PART NO.: 15453  
 INSTALLATION INSTRUCTIONS

15453 PARTS LIST

1	VOLANT FILTER BOX	1	4" X 3" HUMP HOSE	1	VOLANT RUBBER GROMMET
1	VOLANT FILTER BOX LID	2	#060 CLAMPS	1	3/8" X 10" BREATHER HOSE
1	VOLANT FILTER BOX ADAPTER	1	#072 CLAMP	2	4 MM X 12 SS SCREWS
1	VOLANT AIR FLOW DUCT	4	6 MM-25 BOLTS	3	#10 LOCK WASHERS
1	RAM FILTER W/CLAMP	3	10/32" X 5/8" BOLTS	3	#10 WASHERS
5	1/4"-20 TRUSS HEAD SCREWS	4	1/4" X 7/8" FENDER WASHERS		
5	1/4" RUBBER WASHERS	4	1/4" LOCK WASHERS		

- (5) 1/4"-20 TRUSS HEAD SCREWS  
 (5) 1/4" RUBBER WASHERS



NOTE: MUST REMOVE NEGATIVE BATTERY CABLE

VOLANT COOL AIR INTAKES  
 PART NO.: 35353  
 INSTALLATION INSTRUCTIONS

35353 PARTS LIST

1	VOLANT RAM AIR SCOOP	4	1/4" LOCK WASHERS
2	#060 CLAMPS	1	6 MM NUT
1	3 3/4" X 6 1/2" SLEEVE	1	VOLANT 7057353534 BRACKET
3	1/4"-20 BOLTS	1	VOLANT 7057353531 BRACKET
1	6 MM BOLT	1	VOLANT 7057353533 BRACKET
3	1/4" WASHERS	1	VOLANT 7057353535 BRACKET
2	1/4" X 7/8" WASHERS	1	VOLANT 7057353533 BRACKET

FIGURE A.

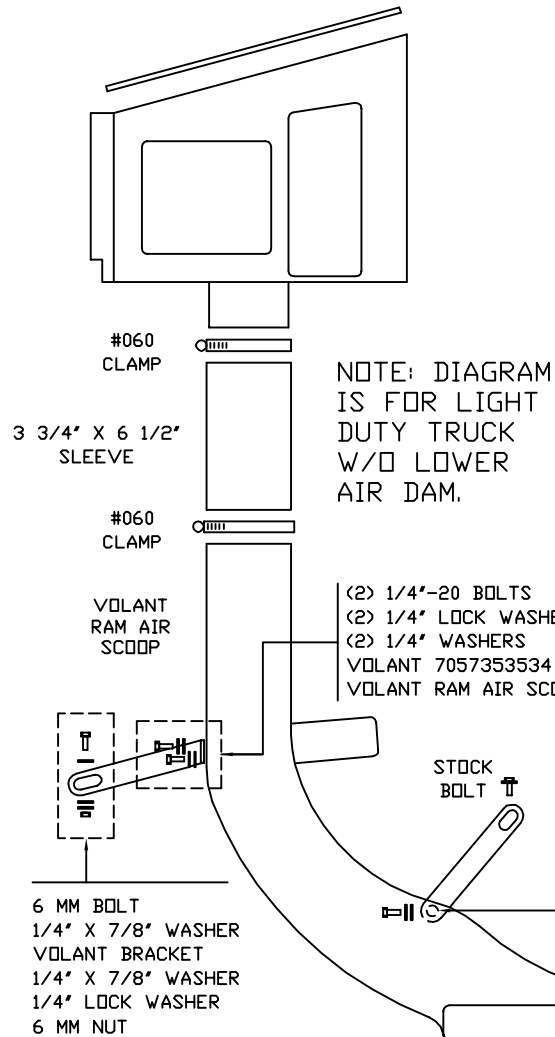


FIGURE B.

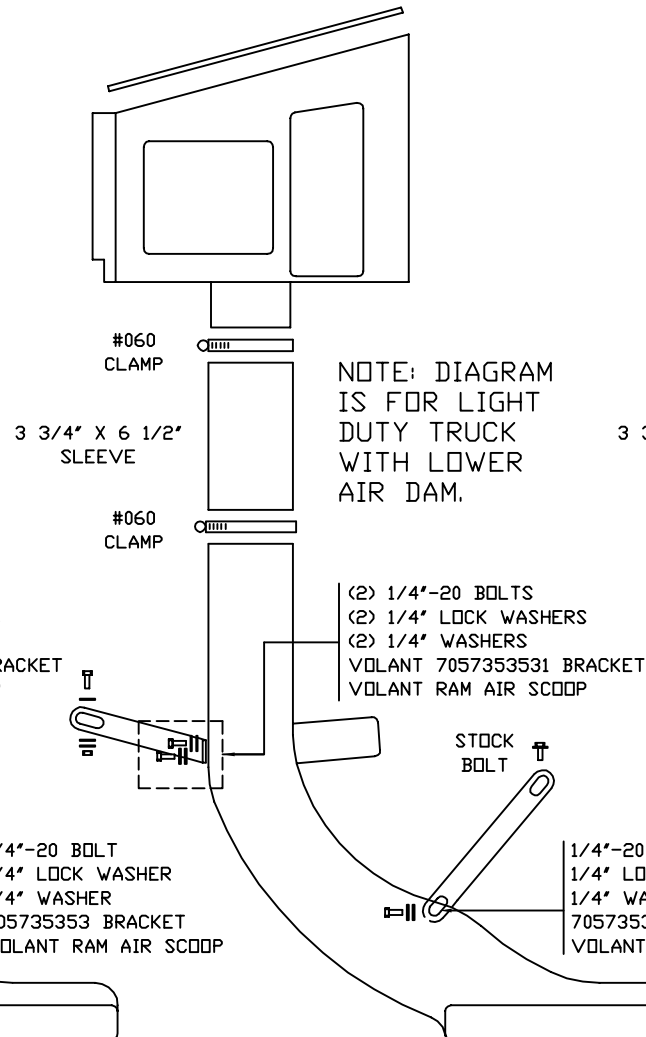


FIGURE C.

