



INSTALLATION INSTRUCTIONS PART NO. 197546
READ INSTRUCTIONS THOROUGHLY BEFORE DISASSEMBLING.
DO NOT SKIP ANY STEPS.

TOOLS NEEDED FOR INSTALL:

1. FLATHEAD SCREWDRIVER
2. 10 MM SOCKET AND RATCHET WRENCH
3. 7/16 WRENCH
4. 10 MM WRENCH
5. 7/16 SOCKET AND WRENCH
6. PHILLIP SCREWDRIVER

INSTALLATION:

1. Turn vehicle to the off position. Disconnect the negative batter cable.
2. Unscrew and remove the 6mm bolt located on the middle of the stock air intake duct. Pull the stock air intake duct away from the filter box on the throttle body and from the engine compartment.
3. Remove the bracket that held the stock air intake up. Loosen and remove both bolt on the bottom of the bracket and remove it from the engine compartment. Reinstall the two bolts back with out the bracket.
4. Disconnect the crank case breather hose on the passenger side and the mass flow sensor plug from the sensor on the driver side of the filter box. Loosen the four 6mm bolts located on the sides of the stock square filter box on the throttle body using a 10mm socket and ratchet. Pull it up and off the throttle body and away from the engine compartment. Remove the other end of the breather hose from the engine fitting and the engine compartment.
5. Remove the mass flow sensor from the stock square filter housing using a phillips screwdriver. Remove the small o-ring on the end of the shaft of the mass flow sensor.
6. Reinstall the mass flow sensor and Volant gasket provided onto the Volant air intake duct. Use the stock screws that held the sensor to the stock filter box.

7. Install the Volant filter box on the driver side where the stock unit pulled its air. Line up the holes on the bottom of the box and bolt it down with the bolts provided.
8. Attach the Volant PowerCore filter to the adapter inside the Volant filter box.
9. Slip the Volant sleeve onto the end of the Volant duct closest to the mass flow sensor. Use the #056 clamps to secure the sleeve on the duct and place the other clamp on the other end of the sleeve but only tighten enough for it to stay on. Slip the 4" hump hose to the other end of the Volant duct.
10. Connect the Volant duct to the Volant filter box first and the other end to the throttle body. Open the two (2) #064 clamps and wrap it around the 4" hump hose. Once aligned tighten all clamps on the throttle body and the filter box.
11. Reconnect the mass flow sensor on the Volant duct to the engine harness sensor plug. Connect the 1/2" hose provided to the Volant duct and the other end to the engine breather hose fitting.
12. Cover the Volant filter box with the lid and stainless steel screws provided
13. Make sure everything is tightened and properly connected.
14. Enjoy your Cool Air Intake.

WARNING: OVER TIGHTENING HARDWARE MAY ALTAR THE INTEGRITY OF THE VOLANT AIR INTAKE SYSTEM.

BEFORE ROAD TESTING

1. Start engine, leaving the transmission in park and securing the parking brake.
2. Make sure to look and listen for any unusual noises or air leaks. Repair problems if needed.
3. Once completed it will be necessary to check periodically for realignment and tightening of all connections.
4. Once all tests are completed, enjoy the performance of your new Volant Air Intake System.

APPLICATION GUIDE

PART NO. 197546

MY	MAKE	MODEL	ENG.
2004-2008	FORD	F-150	5.4L

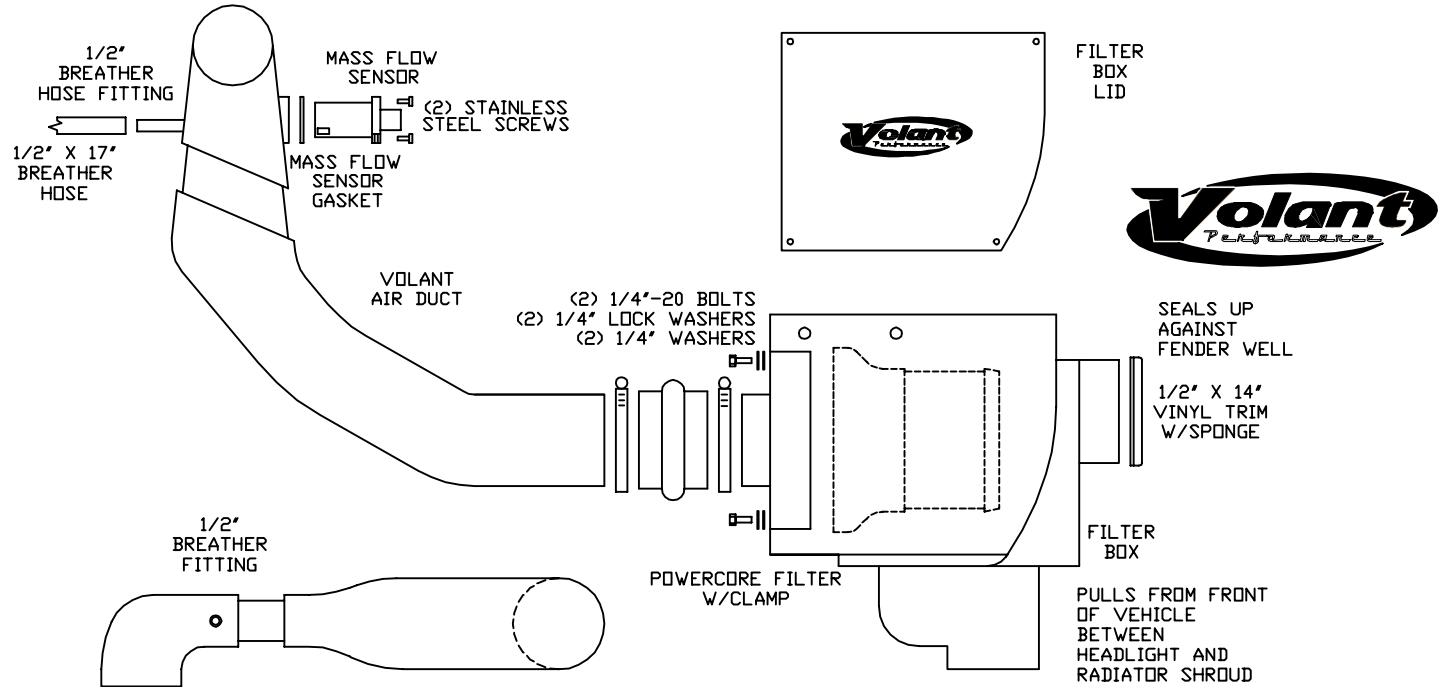
RECOMMENDED SERVICE PARTS	PART NO.
VOLANT REPLACEMENT FILTER	61503



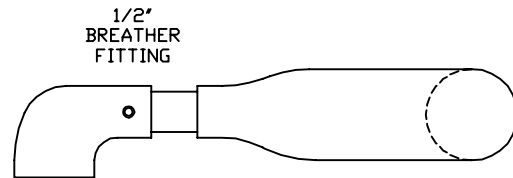
VOLANT AIR INTAKE SYSTEMS
 PART NO.: 197546
 INSTALLATION INSTRUCTIONS

197546 PARTS LIST				2	6 MM BOLTS
1	FILTER BOX	1	3 1/2" X 2 1/4" SLEEVE	2	5/8" WASHERS
1	FILTER BOX LID	1	4" X 3" HUMP HOSE	2	7/8" FENDER WASHERS
1	FILTER BOX ADAPTER	4	1/4"-20 TRUSS HEAD SCREWS	2	6 MM NUTS
1	VOLANT AIR DUCT	4	1/4" RUBBER WASHERS	2	STAINLESS STEEL SCREWS
1	POWERCORE FILTER W/CLAMP	2	1/4"-20 BOLTS	1	MASS FLOW SENSOR GASKET
2	#056 CLAMPS	4	1/4" LOCK WASHERS	1	1/2" X 17" BREATHER HOSE
2	#064 CLAMPS	2	1/4" WASHERS	1	1/2" X 14" VINYL TRIM

TOP VIEW



LEFT SIDE VIEW



SIDE VIEW

