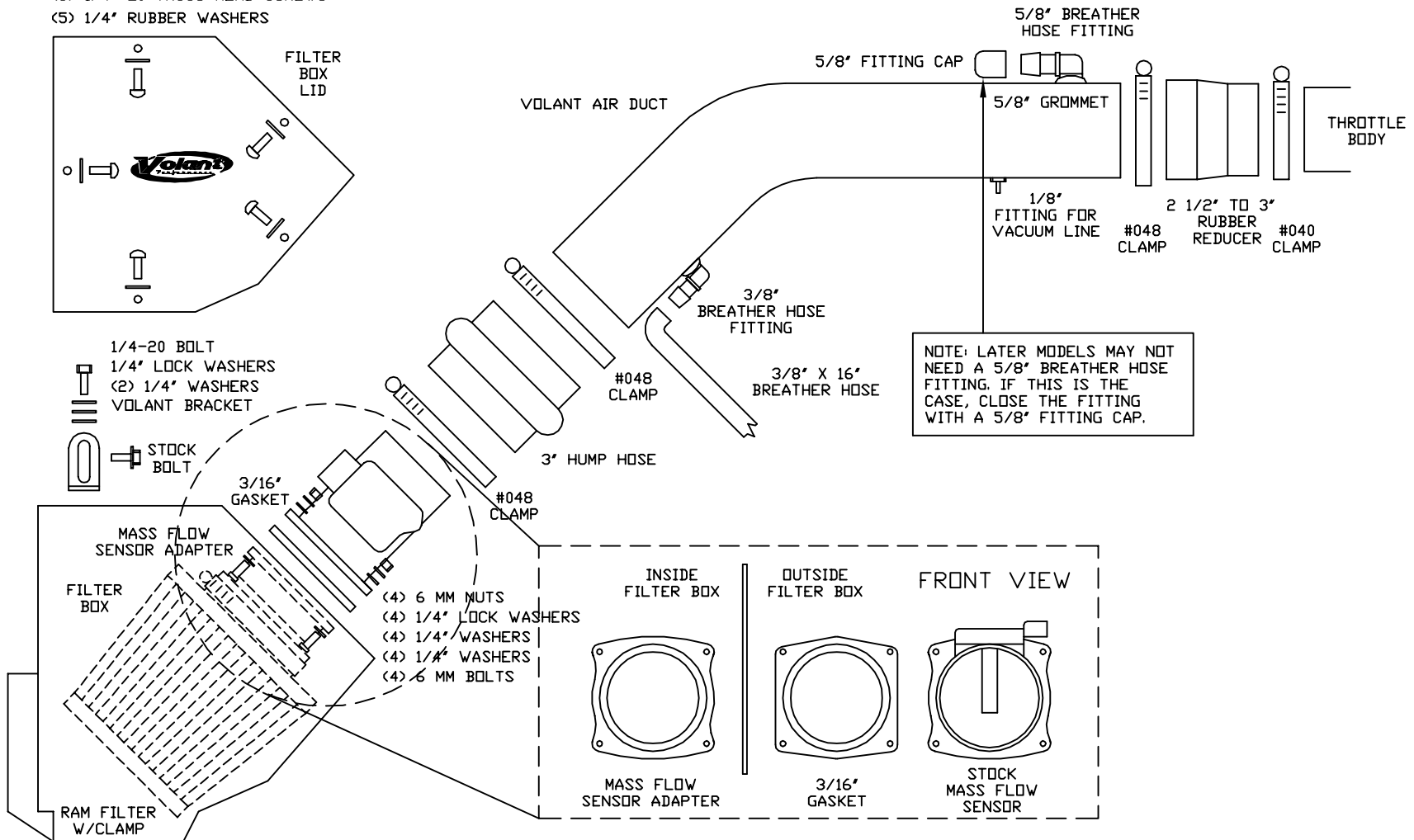


VOLANT COOL AIR INTAKES
PART NO.: 18424
INSTALLATION INSTRUCTIONS

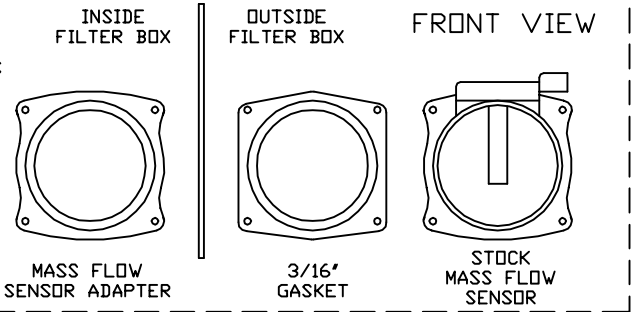
18424 PARTS LIST				5	1/4" RUBBER WASHERS
1	FILTER BOX	1	3" HUMPHOSE	1	MASS FLOW SENSOR ADAPTER
1	FILTER BOX LID	1	1/4"-20 BOLT	1	3/16" GASKET
1	VOLANT AIR DUCT	4	6 MM BOLTS	1	3/8" X 16" RUBBER HOSE
1	RAM FILTER W/CLAMP	4	6 MM NUTS	1	5/8" ELBOW FITTING
1	#040 CLAMP	5	1/4" LOCK WASHERS	1	5/8" FITTING PLUG
3	#048 CLAMPS	10	1/4" WASHERS	1	5/8" GROMMET
1	2 1/2" X 3" RUBBER REDUCER	5	1/4"-20 TRUSS HEAD SCREWS	1	VOLANT BRACKET

(5) 1/4"-20 TRUSS HEAD SCREWS
 (5) 1/4" RUBBER WASHERS



NOTE: LATER MODELS MAY NOT NEED A 5/8" BREATHER HOSE FITTING. IF THIS IS THE CASE, CLOSE THE FITTING WITH A 5/8" FITTING CAP.

- (4) 6 MM NUTS
- (4) 1/4" LOCK WASHERS
- (4) 1/4" WASHERS
- (4) 1/4" WASHERS
- (4) 6 MM BOLTS





**READ INSTRUCTIONS THOROUGHLY BEFORE DISASSEMBLING.
DO NOT SKIP ANY STEPS.**

INSTALLATION INSTRUCTIONS PART NO. 18424

Installation Instructions:

1. Disconnect the negative battery cable.
2. If you truck has an ATS sensor remove it from the air box.
3. Remove the bolts holding the MAF sensor into place.
4. Un clip the MAF sensor.
5. Remove the breather hose from the air box lid.
6. Loosen the clamp holding the air duct to the MAF sensor.
7. Remove the breather hose from the air duct. Than remove the box and duct.
8. Remove the MAF sensor from the air box.
9. Bolt the MAF to the volant box with the gasket and filter adapter provided.
10. Place the volant box into factory position and tighten down with the bracket provided.
11. Attach the filter to the filter box adapter.
12. Attac hthe 3" hump hose to the MAF sensor. than press the duct into the hump hose.
13. Attach the duct to the throttle body using the reducer provided.
14. Attach the breather hoses to the volant air duct.
15. Re install the negative battery cable.

WARNING: OVER TIGHTENING HARDWARE MAY ALTAR THE INTEGRITY OF THE VOLANT AIR INTAKE SYSTEM.

BEFORE ROAD TESTING

1. Start engine, leaving the transmission in park and securing the parking brake.
2. Make sure to look and listen for any unusual noises or air leaks. Repair problems if needed.
3. Once completed it will be necessary to check periodically for realignment and tightening of all connections.
4. Once all tests are completed, enjoy the performance of your new Air Intake System.

CARE AND CLEANING

Check the cotton reusable filter periodically and remove any excessive dirt build-up by tapping the filter on the ground and brushing off the loosened dirt. Clean the filter by using Volant's Filter Recharger Kit. Volant's Filter Recharger Kit is designed to restore original air flow. Re-oil every 10,000 miles without cleaning to improve filtering in sand and dirt. Clean only when dirt is very excessive or 50,000 miles.

RECOMMENDED SERVICE PARTS

RECOMMENDED SERVICE PARTS	PART NO.
REPLACEMENT FILTER	5113
PREFILTER	51901
CLEANING KIT	5100

APPLICATION GUIDE

MY	MAKE	MODEL	ENG.
97-04	TOYOTA	4 RUNNER	2.4/2.7L
97-04	TOYOTA	TACOMA	2.4/2.7L

INSTALL

