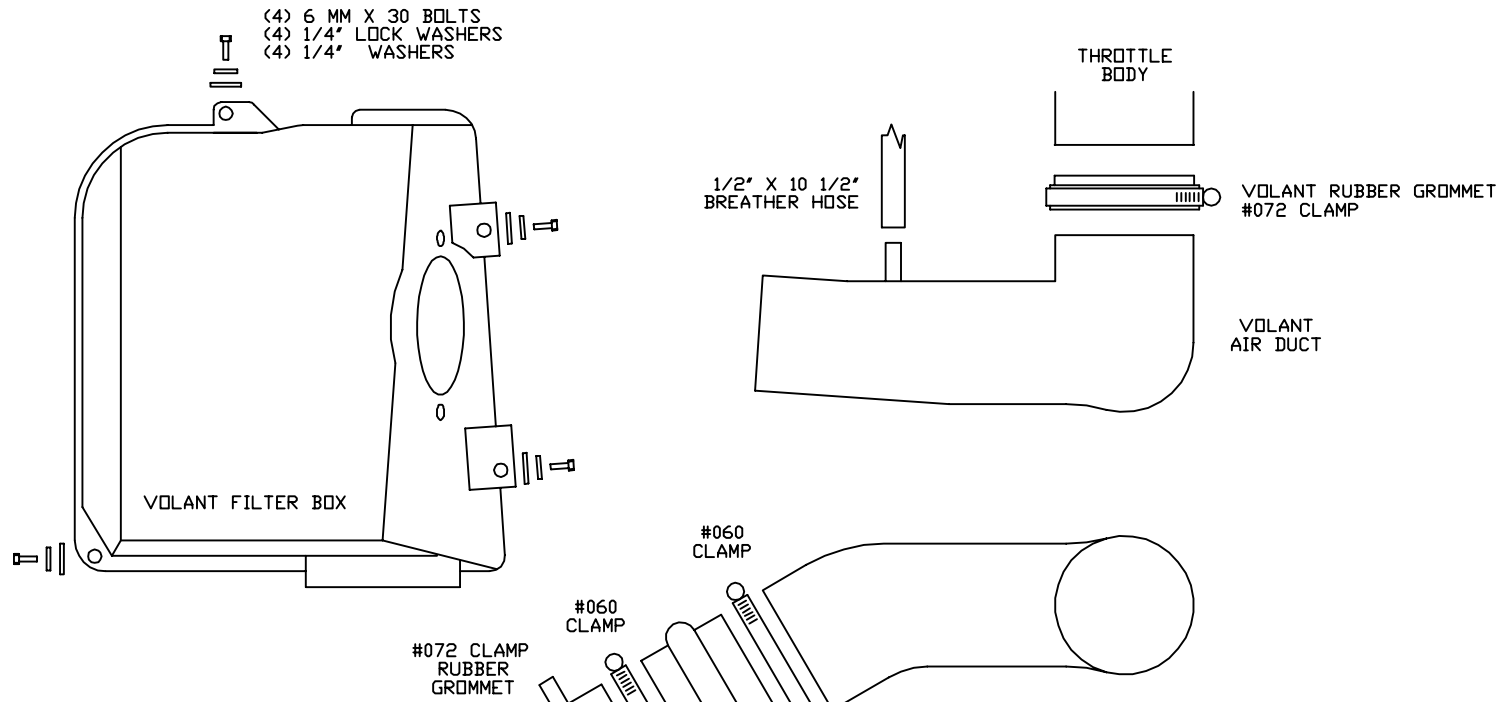


VOLANT COOL AIR INTAKES  
 PART NO.: 15760  
 INSTALLATION INSTRUCTIONS

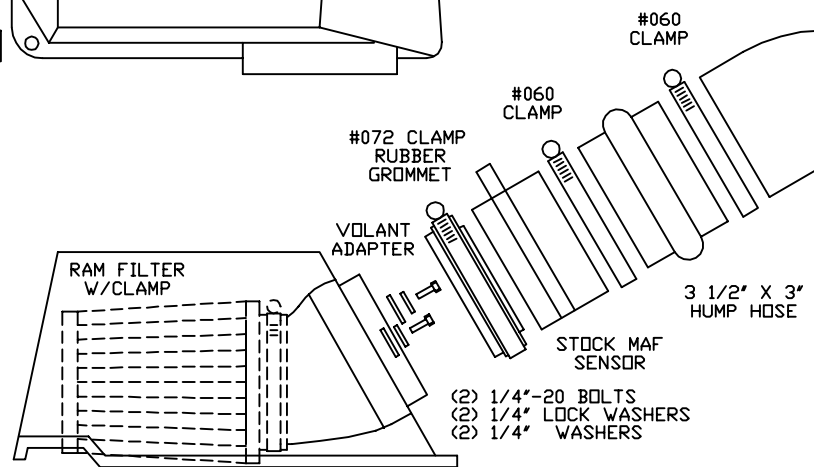
15760 PARTS LIST

1	VOLANT FILTER BOX	4	6 MM X 30 BOLTS
1	VOLANT AIR DUCT	2	1/4"-20 BOLTS
1	VOLANT ADAPTER	6	1/4" LOCK WASHERS
1	RAM FILTER W/CLAMP	6	1/4" WASHERS
2	#060 CLAMPS	2	VOLANT RUBBER GROMMETS
2	#072 CLAMPS	1	1/2" X 10 1/2" BREATHER HOSE
1	3 1/2" X 3" HUMP HOSE		

TOP VIEW



SIDE VIEW





**READ INSTRUCTIONS THOROUGHLY BEFORE DISASSEMBLING.  
DO NOT SKIP ANY STEPS.**

**INSTALLATION INSTRUCTIONS PART NO. 15760**

**Installation Instructions:**

1. Disconnect the negative battery cable.
2. Remove the engine cover.
3. Loosen the clamp holding the air duct to the throttle body and to the MAF sensor.
4. Loosen the clamp holding the MAF sensor to the air box and remove with the rubber grommet attached.
5. Remove the four bolts holding the air box down and remove the box.
6. Remove the filter and remaining air duct pieces.
7. Attach the filter to the filter box adapter and tighten the clamp.
8. Attach the air box to the washer bottle with the hardware provided.
9. Press the maf sensor with the grommet attached to the filter box adapter.
10. Attach the volant hump hose to the open end of the MAF and tighten the clamp.
11. Press the volant throttle body grommet onto the volant air duct.
12. Press the duct into the hump hose and onto the throttle body and tighten the remaining clamps.
13. Attach the breather hose onto the motor and onto the volant air duct.
14. Reattach the negative battery cable.

**WARNING: OVER TIGHTENING HARDWARE MAY ALTAR THE INTEGRITY OF THE VOLANT AIR INTAKE SYSTEM.**

**BEFORE ROAD TESTING**

1. Start engine, leaving the transmission in park and securing the parking brake.
2. Make sure to look and listen for any unusual noises or air leaks. Repair problems if needed.
3. Once completed it will be necessary to check periodically for realignment and tightening of all connections.
4. Once all tests are completed, enjoy the performance of your new Air Intake System.

**CARE AND CLEANING**

Check the cotton reusable filter periodically and remove any excessive dirt build-up by tapping the filter on the ground and brushing off the loosened dirt. Clean the filter by using Volant's Filter Recharger Kit. Volant's Filter Recharger Kit is designed to restore original air flow. Re-oil every 10,000 miles without cleaning to improve filtering in sand and dirt. Clean only when dirt is very excessive or 50,000 miles.

**RECOMMENDED SERVICE PARTS**

RECOMMENDED SERVICE PARTS	PART NO.
REPLACEMENT FILTER	5113
PREFILTER	51901
CLEANING KIT	5100

**APPLICATION GUIDE**

MY	MAKE	MODEL	ENG.
05-08	CHEVROLET	TRAILBLAZER	5.3L
06-08	CHEVROLET	TRAILBLAZER SS	6.0L
05-08	GMC	ENVOY	5.3L

**INSTALL**

