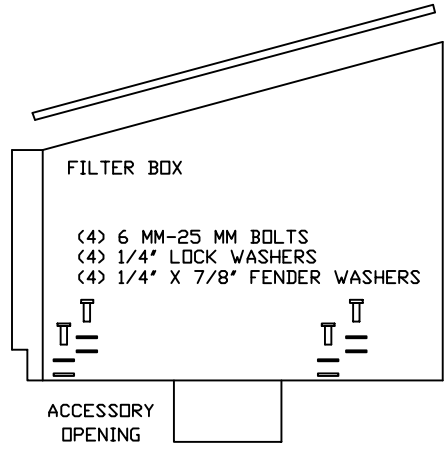


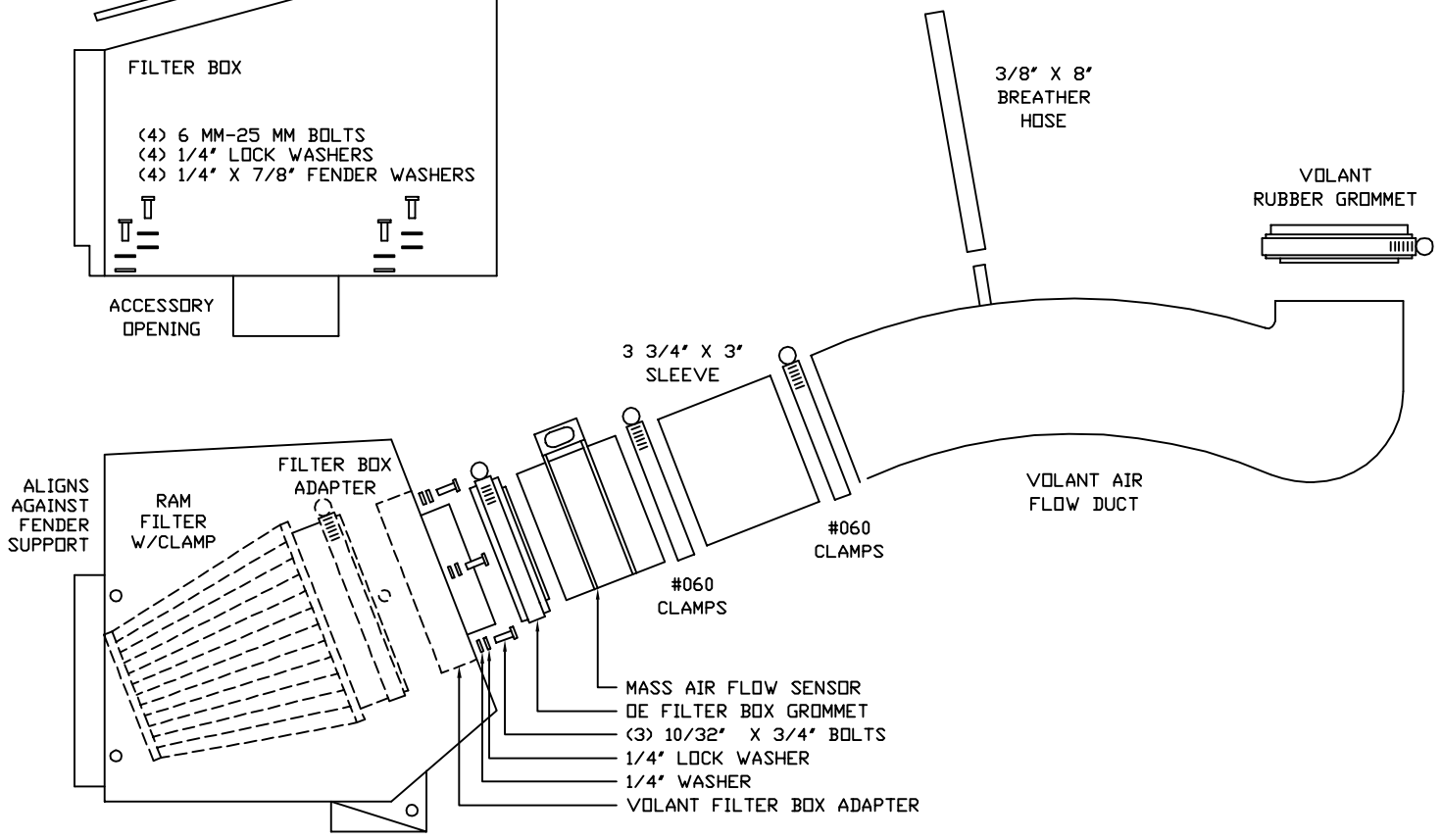
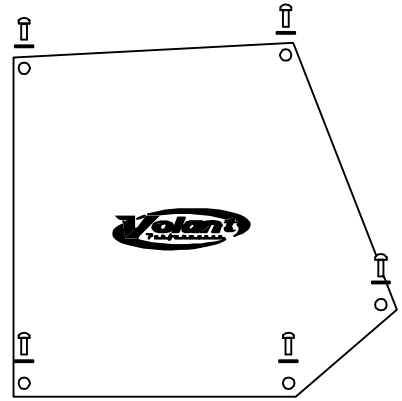
VOLANT COOL AIR INTAKES  
 PART NO.: 15260  
 INSTALLATION INSTRUCTIONS

15260 PARTS LIST

1	VOLANT FILTER BOX	1	3 3/4' X 3' SLEEVE	1	VOLANT RUBBER GROMMET
1	VOLANT FILTER BOX LID	2	#060 CLAMPS	1	3/8' X 8' BREATHER HOSE
1	VOLANT FILTER BOX ADAPTER	4	6 MM-25 BOLTS		
1	VOLANT AIR FLOW DUCT	3	10/32' X 3/4' BOLTS		
1	RAM FILTER W/CLAMP	4	1/4' X 7/8' FENDER WASHERS		
5	1/4'-20 TRUSS HEAD SCREWS	1	1/4' WASHERS		
5	1/4' RUBBER WASHERS	5	1/4' LOCK WASHERS		



(5) 1/4'-20 TRUSS HEAD SCREWS  
 (5) 1/4' RUBBER WASHERS





**READ INSTRUCTIONS THOROUGHLY BEFORE DISASSEMBLING. DO NOT SKIP ANY STEPS.**

### INSTALLATION INSTRUCTIONS PART NO. 15260

#### Installation Instructions:

1. Disconnect the negative battery cable.
2. Remove the engine cover by pulling up.
3. Loosen the clamp holding the air duct to the throttle body and to the MAF sensor, remove the breather hose from the left side valve cover and remove the duct.
4. Loosen the clamp holding the MAF sensor to the air box and remove the sensor with the grommet attached.
5. Remove the air box by pulling up.
6. Remove the air box mounting tray.
7. Place the volant box in the factory position and tighten down with the hardware provided.
8. Attach the Volant  lter and tighten clamp.
9. Attach the volant air box lid and tighten down with the hardware provided.
10. Press the factory MAF grommet onto the  lter box adapter and tighten the clamp.
11. Attach the 3.75 x 3 sleeve to the MAF and tighten with a #60 clamp.
12. Attach the Volant throttle body grommet to the air duct.
13. Press the duct into the sleeve and onto the throttle body tighten the #60 and #72 clamp.
14. Press the 3/8 breather hose onto the valve cover and volant duct.
15. Re attach the engine cover and battery cable.

**WARNING: OVER TIGHTENING HARDWARE MAY ALTAR THE INTEGRITY OF THE VOLANT AIR INTAKE SYSTEM.**

#### BEFORE ROAD TESTING

1. Start engine, leaving the transmission in park and securing the parking brake.
2. Make sure to look and listen for any unusual noises or air leaks. Repair problems if needed.
3. Once completed it will be necessary to check periodically for realignment and tightening of all connections.
4. Once all tests are completed, enjoy the performance of your new Air Intake System.

#### CARE AND CLEANING

Check the cotton reusable filter periodically and remove any excessive dirt build-up by tapping the filter on the ground and brushing off the loosened dirt. Clean the filter by using Volant's Filter Recharger Kit. Volant's Filter Recharger Kit is designed to restore original air flow. Re-oil every 10,000 miles without cleaning to improve filtering in sand and dirt. Clean only when dirt is very excessive or 50,000 miles.

### RECOMMENDED SERVICE PARTS

RECOMMENDED SERVICE PARTS	PART NO.
POWERCORE FILTER UPGRADE	61517
REPLACEMENT COTTON FILTER	5119
PREFILTER	51906
CLEANING KIT	5100

### APPLICATION GUIDE

MY	MAKE	MODEL	ENG.
2008	GM	SILVER/SIERRA HD	6.0

### INSTALL

