

VOLUME 49

VISION
WHEEL



306 RAPIER

2025



VISION[®]
WHEEL

IT'S A SIMPLE IDEA.

Make wheels with the perfect balance of Design & Technology, so drivers can enjoy the style they want and the performance they need.

Set fair prices so that our wheels are affordable for one and all.

And back it all up with the reliability and consistency that has been a hallmark of our family-owned company since we opened our first tire and wheel store in 1976.

At Vision Wheel, that is the commitment we live by. We have a proud 50-year heritage making high quality wheels for all different types of vehicles and industry categories. But what we really do is make wheels for people – people who see their vehicles as an extension of their hobbies, passions, and personalities.

So, if you're living the jeep life, Vision Wheel offers rugged looking styles that stand up to abuse on the trails you're hitting weekend after weekend.

If you're off-roading every chance you get, we have decades of experience designing durable wheels that can give you the trophy truck look while achieving peak performance.

Of course, it's not just about performance. When you're ready to change out the stock OE fitments on your truck for a more personal look, our designs will help you stand out from the crowd. We can also help you accessorize your American muscle car or classic hot rod with new, modern styles.

We are on the forefront of emerging technology – designing and manufacturing high-quality wheels for electric vehicles so you can improve your battery range and improve handling. And we couple that commitment with a dazzling breath of fresh styles and designs, so your vehicle always reflects your unique personality.

Our vision is simple. We want to help you make your vehicle feel like your vehicle.



VISION[®]

402 | RIOT

PG 02

VISION
WHEEL

TABLE OF CONTENTS

- 5 - TRUCK | SUV | JEEP | BRONCO**
- 21 - BEADLOCK/FORGED**
- 29 - ATV/UTV**
- 43 - AMERICAN MUSCLE**
- 53 - PASSENGER CAR**
- 61 - VAN**
- 67 - DUALY**
- 73 - TRAILER**
- 79 - GOLF CART**
- 85 - LIMITED AVAILABILITY**



VISION

TRUCK | SUV VISION





405 | KORUPT

PG 06

**VISION
WHEEL**

375 WARRIOR

FINISH GLOSS BLACK MACHINED FACE | CHROME | GLOSS BLACK | WINTER FINISH
SIZES 15X7.5 | 16X8 | 17X8.5 | 18X8.5 | 18X9 | 20X9



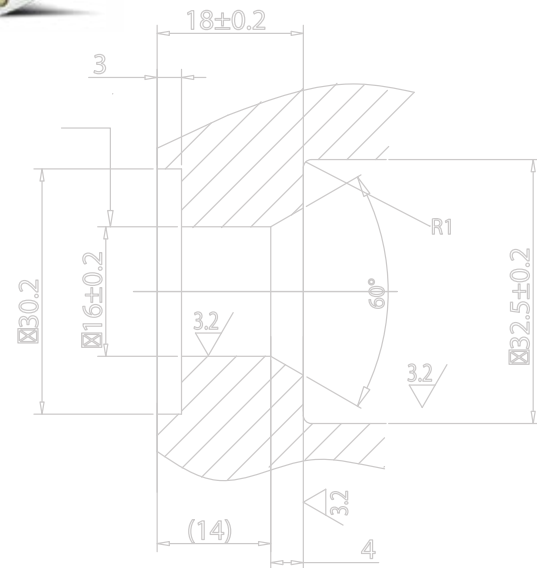
398 MANX

FINISH MATTE BLACK | GLOSS BLACK MACHINED | MACHINED (LIMITED SIZES)
SIZES 15X8 | 16X8 | 17X8.5 | 18X9



403 TACTICAL

FINISH SATIN BLACK | THRASHED GUNMETAL
SIZES 17X10 | 18X9.5 | 20X9.5 | 20X12



405 KORUPT

FINISH SATIN BLACK | GLOSS RED GLOSS BLACK LIP | SATIN BRONZE BLACK LIP | GLOSS BLACK MILLED
SIZES 16X8 | 17X8 | 17X9 | 18X9 | 20X9 | 20X10





56 | MIDWAY

VISION
WHEEL

WHAT'S YOUR VISION?

FOR TECHNICAL SPECIFICATIONS AND FITMENT INFORMATION PLEASE VISIT VISIONWHEEL.COM / [@VISIONWHEEL](https://twitter.com/VISIONWHEEL)

VISION®





TRUCK | SUV

409 | INFERNO

VISION®



VISION
WHEEL

WHAT'S YOUR VISION?

OFF-ROAD

FOR TECHNICAL SPECIFICATIONS AND FITMENT INFORMATION PLEASE VISIT VISIONWHEEL.COM / @VISIONWHEEL

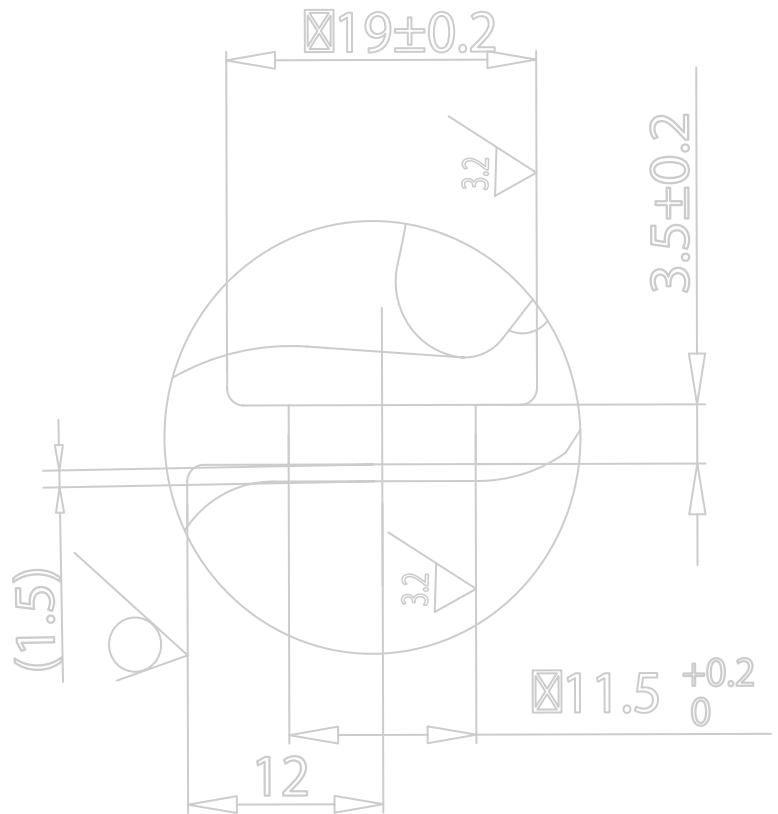
409 INFERNO

FINISH GLOSS BLACK MACHINED FACE | SATIN GRAY | SATIN BLACK | MILLED MACHINED FACE
SIZES 17X8.5 | 17X9 | 17X9.5 | 18X8.5 | 18X9 | 18X9.5 | 20X9 | 20X9.5 |



348 NEXUS

FINISH GLOSS BLACK MACHINED FACE
SIZES 15X7.5 | 16X8 | 17X8.5 | 18X8.5



349 SAVAGE

FINISH SATIN BLACK | GLOSS BLACK MACHINED LIP
SIZES 15X7 | 16X7 | 17X8 | 17X8.5 | 18X8 | 18X8.5





351 FLOW

FINISH BRONZE | SATIN BLACK | SATIN GRAY
SIZES 16X8 | 17X8 | 17X8.5 | 17X9 | 18X9 | 20X9



305 REKLUSE

NEW

FINISH GLOSS BLACK | GLOSS BLACK MACHINED FACE
SIZES 20X9 | 20X10 | 20X12 | 22X10 | 22X12 | 24X12



306 RAPIER

NEW

FINISH GLOSS BLACK MILLED SPOKE | CHROME
SIZES 20X9 | 20X10 | 20X12 | 22X10 | 22X12



VISION





VISION

305 | REKLUSE

PG 14

VISION
WHEEL

VISION®



306 | RAPIER

VISION
WHEEL

WHAT'S YOUR VISION?

FOR TECHNICAL SPECIFICATIONS AND FITMENT INFORMATION PLEASE VISIT VISIONWHEEL.COM / @VISIONWHEEL

361 SPYDER

FINISH SATIN BLACK | GLOSS BLACK MILLED | CHROME
SIZES 17X9 | 18X9 | 20X9 | 20X10 | 20X12 | 22X10 | 22X12 | 22X14 | 24X12



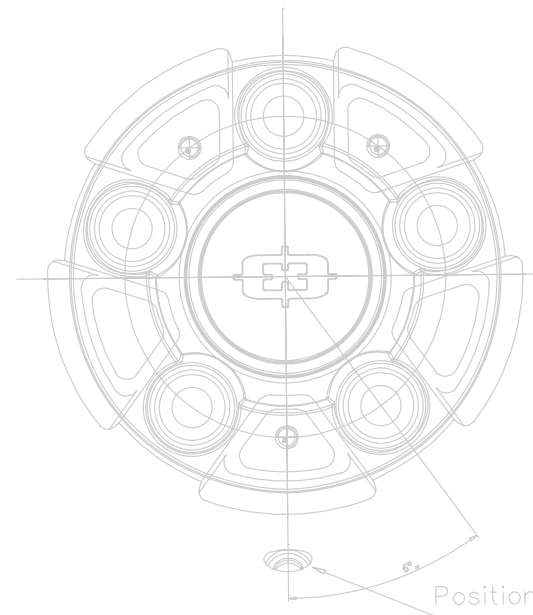
363 RAZOR

FINISH SATIN BLACK | GLOSS BLACK MILLED | CHROME | GLOSS BLACK RED TINT
SIZES 20X10 | 20X12 | 22X10 | 22X12 | 24X12



402 RIOT

FINISH RED TINT MILLED | GLOSS BLACK MACHINED | CHROME
SIZES 18X9 | 20X9 | 20X10 | 20X12 | 22X10 | 22X12 | 24X12



STREET

404 BRAWL

FINISH CHROME | GLOSS BLACK MILLED | SATIN BLACK
SIZES 20X9 | 20X10 | 20X12 | 22X10 | 22X12 | 22X14 | 24X12



412 ROCKER

FINISH SATIN BLACK | ANTHRACITE BLACK LIP | CHROME | GLOSS BLACK
SIZES 18X9 | 20X9 | 20X10 | 20X12 | 22X10 | 22X12 | 24X12



415 BOMB

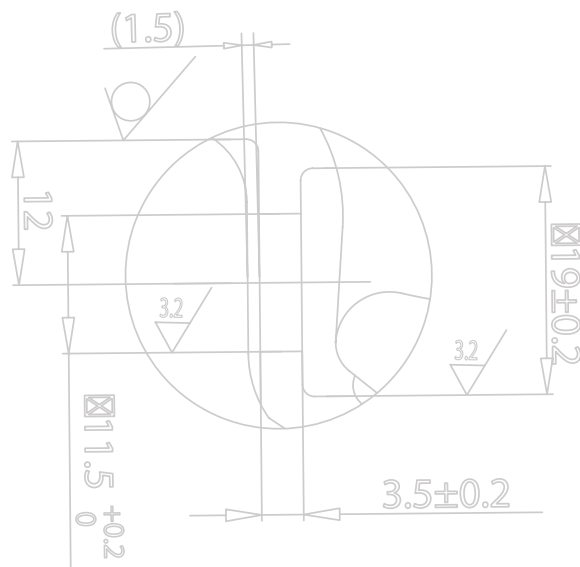
FINISH SATIN BLACK | GLOSS BLACK MILLED | CHROME
SIZES 20X9 | 20X10 | 20X12





348 NEXUS

FINISH GLOSS BLACK MACHINED FACE
SIZES 15X7.5 | 16X8 | 17X8.5 | 18X8.5



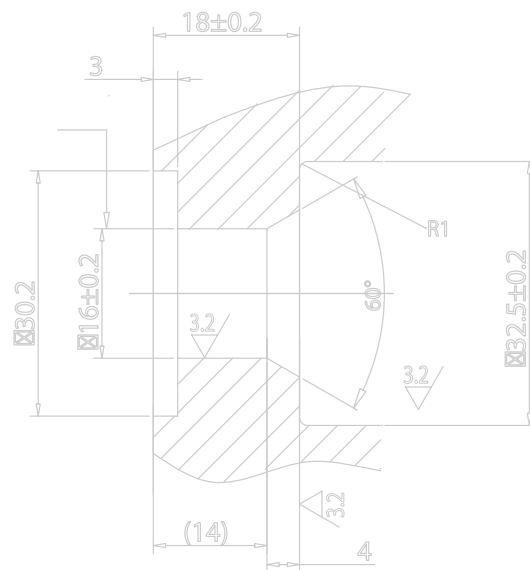
351 FLOW

FINISH BRONZE | SATIN BLACK | SATIN GRAY
SIZES 16X8 | 17X8 | 17X8.5 | 17X9 | 18X9 | 20X9



355 MANX 2 OVERLAND

FINISH SATIN BLACK | SATIN GRAY
SIZES 15X7.5 | 16X8 | 17X9



OVERLAND

BEADLOCK
FORGED



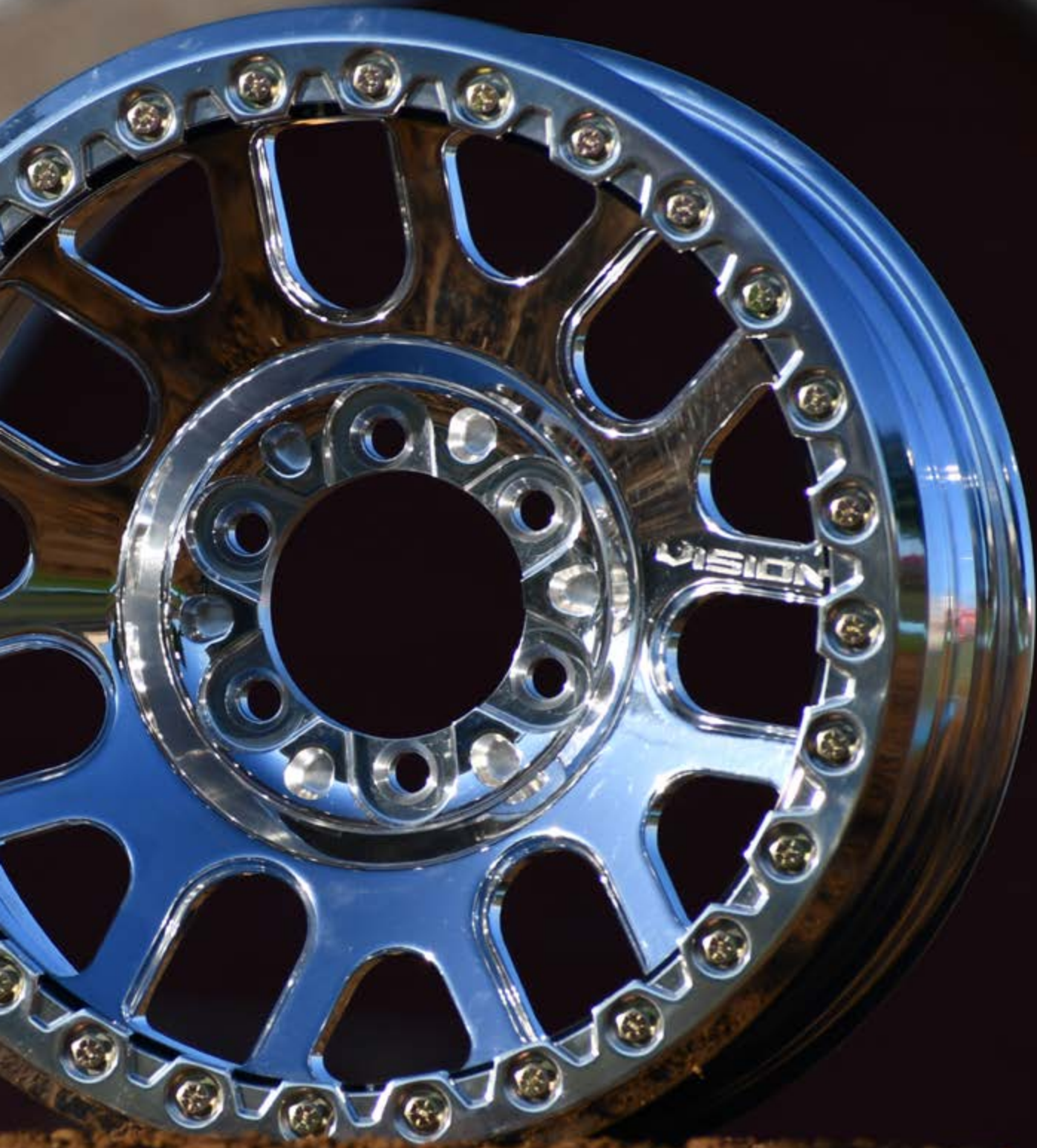
111 BL | FORGED NEMESIS

VISION
WHEEL

WHAT'S YOUR VISION?

FOR TECHNICAL SPECIFICATIONS AND FITMENT INFORMATION PLEASE VISIT VISIONWHEEL.COM / @VISIONWHEEL

BEADLOCK | FORGED



VISION[®]

NEW

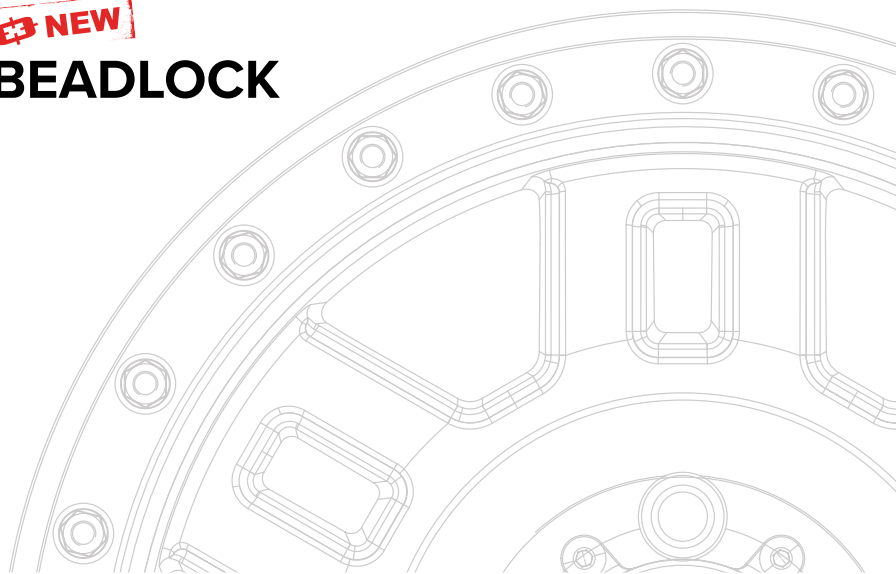
111BL FORGED NEMESIS BEADLOCK

FINISH POLISHED

SIZES 17X9 | 18X9 | 20X9

FOR OFFROAD USE ONLY

**TIRE
L6CK**
TECHNOLOGY



BEADLOCK
FORGED

VISION®



111BL | NEMESIS

VISION
WHEEL

WHAT'S YOUR VISION?

FOR TECHNICAL SPECIFICATIONS AND FITMENT INFORMATION PLEASE VISIT VISIONWHEEL.COM / @VISIONWHEEL

350BL OJOS BEADLOCK

FINISH BRONZE | SATIN BLACK | MACHINED

SIZES 15X8 | 17X9 | 20X9 (MACHINE ONLY)

NOTE SATIN BLACK BEADLOCK RING
FOR OFFROAD USE ONLY



398BL MANX BEADLOCK

FINISH MACHINED | SATIN BLACK | W/ MACHINED BEADLOCK RING

SIZES 17X8.5 | 17X9.5

DETAILS COMPETITION CAST ALUMINUM BEADLOCK
NO CAP AVAILABLE
FOR OFFROAD USE ONLY



398F FORGED MANX

FINISH MACHINED W/MACHINED BEADLOCK RING 

SIZES 17X9.5 BL II 18X9 NON-BL

DETAILS FORGED BEADLOCK - FORGED NON-BEADLOCK*
FOR OFFROAD USE ONLY



*NO CAP AVAILABLE

*CAP AVAILABLE



398F | MANX FORGED

VISION
WHEEL

WHAT'S YOUR VISION?

FOR TECHNICAL SPECIFICATIONS AND FITMENT INFORMATION PLEASE VISIT VISIONWHEEL.COM / @VISIONWHEEL



VISION[®]

VISION



BEADLOCK
FORGED



356BL | MANX 2

VISION
WHEEL

WHAT'S YOUR VISION?

FOR TECHNICAL SPECIFICATIONS AND FITMENT INFORMATION PLEASE VISIT VISIONWHEEL.COM / @VISIONWHEEL

346 STORM

NEW

FINISH GLOSS BLACK MILLED | POLISHED
SIZES 15X6 | 15X7 | 15X10

**TIRE
L6CK
TECHNOLOGY**



351BL FLOW UTV BEADLOCK

FINISH SATIN BLACK | MACHINED
SIZES 15X6 | 15X7
NOTE FOR OFFROAD USE ONLY

NEW

**TIRE
L6CK
TECHNOLOGY**



356BL MANX 2 UTV BEADLOCK

FINISH SATIN BLACK | MACHINED
SIZES 14X7 | 15X7
NOTE FOR OFFROAD USE ONLY

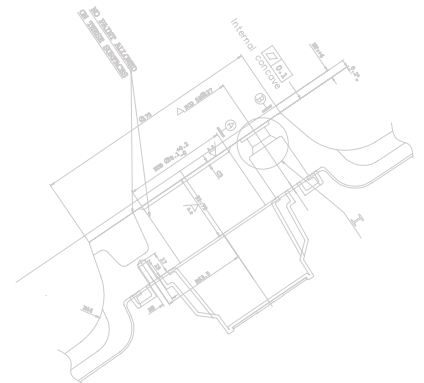
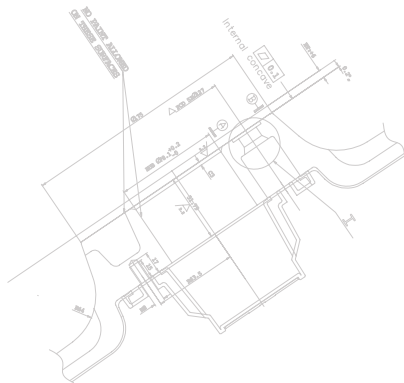
**TIRE
L6CK
TECHNOLOGY**

**FF
FLOW FORMED**



GV8BL INVADER BEADLOCK

FINISH SATIN BLACK | MACHINED
SIZES 15X6
NOTE FOR OFFROAD USE ONLY





VISION
WHEEL

WHAT'S YOUR VISION?

FOR TECHNICAL SPECIFICATIONS AND FITMENT INFORMATION PLEASE VISIT VISIONWHEEL.COM / @VISIONWHEEL



VISION[®]

ATV | UTV



ATV | UTV



VISION

346 | STORM

VISION
WHEEL

WHAT'S YOUR VISION?

FOR TECHNICAL SPECIFICATIONS AND FITMENT INFORMATION PLEASE VISIT VISIONWHEEL.COM / @VISIONWHEEL

351BL FLOW UTV BEADLOCK

FINISH SATIN BLACK | MACHINED

SIZES 15X6 | 15X7

NOTE FOR OFFROAD USE ONLY

NEW

TIRE
L6CK
TECHNOLOGY



351 FLOW

FINISH SATIN BLACK | MACHINED

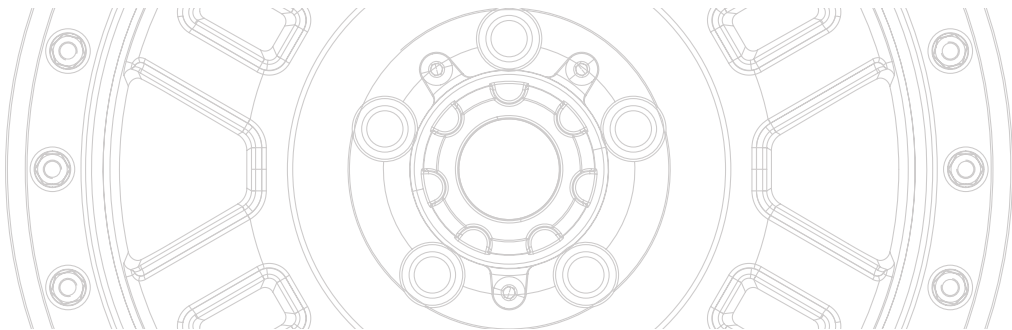
SIZES 15X6 | 15X7 | 15X10

NEW

TIRE
L6CK
TECHNOLOGY



VISION



VISION
WHEEL

WHAT'S YOUR VISION?

FOR TECHNICAL SPECIFICATIONS AND FITMENT INFORMATION PLEASE VISIT VISIONWHEEL.COM / @VISIONWHEEL

ATV | UTV

VISION[®]



ATV | UTV



VISION
WHEEL

WHAT'S YOUR VISION?

FOR TECHNICAL SPECIFICATIONS AND FITMENT INFORMATION PLEASE VISIT VISIONWHEEL.COM / @VISIONWHEEL



351 | FLOW

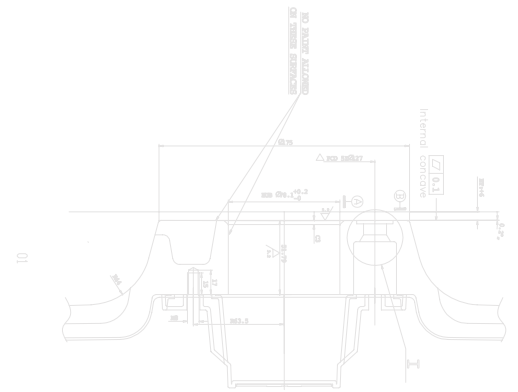
PG 36

VISION
WHEEL

361 SPYDER

FINISH GUNMETAL | MATTE BLACK

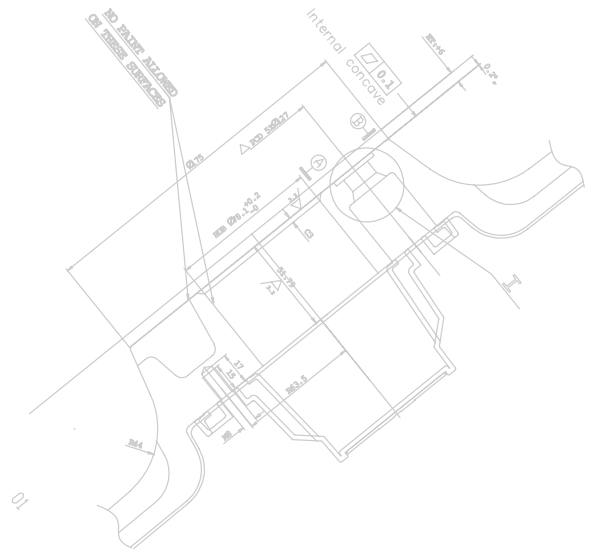
SIZES 12X7 | 12X8 | 14X7 | 15X7



393 LOCK-OUT

FINISH MATTE BLACK | MATTED BLACK MACHINED

SIZES 12X7 | 12X8 | 14X7 | 14X8 | 15X7 | 15X8



415 BOMB

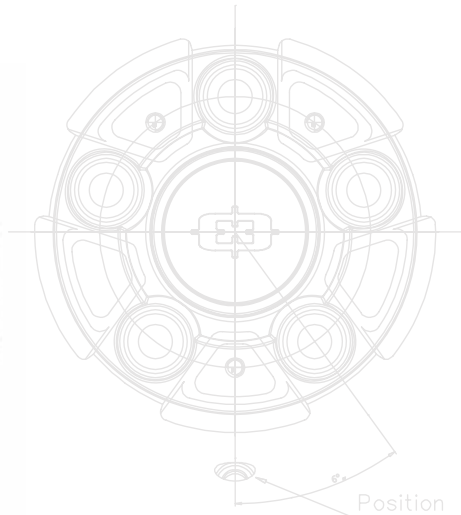
FINISH MATTE BLACK | GUNMETAL

SIZES 12X7 | 12X8 | 14X7 | 15X7



416 SEVEN

FINISH MATTE BLACK | GUNMETAL
SIZES 12X7 | 12X8 | 14X7 | 14X8 | 15X7



5-127

545 ROCKER UTV

FINISH SATIN BLACK | SATIN GRAY W/ BLACK LIP
SIZES 14X7 | 15X7



548 COMMANDER

FINISH MATTE BLACK MACHINED FACE
SIZES 12X7 | 12X8 | 14X7 | 14X8



550 FIVE-FIFTY

FINISH MATTE BLACK
SIZES 12X7 | 12X8 | 14X7 | 14X8



VISION[®]

GV8 BL | INVADER BEADLOCK

**UTV/ATV
TIRES**

**VISION
WHEEL**

WHAT'S YOUR VISION?

FOR TECHNICAL SPECIFICATIONS AND FITMENT INFORMATION PLEASE VISIT VISIONWHEEL.COM / @VISIONWHEEL



W306 JOURNEY

SIZE	PLY
22x11.00-10	4PLY
25x12.00-9	4PLY
25x12.00-10	6PLY



W311 JOURNEY

SIZE	PLY
18x9.50-8	4PLY
20x9.50-8	4PLY



W315 JOURNEY

SIZE	PLY
19x7.00-8	4PLY



W316 JOURNEY

SIZE	PLY
18x9.50-8	4PLY
19x9.50-8	4PLY



W321 JOURNEY

SIZE	PLY
23.5x8.00-11	4PLY



W318 JOURNEY

SIZE	PLY
25x12.00-9	4PLY



W322 JOURNEY

SIZE	PLY
18x9.50-8	4PLY
20x7.00-8	4PLY
22x11.00-8	4PLY



W329 JOURNEY

SIZE	PLY
16x8.00-7	4PLY



W319 JOURNEY

SIZE	PLY
145/70-6	2PLY
16x8.00-7	4PLY



W323 JOURNEY

SIZE	PLY
22x11.00-8	6PLY



W327 JOURNEY

SIZE	PLY
19x7.00-8	4PLY



W330 JOURNEY

SIZE	PLY
145/70-6	2PLY
19x7.00-8	4PLY

UTV | ATV
TIRES



W333 JOURNEY

SIZE	PLY
145/70-6	4PLY



W336 JOURNEY

SIZE	PLY
20x10.00-9	6PLY
22x10.00-10	4PLY



W340 JOURNEY

SIZE	PLY
19x7.00-8	4PLY



W350 JOURNEY

SIZE	PLY	SIZE	PLY	SIZE	PLY
23x8.00-11	4PLY	26x12.00-12	6PLY	28x10.00-14	8PLY
24x8.00-12	4PLY	26x9.00-12	6PLY	30x10.00 R14	8PLY
24x9.00-11	4PLY	27x10.00-12	6PLY	32x10.00 R14	8PLY
25x10.00-12	4PLY	27x10.00-14	6PLY		
25x11.00-10	4PLY	27x11.00-14	6PLY		
25x11.00-9	4PLY	27x12.00-12	6PLY		
25x12.00-9	4PLY	27x12.00-14	4PLY		
25x8.00-12	6PLY	27x9.00-12	6PLY		
26x10.00-12	6PLY	27x9.00-14	6PLY		



W354 JOURNEY

SIZE	PLY
25x10.00-12	6PLY
25x8.00-12	4PLY



W356 JOURNEY

SIZE	PLY
21x7.00-10	6PLY
22x7.00-10	6PLY



W357 JOURNEY

SIZE	PLY
20x11.00-10	6PLY
20x11.00-8	6PLY
20x11.00-9	6PLY
22x11-9	6PLY



W375 JOURNEY

SIZE	PLY
25x10.00-12	6PLY
25x8.00-12	6PLY
26x12.00-12	6PLY
26x9.00-12	6PLY
27x12.00-12	6PLY
27x9.00-12	6PLY



W393 JOURNEY

SIZE	PLY
25x10.00-12	6PLY
25x8.00-12	6PLY

KT 306



W396 JOURNEY

SIZE	PLY
26x11.00-14	6PLY
26x11.00-12	6PLY
26x9.00-14	6PLY
26x9.00-12	6PLY



W3057 JOURNEY

SIZE	PLY
28x10 R15	8PLY
30x10 R15	8PLY
32x10 R15	8PLY



NEW
WWL31
ROCK POISON

SIZE	PLY
32x10.00 R15	8PLY
35x10.00 R15	8PLY
37x10.00 R15	8PLY



**UTV / ATV
TIRES**

WWL 31 | ROCK POISON

PG 42

VISION
WHEEL

VISION®

DRUMS

RE



AMERICAN
MUSCLE

54 | CHEYENNE

VISION
WHEEL

WHAT'S YOUR VISION?

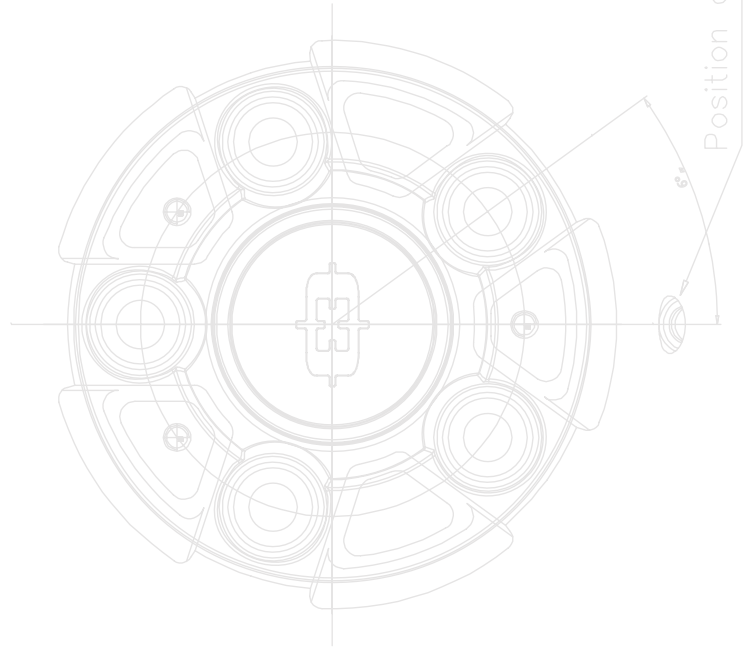
FOR TECHNICAL SPECIFICATIONS AND FITMENT INFORMATION PLEASE VISIT VISIONWHEEL.COM / @VISIONWHEEL



AMERICAN MUSCLE

54 CHEYENNE

FINISH SILVER MACHINED LIP
SIZES 15X7 | 15X8 | 15X10 | 17X8 | 17X9 | 18X8 | 18X9
20X9 | 20X10 | 22X9 | 22X10



5-127

55 RALLY STEEL

FINISH SILVER W/OPTIONAL CAP AND TRIM RING
SIZES 15X4 | 15X5 | 15X6 | 15X7 | 15X8 | 15X10
NOTES CAPS AND RINGS SOLD SEPARATELY



55A RALLY ALUMINUM

FINISH GUNMETAL MACHINED LIP W/OPTIONAL CAP
SIZES 17X7 | 17X8 | 18X8.5 | 18X9.5 | 20X8.5 | 20X9.5
NOTES CAPS AND RINGS SOLD SEPARATELY



VISION®



55 | RALLY

PG 46

VISION
WHEEL

VISION®



AMERICAN
MUSCLE

142 | LEGEND

141 LEGEND 5

FINISH GLOSS BLACK MACHINED LIP | GUNMETAL MACHINED LIP | CHROME
SIZES 15X7 | 15X8 | 17X8 | 17X9



VISION
WHEEL

WHAT'S YOUR VISION?

FOR TECHNICAL SPECIFICATIONS AND FITMENT INFORMATION PLEASE VISIT VISIONWHEEL.COM / @VISIONWHEEL

143 TORQUE

FINISH GUNMETAL MACHINED LIP

SIZES 15X7 | 15X8 | 18X8.5 | 18X9.5 | 20X8.5 | 20X9.5



OPTIONAL SPINNER CAP

147 DAYTONA

FINISH SATIN BLACK | HYPER SILVER

SIZES 15X7 | 15X8 | 17X8 | 20X8.5



148 SHIFT

FINISH SATIN GRAY MACHINED

SIZES 15X5.5 | 15X7 | 15X8 | 17X8 | 17X9

NOTES 6 LUG AVAILABLE IN 17X8 ONLY



5 LUG

OPTIONAL SPINNER CAP



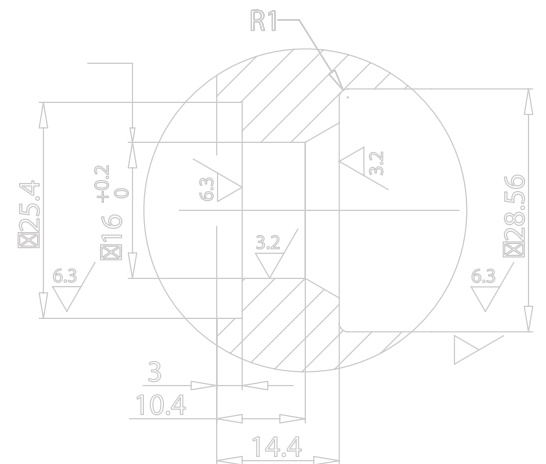
6 LUG

OPTIONAL SPINNER CAP

149 PATRIOT

FINISH BLACK MILLED | BLACK MILLED SPOKE WITH POLISHED LIP

SIZES 15X4 | 15X7 | 15X8 | 15X10 | 17X4.5 | 17X7 | 17X8 | 17X10



2015



149 | PATRIOT

PG 50

**VISION
WHEEL**

521 NITRO

FINISH GLOSS BLACK MACHINED LIP | POLISHED

SIZES 15X4 | 15X7 | 15X8 | 15X10



531 SPORT LITE

FINISH GLOSS BLACK | POLISHED

SIZES 15X4 | 15X7 | 15X8 | 15X10



VISION®

149 | PATRIOT



AMERICAN
MUSCLE

561 SPORT MAG

FINISH GLOSS BLACK MILLED | POLISHED
SIZES 15X4 | 15X7 | 15X8 | 15X10 | 17X4.5



571 SPORT STAR II

FINISH GLOSS BLACK MILLED | POLISHED
SIZES 15X4 | 15X7 | 15X8 | 15X10 | 17X4.5





PASSENGER
CAR

VISION
WHEEL

WHAT'S YOUR VISION?

FOR TECHNICAL SPECIFICATIONS AND FITMENT INFORMATION PLEASE VISIT VISIONWHEEL.COM / @VISIONWHEEL

VISION[®]
PASSENGER CAR

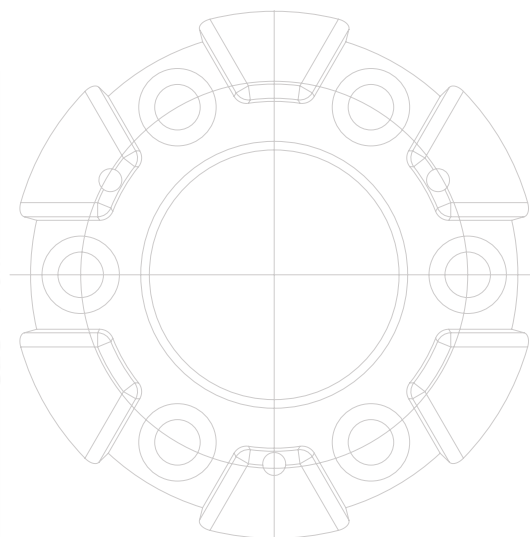
473 | AXIS

PG 54

VISION
WHEEL

18 HELLION

FINISH GUNMETAL | GLOSS BLACK
SIZES 14X5.5 | 15X6.5 | 16X7 | 17X7.5 | 18X8



425 BANE

FINISH MATTE BLACK | GUNMETAL | HYPER SILVER | CHROME
SIZES 15X6.5 | 16X7 | 17X7



426 CROSS

FINISH MATTE BLACK | GUNMETAL | HYPER SILVER | CHROME | SILVER (WINTER PAINT SERIES)
SIZES 14X5.5 | 15X6.5 | 16X7 | 17X7.5 | 18X8 | 19X8 | 20X8.5



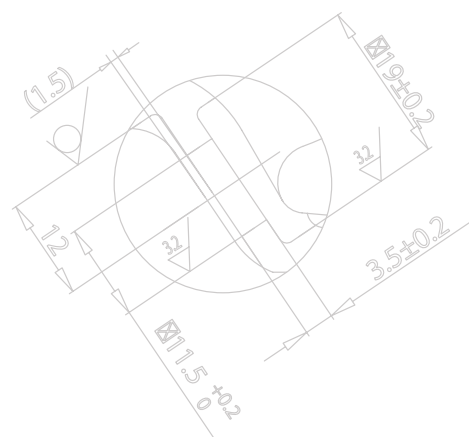
469 BOOST

FINISH SATIN BLACK | GLOSS BLACK MACHINED | SILVER
SIZES 15X6.5 | 16X7 | 16X7.5 | 17X7 | 17X8 | 18X8 | 20X8.5



471V SPLINTER

FINISH SATIN BLACK | GLOSS BLACK MACHINED
SIZES 18X8.5 | 20X9 | 20X10.5 | 22X9 | 22X10.5



472V SWITCHBACK

FINISH GLOSS BLACK MACHINED | SATIN BLACK | CHROME
SIZES 20X9 | 22X9.5 | 24X9.5





PASSENGER
CAR

VISION
WHEEL

WHAT'S YOUR VISION?

FOR TECHNICAL SPECIFICATIONS AND FITMENT INFORMATION PLEASE VISIT VISIONWHEEL.COM / @VISIONWHEEL



VISION[®]

473 | AXIS

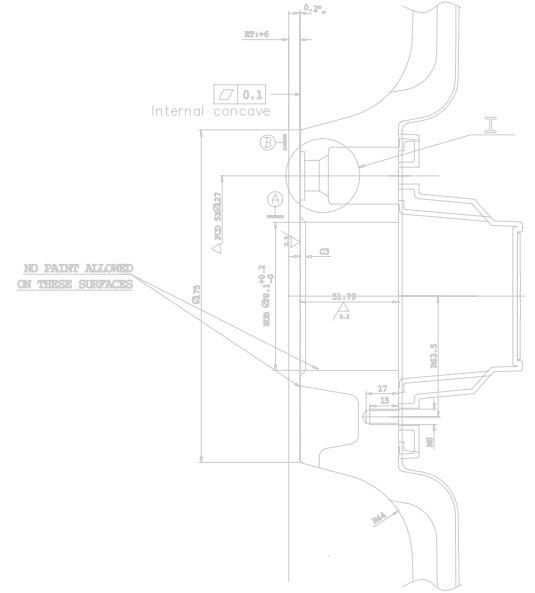
PG 58

VISION
WHEEL

473 AXIS

FINISH GLOSS BLACK | HYPER SILVER MACHINED
SIZES 16X7.5 | 17X8 | 18X8 | 19X8 | 20X8.5

NEW SIZES



01

474 RECOIL

FINISH SATIN BLACK | GLOSS BLACK MACHINED | HYPER SILVER
SIZES 17X8 | 18X8 | 20X8.5



475V CLUTCH

FINISH GLOSS BLACK MACHINED | GUNMETAL | HYPER SILVER
SIZES 18X8.5 | 19X8.5 | 20X9 | 20X10.5 | 22X9

NEW SIZES



478 ALPINE

FINISH GLOSS BLACK BRUSHED LIP | GLOSS BLACK RED TINTED BRUSHED LIP | GOLD MACHINED LIP
SIZES 16X8 | 17X8 | 18X8.5 | 20X8.5



VISION
WHEEL

WHAT'S YOUR VISION?

FOR TECHNICAL SPECIFICATIONS AND FITMENT INFORMATION PLEASE VISIT VISIONWHEEL.COM / @VISIONWHEEL

PASSENGER
CAR

477 MONACO

FINISH BRONZE | SATIN BLACK | MATTE GRAPHITE
SIZES 15X7 | 17X7 | 17X8 | 18X8 | 20X8.5

NEW SIZES



640 NITROUS

NEW

FINISH GLOSS BLACK MACHINED FACE | GUNMETAL MACHINED FACE
SIZES 15X6.5 | 16X7 | 17X7.5 | 18X8 | 19X8.5 | 20X8.5



STEEL WHEELS

SW 60

STEEL WHEEL

FINISH GLOSS BLACK
SIZES 14X5.5 | 15X6 | 15X6.5
16X6.5 | 17X6.5 | 18X7.5



84D WINDOW

STEEL WHEEL

FINISH GLOSS BLACK
SIZES 15X7 | 15X8 | 15X10
16X7 | 16X8 | 17X8 | 17X9



85 SOFT 8

STEEL WHEEL

FINISH GLOSS BLACK
SIZES 15X7 | 15X8 | 15X10
16X7 | 16X8 | 17X8 | 17X9



JG 70

STEEL WHEEL

FINISH BLACK | SILVER
SIZES 13X4.5 | 14X4.5 | 15X6 | 16X6



55 RALLY

STEEL WHEEL

FINISH SILVER W/OPTIONAL CAP AND TRIM RING
SIZES 15X4 | 15X5 | 15X6 | 15X7 | 15X8 | 15X10
NOTES CAPS AND RINGS SOLD SEPARATELY



PG 60

VISION
WHEEL



VAN

VISION
WHEEL

WHAT'S YOUR VISION?

FOR TECHNICAL SPECIFICATIONS AND FITMENT INFORMATION PLEASE VISIT VISIONWHEEL.COM / @VISIONWHEEL



VAN

VISION®

PG 62

VISION
WHEEL

375 WARRIOR

FINISH GLOSS BLACK MACHINED FACE

SIZES 16X6.5



410 KORUPT

NEW

FINISH GLOSS BLACK MILLED | SATIN BLACK

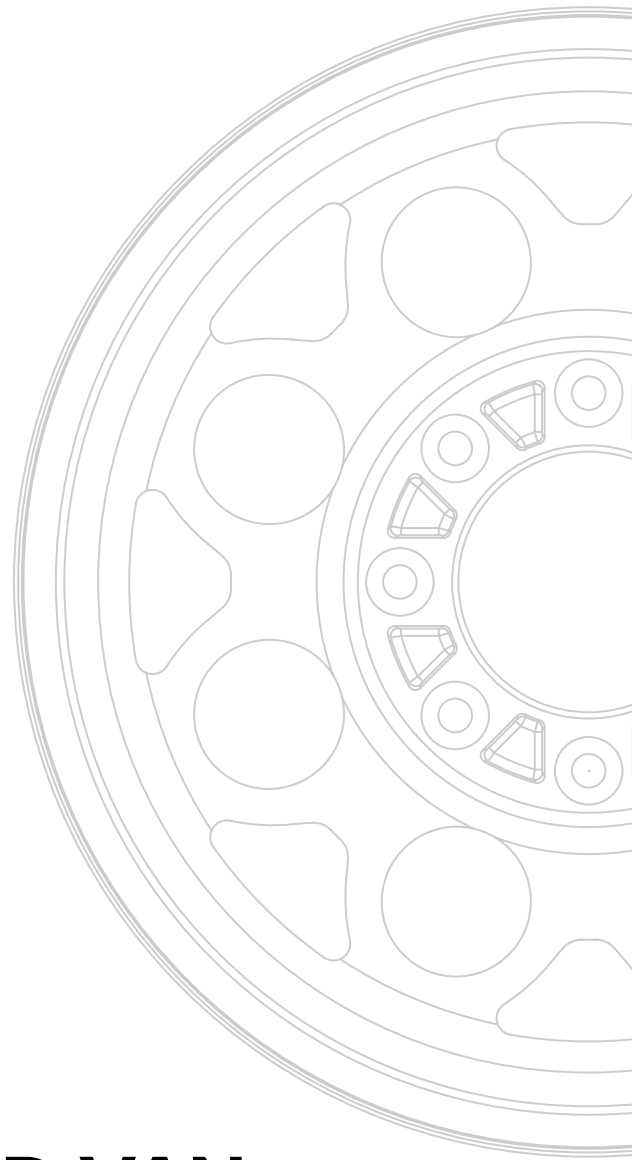
SIZES 16X6.5 | 17X7.5



355 MANX 2 OVERLAND VAN

FINISH SATIN BLACK | CHROME

SIZES 16X6.5 | 17X7.5



VAN

VISION
WHEEL

WHAT'S YOUR VISION?

FOR TECHNICAL SPECIFICATIONS AND FITMENT INFORMATION PLEASE VISIT VISIONWHEEL.COM / @VISIONWHEEL

OVERLAND

VISION[®]



355 | MANX

PG 64

VISION
WHEEL

410 KORUPT VAN DUALY

FINISH GLOSS BLACK MILLED | SATIN BLACK

SIZES 16X6.0



PG 66

VISION
WHEEL




DUALLY

VISION
WHEEL

WHAT'S YOUR VISION?

FOR TECHNICAL SPECIFICATIONS AND FITMENT INFORMATION PLEASE VISIT VISIONWHEEL.COM / @VISIONWHEEL

VISION®



DUALLY

56 MIDWAY DUALY **NEW**

FINISH SATIN BLACK | POLISHED
SIZES 16X6 | 17X6.5 | 20X8.25



181 HAULER DUALY

FINISH MACHINED CLEAR COAT
SIZES 16X6 | 17X6.5 | 19.5X6.75*



*NON-RIVETED OPTION
ONLY AVAILABLE IN 19.5

181 HAULER DUALY

FINISH CHROME
SIZES 16X6 | 17X6.5 | 19.5X6.75*



*NON-RIVETED OPTION
ONLY AVAILABLE IN 19.5

408 | MANX 2 DUALY




DUALY

VISION®

VISION
WHEEL

WHAT'S YOUR VISION?

FOR TECHNICAL SPECIFICATIONS AND FITMENT INFORMATION PLEASE VISIT VISIONWHEEL.COM / @VISIONWHEEL

408 MANX 2 DUALY

FINISH SATIN BLACK | SATIN GRAY W/BLACK
SIZES 16X6 | 17X6.5



410 KORUPT DUALY

FINISH SATIN BLACK | GLOSS BLACK MILLED
SIZES 16X6 | 17X6.5



VISION[®] TRAILER



398 MANX FORGED BEADLOCK - COMPETITION



TRAILER

VISION
WHEEL

WHAT'S YOUR VISION?

FOR TECHNICAL SPECIFICATIONS AND FITMENT INFORMATION PLEASE VISIT VISIONWHEEL.COM / @VISIONWHEEL



351 FLOW - CUSTOM FITMENT

353 TURBINE

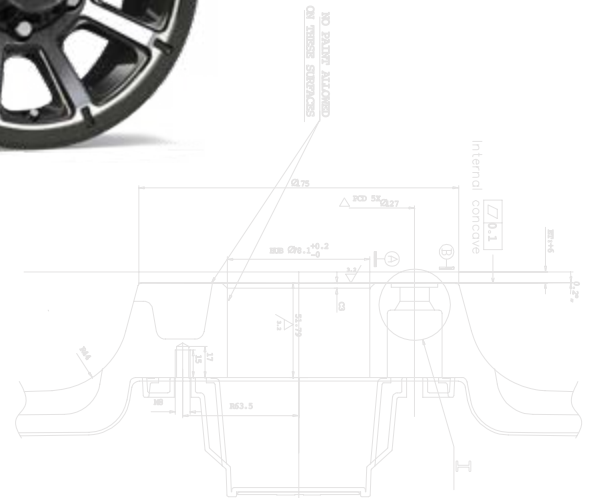
FINISH GUNMETAL MACHINED FACE | SATIN BLACK | GLOSS BLACK MACHINED FACE
SIZES 14X5.5 | 15X6 | 17X6.5 | 18X9



GUNMETAL MACHINED FACE
ONLY OFFERED IN 17X6.5 & 18X9

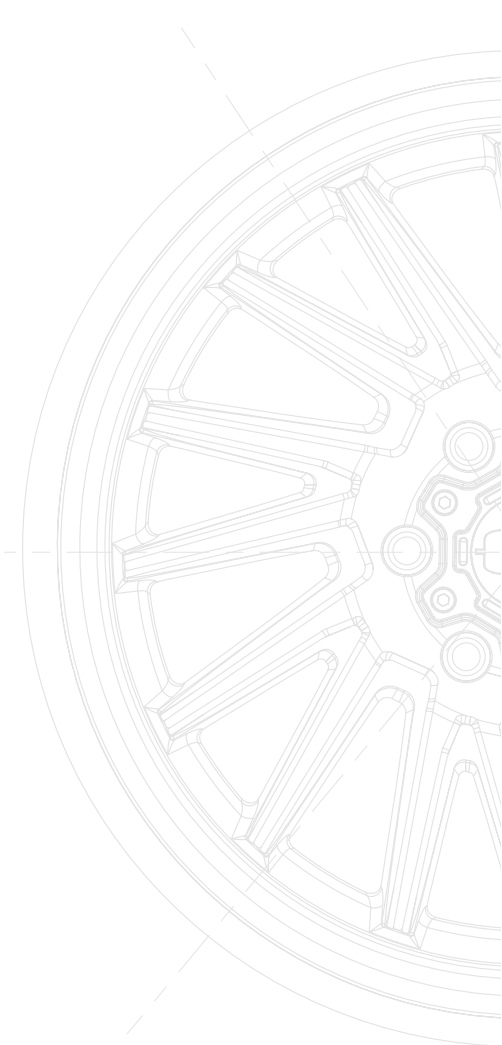
375 WARRIOR

FINISH GLOSS BLACK MACHINED FACE | MARINE PAINT SILVER
SIZES 13X4.5 | 14X5.5 | 15X6 | 16X6



390 EMPIRE

FINISH SATIN BLACK | GLOSS BLACK MILLED
SIZES 15X6 | 16X6 | 18X9

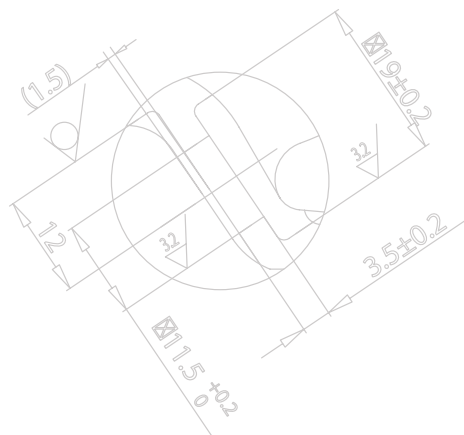


TRAILER

56 MIDWAY TRAILER NEW

FINISH SATIN BLACK | POLISHED

SIZES 13X4.5 | 14X5.5 | 15X6 | 16X7 | 17.5X6.75



81 HEAVY HAULER

FINISH MATTE BLACK | MACHINED CLEAR COAT

SIZES 16X6



VISION®

353 | TURBINE

PG 76

VISION
WHEEL

TRAILER TIRES



TRAILER

VISION[®]

VISION
WHEEL

WHAT'S YOUR VISION?

FOR TECHNICAL SPECIFICATIONS AND FITMENT INFORMATION PLEASE VISIT VISIONWHEEL.COM / @VISIONWHEEL



W811 JOURNEY

SIZE	PLY
4.80/4.00-8	4PLY
4.80/4.00-8	6PLY
4.80/4.00-8	6PLY
4.80-12	4PLY
4.80-12	6PLY
5.30-12	4PLY
5.30-12	6PLY
5.30-12	8PLY
5.70-8	6PLY

SIZE	PLY
5.70-8	8PLY
5.70-8	4PLY



W815 JOURNEY

SIZE	PLY
16.5x6.50-8	6PLY
18.5x8.50-8	6PLY
20.5x8.00-10	10PLY
20.5x8.00-10	8PLY



WR078 HEAVY HAULER

PART #	SIZE	PLY	TREAD DEPTH (IN/MM)	RIM WIDTH (IN)	OD (IN)	MAX LOAD	PSI	LOAD/SPEED INDEX	GROSS WEIGHT
WR07817580136DTAP	ST175/80R13	6	6.5 MM	5.5	26.0	1360	50	91/87L	16.6 LBS
WR07820575148DTAP	ST205/75R14	8	1/4 IN	5.5	26.0	1760/1570	50	100/96L	23.5 LBS
WR07820575156DTAP	ST205/75R15	6	1/4 IN	5.5	26.9	1820/1610	50	101/97L	24.3 LBS
WR078225751610DTAP	ST225/75R15	10	1/4 IN	6.0	28.1	2830/2470	80	117/112L	28.0 LBS
WR07822575158DTAP	ST225/75R15	8	1/4 IN	6.0	28.1	2540/2200	65	113/108L	28.6 LBS
WR078HH235801610DTAP	ST235/80R16	10	9/32 IN	6.5	30.6	3520/3000	80	124/119L	35.75 LBS



WR090 HEAVY HAULER

PART #	SIZE	PLY	TREAD DEPTH (IN/MM)	RIM WIDTH (IN)	OD (IN)	MAX LOAD	PSI	LOAD/SPEED INDEX	GROSS WEIGHT
WR090HH235851610DTAP	ST235/85R16	10	9/32 IN	7.0	31.5	3640/3200	80	125/121L	36.3 LBS

VISION
MARINE

WVS690 VISION MARINE HEAVY HAULER



PART #	SIZE	PLY	TREAD DEPTH (IN/MM)	RIM WIDTH (IN)	OD (IN)	MAX LOAD	PSI	LOAD/SPEED INDEX	GROSS WEIGHT
WVS6902654018R10DTAP	265/40R18	10	9/32 IN	9.0	26.3	2350	75	110/M	35.4 LBS
WVS6902156517R10DTAP	215/65R17	10	9/32 IN	7.0	28	2470	80	121/M	29.7 LBS
WVS6902056514R8DTAP	205/65R14	8	9/32 IN	5.5	24.4	1820	65	101/M	23.8 LBS
WVS6902156015R10DTAP	ST215/60R15	10/E	9/32	7.0	25	2150	80	81/M	25.3 LBS



TRAILER
TIRES

VISION[®] GOLF CART



GOLF CART

393 | LOCKOUT

**VISION
WHEEL**

WHAT'S YOUR VISION?

FOR TECHNICAL SPECIFICATIONS AND FITMENT INFORMATION PLEASE VISIT VISIONWHEEL.COM / @VISIONWHEEL



TOYOTA

SiriusXM

GR TOYOTA
GAZOO
RACING
NORTH AMERICA



**MATCO
TOOLS**

LUCAS OIL.

FVP
VERIFIED. PROVEN.

HANGSTERFER'S
METALWORKING & LUBRICANTS

6TF

HOLZHAUSER
Race and Motorsports Group

AB
MOTORSPORTS

393 LOCK-OUT

FINISH MATTED BLACK MACHINED | MATTE BLACK

SIZES 12X7 | 12X8 | 14X7 | 14X8



415 BOMB

FINISH MATTE BLACK | GUNMETAL

SIZES 12X7 | 12X8 | 14X7



416 SEVEN

FINISH GUNMETAL

SIZES 12X7 | 14X8



GOLF CART TIRES



**W334
JOURNEY**

SIZE	PLY
22x11.00-8	4PLY
23x10.50-12	4PLY



**W820
JOURNEY**

SIZE	PLY
205/50-10	4PLY



**W823
JOURNEY**

SIZE	PLY
225/55-B12	6PLY



**W825
JOURNEY**

SIZE	PLY
205/65-10	4PLY
215/40-12	4PLY
215/50-12	4PLY
215/60-8	4PLY



**W826
JOURNEY**

SIZE	PLY
205/50-10	4PLY
225/45-10	4PLY



**W3026
JOURNEY**

SIZE	PLY
22x11.00-10	4PLY
23x10.50-12	4PLY
23x10.00-14	4PLY



**W3026B
JOURNEY**

SIZE	PLY
22.5x10-8	4PLY
22x9.50-10	4PLY
25x13-9	4PLY



**W509
JOURNEY**

SIZE	PLY
18x8.50	6PLY



**W8039
JOURNEY**

SIZE	PLY
21x10.50-12	6PLY
23x10.50-12	6PLY

VX GOLF



**W8039A
JOURNEY**

SIZE	PLY
21x10.50-12	6PLY
23x10.50-12	6PLY

VX GOLF II

LAWN & GARDEN TIRES



**W328
JOURNEY**

SIZE	PLY
18x9.5-8	2PLY
20x10.00-8	4PLY



**W332
JOURNEY**

SIZE	PLY	SIZE	PLY	SIZE	PLY	SIZE	PLY	SIZE	PLY	SIZE	PLY
4.10/3.50-4	2PLY	13X5.00-6	4PLY	16X6.50-8	2PLY	18X8.50-8	2PLY	20X8.00-8	4PLY	22X10-10	4PLY
4.10/3.50-4	4PLY	13X5.00-6	6PLY	16X6.50-8	4PLY	18X8.50-8	4PLY	20X8.00-10	4PLY	22X10-10	6PLY
4.80/4.00-8	2PLY	13X5.00-6	2PLY	16X6.50-8	6PLY	18X8.50-8	4PLY	20X8.00-10	6PLY	22X11.00-10	4PLY
4.80/4.00-8	4PLY	13X5.00-6	4PLY	16X7.50-8	2PLY	18X8.50-10	4PLY	20X10.00-8	2PLY	23X8.50-12	4PLY
11X4.00-4	2PLY	13X6.50-6	4PLY	16X7.50-8	4PLY	18X9.50-8	2PLY	20X10.00-8	4PLY	23X8.50-12	6PLY
11X4.00-4	4PLY	15X6.00-6	2PLY	16X7.50-8	6PLY	18X9.50-8	4PLY	20X10.00-8	6PLY	23X9.50-12	2PLY
11X4.00-5	2PLY	15X6.00-6	4PLY	18X6.50-8	4PLY	18X9.50-8	6PLY	20X10.00-10	4PLY	23X9.50-12	4PLY
11X4.00-5	4PLY	15X6.00-6	6PLY	18X7.00-8	4PLY	18X10.50-10	4PLY	20X10-10	6PLY	23X10.50-12	2PLY
13X5.00-6	2PLY	15X6.50-8	4PLY	18X7.00-8	6PLY	20X8.00-8	2PLY	22X9.50-12	4PLY	23X10.50-12	4PLY

GOLF CART
TIRES



**W501
JOURNEY**

SIZE	PLY
20x8.00-8	4PLY



**W508
JOURNEY**

SIZE	PLY
13X5.00-6	4PLY
16X6.50-8	4PLY
6X6.50-6	6PLY
18X8.50-8	4PLY



**W532
JOURNEY**

SIZE	PLY
22x9.50-10	4PLY

LIMITED AVAILABILITY

9012 MILIANNI KAPRI

FINISH SATIN BLACK | GLOSS BLACK MACHINED FACE | CHROME
SIZES 20X10.5



9042 MILIANNI SULTAN

FINISH MATTE BLACK W/ANTHRACITE SPOKE ENDS | CHROME
SIZES 17X8 | 20X9 | 22X9.5 | 24X9.5



9052 MILIANNI TYCOON

FINISH GRAPHITE MIRROR MACHINED FACE
SIZES 20X10.5



471 MILIANNI SPLINTER

FINISH SATIN BLACK | GLOSS BLACK MACHINED
SIZES 18X8.5 | 20X9 | 20X10.5 | 22X9 | 22X10.5 | STAGGERED FITMENTS AVAILABLE



472 MILIANNI SWITCHBACK

FINISH SATIN BLACK | GLOSS BLACK MACHINED | CHROME

SIZES 20X9 | 22X9.5 | 24X9.5



475 MILIANNI CLUTCH

FINISH GUNMETAL | GLOSS BLACK MACHINED | HYPER SILVER

SIZES 18X8.5 | 20X9 | 20X10.5 | 22X9



362 ARMOR

FINISH SATIN BLACK

SIZES 18X9 | 20X9 | 20X10



SILVER BOLTS

362 ARMOR

FINISH GLOSS BLACK MILLED

SIZES 18X9 | 20X9 | 20X10



SILVER BOLTS

476 WEDGE

FINISH GLOSS BLACK | GUNMETAL MACHINED | CHROME

SIZES 20X9 | 22X9.5 | 24X9.5



413 VALOR

FINISH GLOSS BLACK MACHINED FACE

SIZES 15X7.5 | 16X6.5 | 16X8 | 17X8.5 | 18X8.5



422 PROWLER

FINISH GLOSS BLACK MACHINED FACE

SIZES 17X9 | 18X9 | 20X9 | 20X12



423 MANIC

FINISH GLOSS BLACK MACHINED FACE

SIZES 17X9 | 18X9 | 20X9 | 20X10



544BL BOLT BEADLOCK

FINISH SATIN BLACK

SIZES 14X7

NOTE FOR OFFROAD USE ONLY



VISION[®]

LIMITED AVAILABILITY



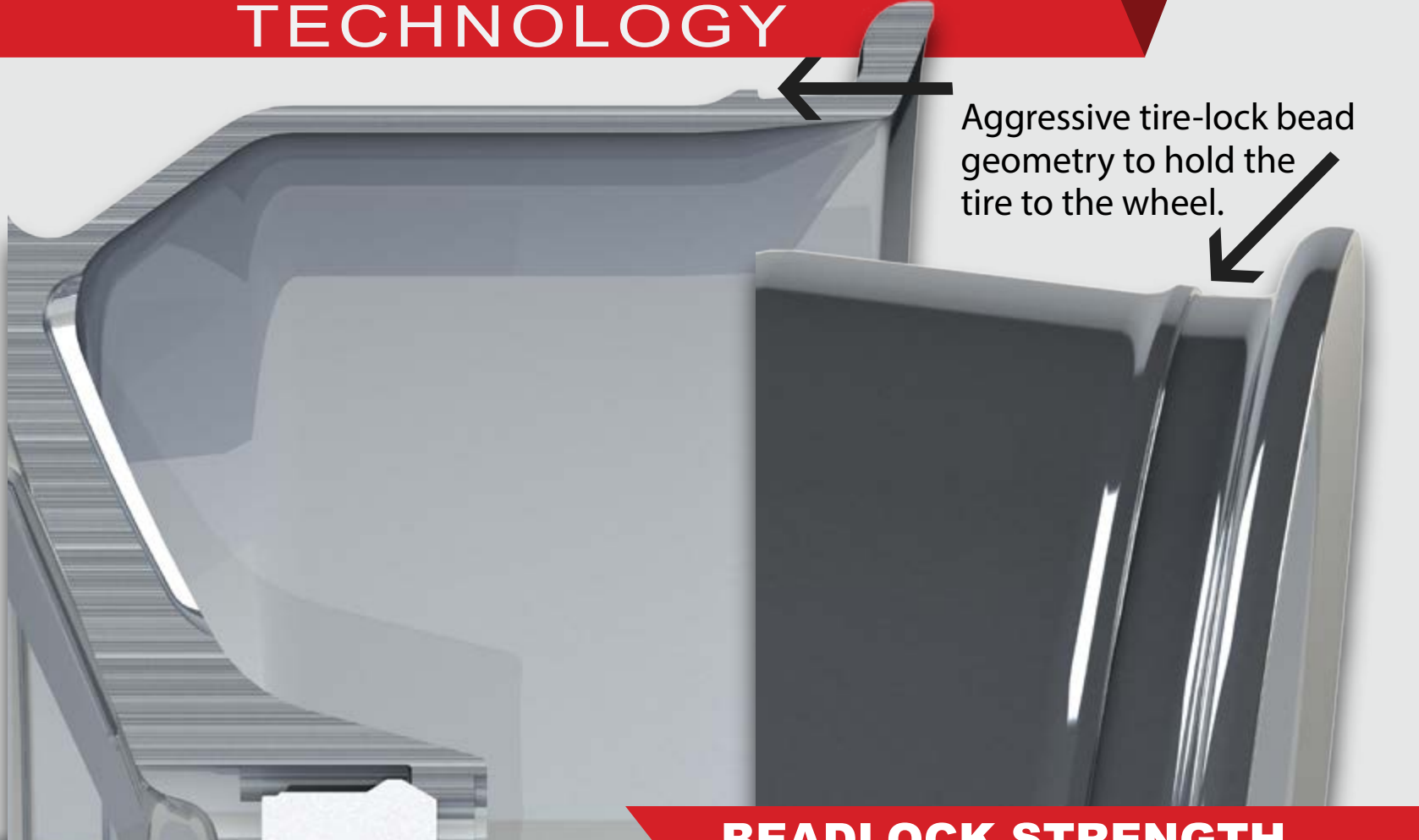
9042 | MILIANNI SULTAN

PG 88

VISION
WHEEL

TIRE-LOCK

TECHNOLOGY



Aggressive tire-lock bead geometry to hold the tire to the wheel.

**BEADLOCK STRENGTH
WITHOUT ALL THE WORK!**

Tire-Lock

BENEFITS

- Integral to the wheel
- One piece vs a bead lock ring with many bolts
- Won't loosen or lose grip over time. Beadlock requires clamp load with # of bolts on a ring. Vs tire lock is constant / same all around the tire at its contact point
- Less parts means less cost
- Tire installation and removal on standard equipment without damaging the tire
- Designed with wheel and tire engineers working side by side to guarantee the best comparable beadlock technology on the market



WHAT IS FLOW FORM?

- FLOW FORMING ENHANCES MATERIAL COMPACTNESS, ACHIEVING AN AVERAGE ELONGATION GREATER THAN 12%, WHILE ENABLING THE MATERIAL TO SUPPORT HIGHER WEIGHT AT THE SAME THICKNESS.
- RIM THICKNESS: UNDER THE SAME LOAD, THE WALL THICKNESS OF THE SPINNING WHEEL RANGES FROM 2.7 TO 3.2 MM, COMPARED TO 4 TO 5 MM FOR THE CASTING WHEEL. THIS TYPICALLY RESULTS IN A WEIGHT REDUCTION OF 5% TO 10%



TRIBLUE

Tire Pressure Monitoring System

TPMS Sensor

- Aluminum or Rubber Stem
- Single SKU
- 99% Plus Coverage
- Wireless Programming

TRIBLUE TPMS Sensors



TB001R



TB001A



TB41



- Built-in TPMS relearn procedures
- Fast free software updates
- Free tool with opening order

TB41 Programming tool

- Tire placard value adjustment
- 100% OEM RF type OEM sensor diagnostics
- Reset 90% of vehicles via OBDII
- OBDII Module built into tool
Intuitive Icon-based software flow
- Built-in TPMS relearn procedures
- Fast software updates via download
Provides TPMS sensor and service kit P/N lookup
- Clone OE sensors avoiding the relearn procedure
- Tests key FOB signal strength
- Programs multiple sensors at the same time
- Vehicle Relearn procedures built into tool

TRIBLUE TPMS sensors are revolutionizing the market with its ease of use and universal applications. We are excited to offer our products to retailers from coast to coast.

www.tri-blue.com

info@tri-blue.com

A product of **VISION WHEEL**



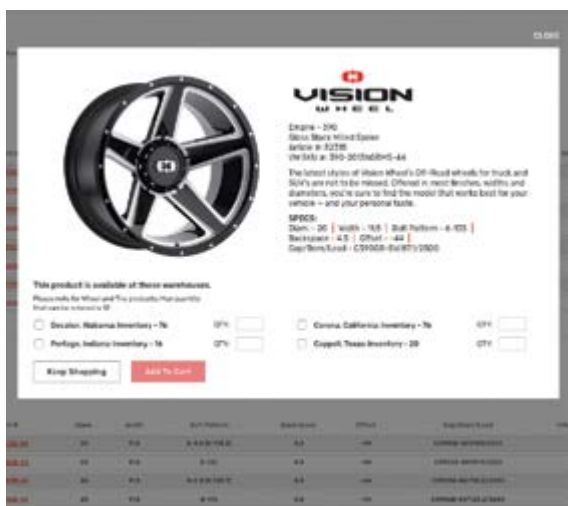
MOTOAMERICA // #54 RICHIE ESCALANTE

ONLINE ORDERING

Online ordering is available from Vision Wheel. Contact your Vision Wheel Sales Representative for more information or to answer any questions you may have.

ONLINE ORDERING ADVANTAGES

- 24 Hour Ordering Available
- Get information on the top selling styles
- 3 Easy Ways to Search
 - By Vehicle via Fitment Utility
 - By Technical Specifications
 - By Search Bar via Name
- Inventory Quantity Available to Order updated “live every 5 minutes.”
- Email & Shipment Confirmation available.





Vision It AR is the best way to visualize new wheels on your ride using your camera and augmented reality.

- Are you tired of searching all over the internet for that perfect set of wheels for your ride?
- Want to see an instant preview of hundreds of wheels right from your driveway??
- Download the all-new Vision-IT App from Vision Wheels!



A quick scan of the QR code with your phone and it pulls up the new Vision it app, our Facebook, Instagram, Twitter, Youtube, website, and online store as links.



ALABAMA

3512 6TH AVE S.E.
DECATUR, AL 35603

PHONE

800.633.3936
256.351.2459

FAX

256.353.9620

CALIFORNIA

1470 E. 6TH ST
CORONA, CA 92879

PHONE

800.927.6888
909.484.9888

FAX

951.734.8756

CHARLOTTE

11540 CORDAGE ST, SUITE K
CHARLOTTE, NC 28273

PHONE

800.499.3727
980.221.2423

FAX

980.221.2423

NEW JERSEY

115 RIVER ROAD UNIT 204
FLEMINGTON, NEW JERSEY 08822

PHONE

888.263.1092

CHICAGOLAND

6675 DANIEL BURNHAM DR, SUITE C
PORTAGE, IN 46368

PHONE

866.645.2664
219.764.7700

FAX

219.764.3257

TEXAS

313 N. GREAT SW PKWY
ARLINGTON, TX 76011

PHONE

800.633.3936
256.351.2459

FAX

256.353.9620

WASHINGTON

8920 ORION DR NE, SUITES A & B
LACEY, WA 98516

PHONE

833-872-2999
360-810-3722

ONTARIO, CANADA

1738 ORANGEBROOK CT, UNIT 13-15
PICKERING, ONTARIO L1W3G8

PHONE

800.209.3524

FAX

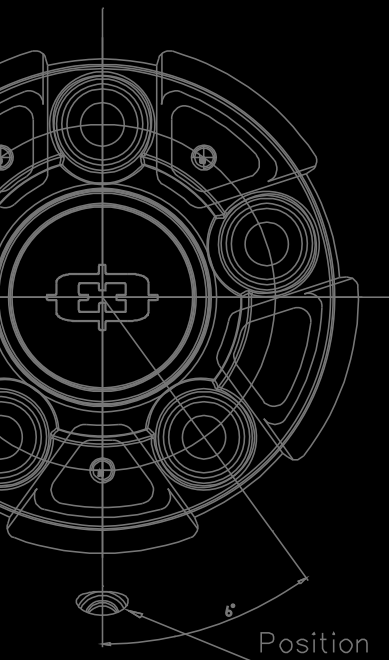
905.731.9994



VISION[®] WHEEL

www.visionwheel.com  [@visionwheel](https://www.instagram.com/visionwheel)

1-84GETVISION



Position of the valve hole

