

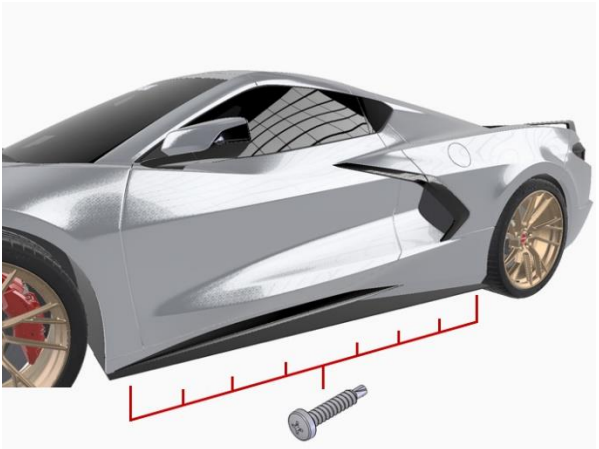
vicrez

Installation Instructions: Vicrez VZR1 Side Splitter vz101672 | Corvette C8

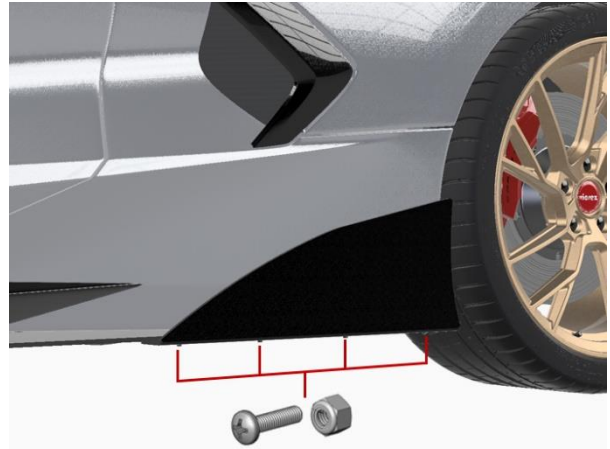
Required:

- Drill and Bits

- Brackets, Lug nuts, Screws, & Self-Tapping Screws (Included)



(1) Align splitter w/ rocker panel & proceed to install side splitter using self-drilling screws or hardware of your preference



(2) After installing side splitter, proceed to drill holes on side splitter in order to install the winglets using the provided hardware



(3) Final result – how the side splitter should look

vicrez

Installation Instructions: Vicrez VZR1 Front Bumper Lip Splitter vz101671 | Corvette C8

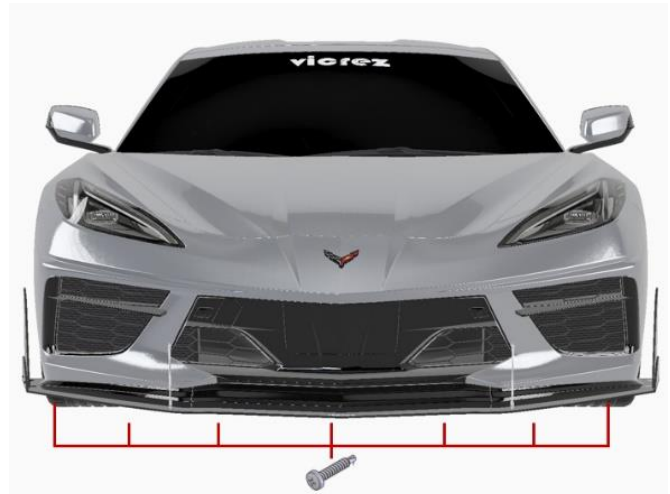
Required:

- Drill and Bits 3/16

- Brackets, Lug nuts, Screws, & Self-Tapping Screws (Included)



(1) Install the winglets with the hardware provide (screws, nuts, & brackets)



(2) Align the splitter w/ bumper & proceed to install front splitter using drilling screws or existing OEM hardware



(3) Support rods can be installed in any placement of the bumper. However, it is not required for installation



(4) Final result – how the front splitter should look