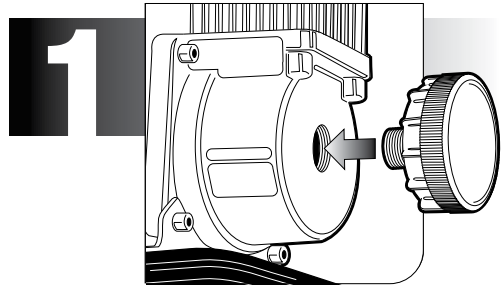
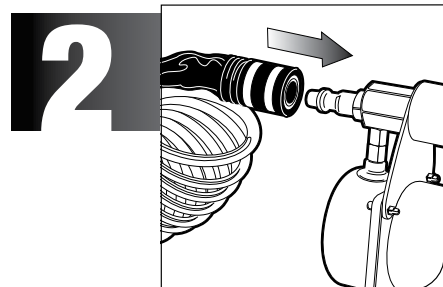


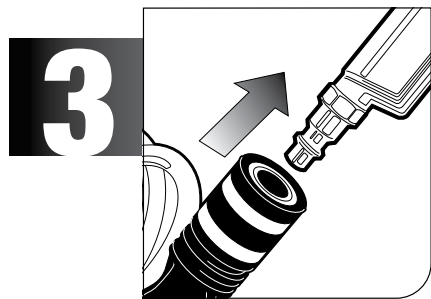
QUICK START GUIDE



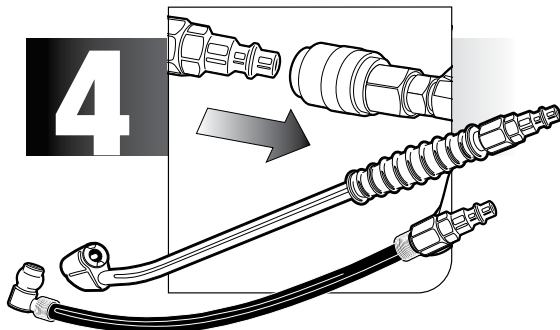
1 Make sure the intake air filter is installed where the red plug was removed from the intake on the compressor.



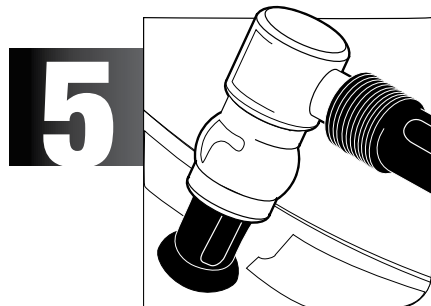
2 Attach the primary coil hose to the quick connect coupler on the compressor. If needed, attach the extension coil hose to the primary hose.



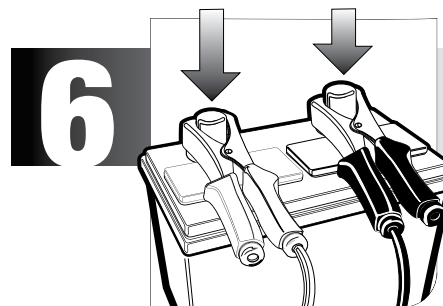
3 Attach Tire Inflation Gun to the coil hose from the compressor



4 Attach either the 90 degree twist on chuck, or the 45 degree chuck to the quick connect coupler on the end of the Tire Inflation Gun.



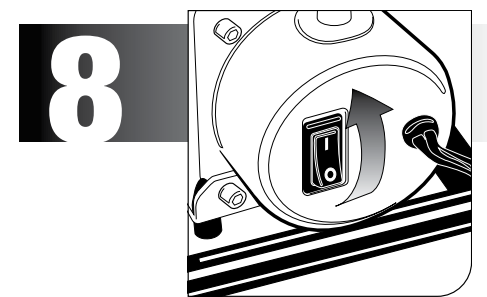
5 Attach the other end of the 45 degree chuck or the 90 degree chuck to the valve stem on your tire.



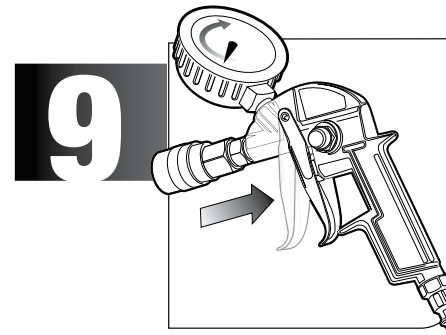
6 Attach the alligator clamps to the battery. Remember: Red to Positive and Black to Negative. Make sure the compressor is in the off(O) position prior to attaching the battery clamps.



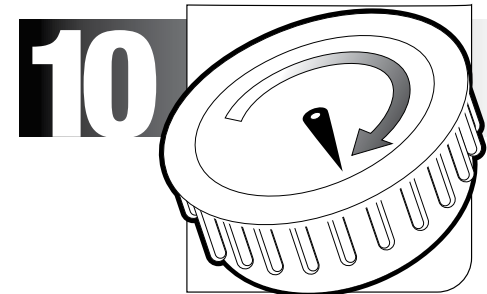
7 Start your engine or ensure that the battery you are connecting the compressor to is being charged by shore power.



8 Turn the compressor on (I for On, 0 for Off). The compressor will fill up the coil hose(s) with air pressure and then shut itself off, this is normal.



9 Pull the trigger on the inflation gun to allow air to flow into the tire, at this time the compressor will turn itself back on and begin filling the tire.



10 To check tire pressure, release the trigger on the Tire Inflation Gun. Once the gauge settles, that will be the accurate pressure in the tire.