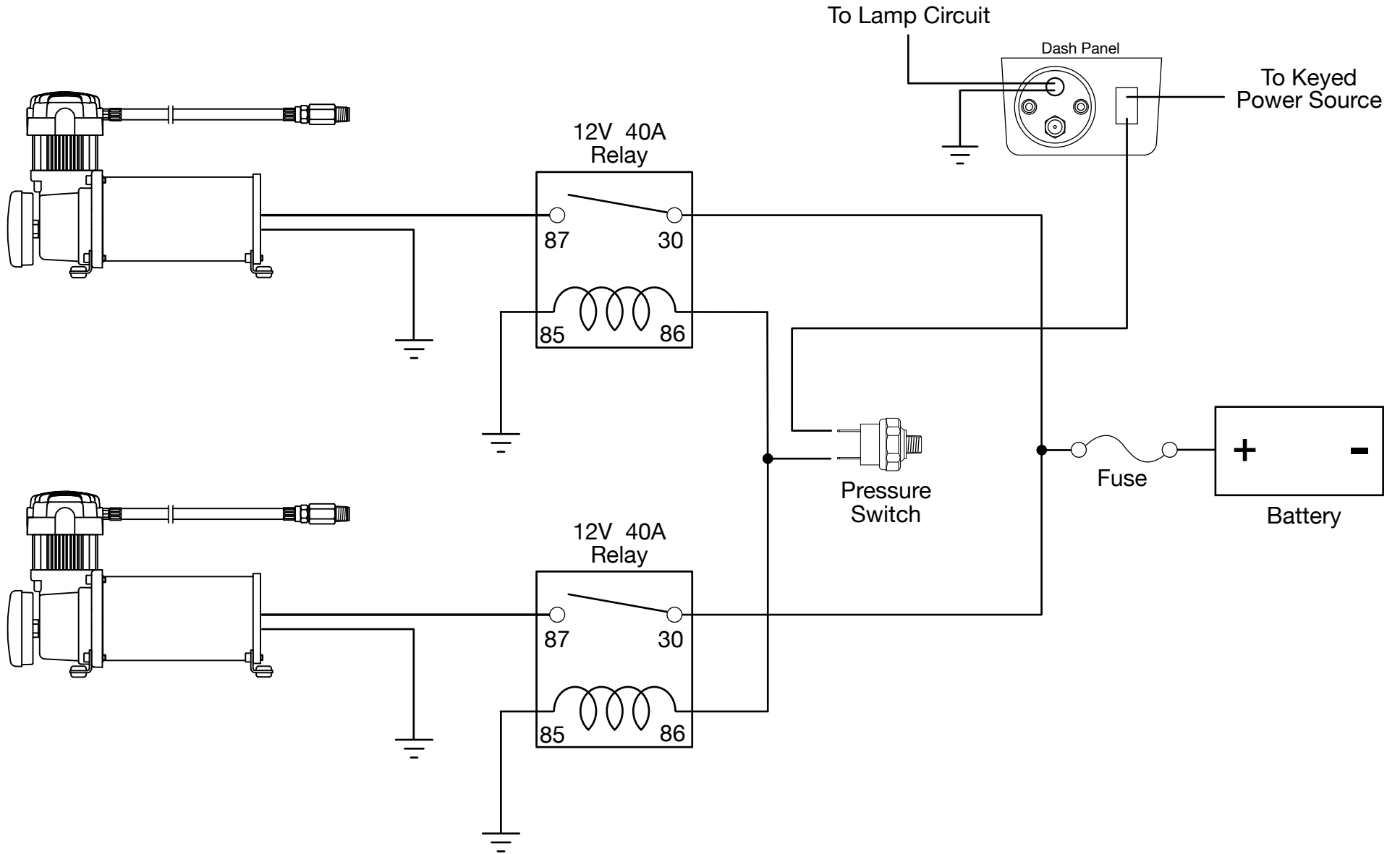




Your Vital Air Source

P/N 10008, 10009 COMPRESSOR WIRING DIAGRAM



P/N 10008, 10009 OBA PLUMBING DIAGRAM

Typical System Configuration, May Vary Depending on Installation

