

**DIMENSIONS - MM**

Part Number	A	B	C	D	E	F	G	H	I	J
27520	170.5	83.2	129.0	153.3	69.0	520.0	1/4" (M)	610.0	7.0	8.40

\* All measurements in millimeters, unless otherwise noted.

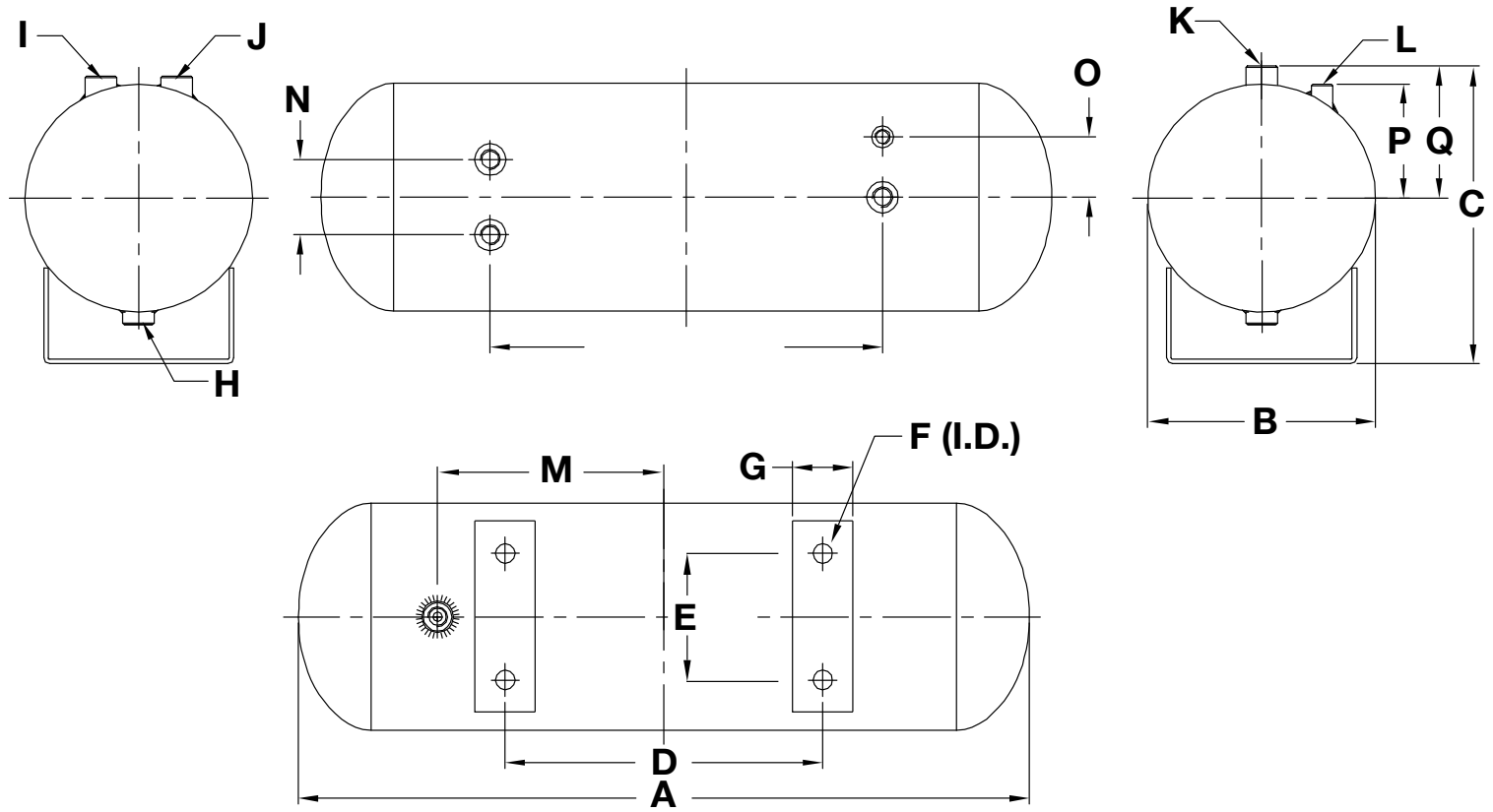
\*\* All fittings are NPT, unless otherwise noted.

**DIMENSIONS - IN**

Part Number	A	B	C	D	E	F	G	H	I	J
27520	6.71	3.28	5.08	6.04	2.72	20.47	1/4" (M)	24.02	0.28	0.33

\* All measurements in inches, unless otherwise noted.

\*\* All fittings are NPT, unless otherwise noted.



### DIMENSIONS - MM

Part Number	A	B	C	D	E	F	G	H	
91020	484.3	151.0	197.5	210.5	84.0	5.1	40.0	1/4" (F)	
	I	J	K	L	M	N	O	P	Q
	1/4" (F)	1/4" (F)	1/4" (F)	1/8" (F)	150.0	50.0	40.0	75.6	87.5

\* All measurements in millimeters, unless otherwise noted.

\*\* All fittings are NPT, unless otherwise noted.

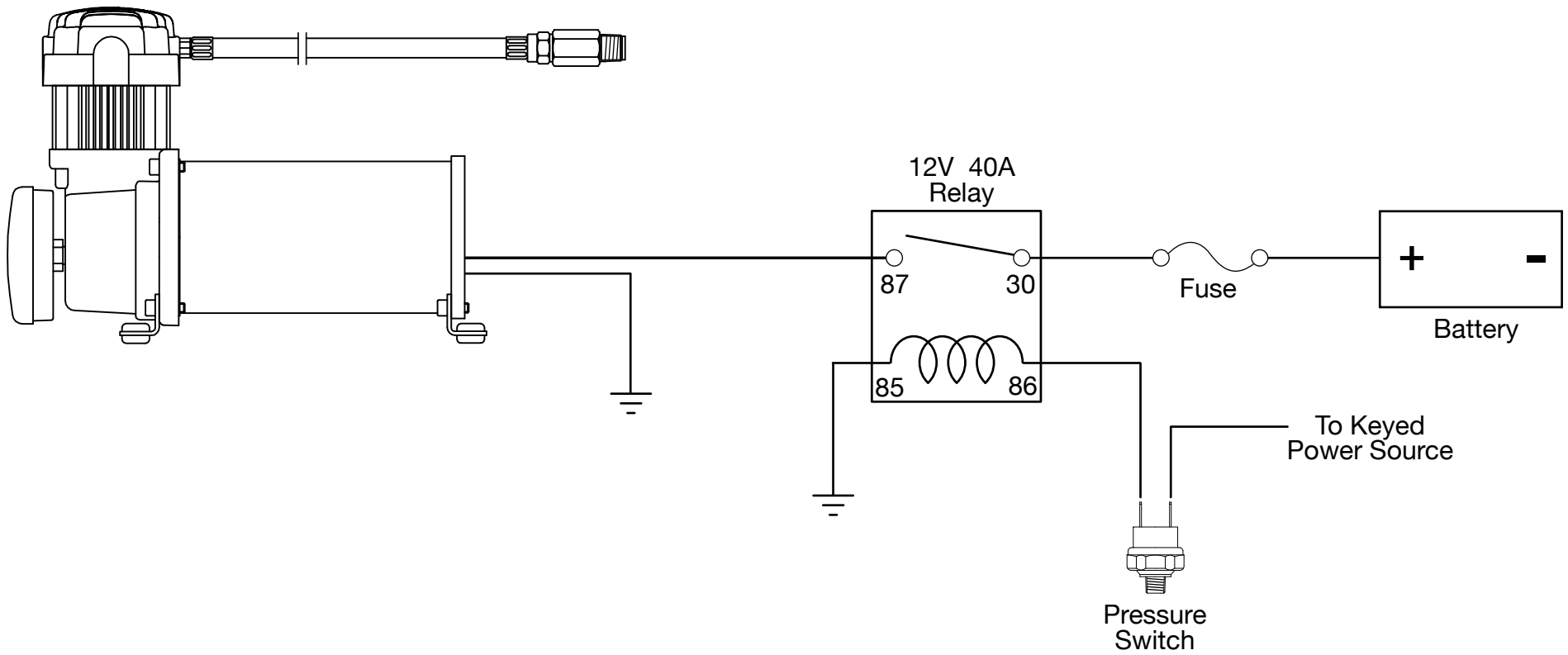
### DIMENSIONS - IN

Part Number	A	B	C	D	E	F	G	H	
91020	19.07	5.94	7.78	8.29	3.31	0.20	1.57	1/4" (F)	
	I	J	K	L	M	N	O	P	Q
	1/4" (F)	1/4" (F)	1/4" (F)	1/8" (F)	5.91	1.97	1.57	2.98	3.44

\* All measurements in inches, unless otherwise noted.

\*\* All fittings are NPT, unless otherwise noted.

# P/N 10002 COMPRESSOR WIRING DIAGRAM



# P/N 10002 OBA PLUMBING DIAGRAM

