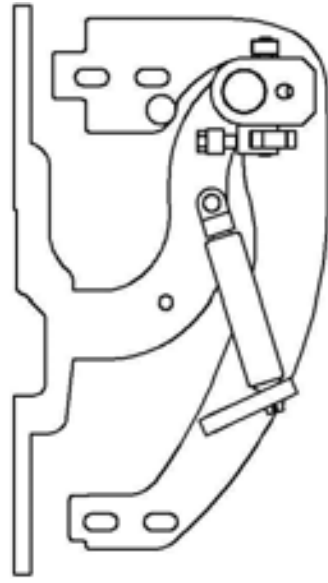
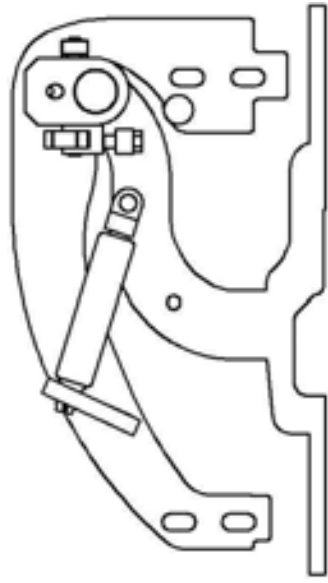




# **SATURN SKY 2006 AND UP**

US PATENT #6,808,223 & #6,845,547



**THIS KIT INCLUDES:**

- 16 M8-1.25X30MM BOLTS WITH WASHERS
- 2 SHOULDER BOLTS WITH WASHERS
- 2 PINS
- RIGHT AND LEFT HINGE ASSEMBLY
- 2 SHOCKS 550 PSI

**TOOLS REQUIRED FOR INSTALLATION:**

	<ul style="list-style-type: none"> <li>➤ AIR RACHET, GRINDER AND CUTTER.</li> </ul>
	<ul style="list-style-type: none"> <li>➤ 7MM, 8MM, 10MM, 11MM, 13MM, SOCKETS AND EXTENSION.</li> </ul>
	<ul style="list-style-type: none"> <li>➤ FORK AND PHILLIP'S SCREW DRIVERS</li> </ul>
	<ul style="list-style-type: none"> <li>➤ SPACERS FOR THE DOOR GAP.</li> </ul>
	<ul style="list-style-type: none"> <li>➤ 3/16 ALLEN WRENCH</li> </ul>
	<ul style="list-style-type: none"> <li>➤ 1/4 TORX BIT</li> </ul>
	<ul style="list-style-type: none"> <li>➤ 9/16 WRENCH</li> </ul>
	<ul style="list-style-type: none"> <li>➤ LOCKTITE RED</li> </ul>

**OTHER TOOLS MAY BE NEEDED DEPENDING ON YOUR VEHICLE.**

**(Note: The pictures on the manual are for reference only they may not match your vehicle.)**

1) Open the hood and disconnect the battery.

2) Remove fender:

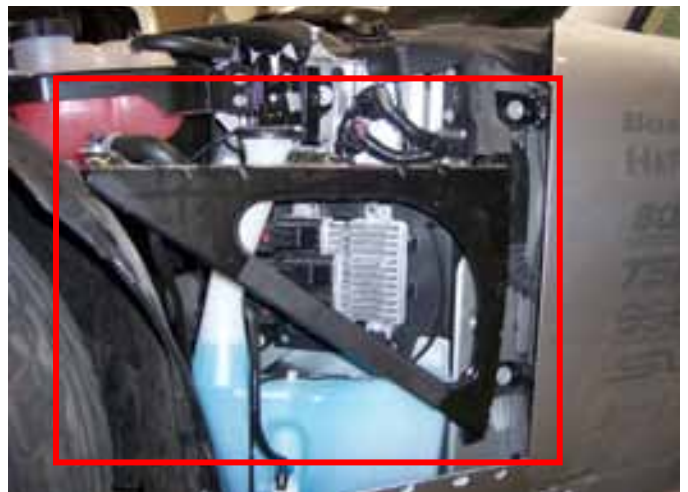
Remove all the bolts on the top of the fender, the wheel well and the bolts by the door.



3) Modifications to area under the hood:

### Driver's Side

Remove the bracket located under the fender.

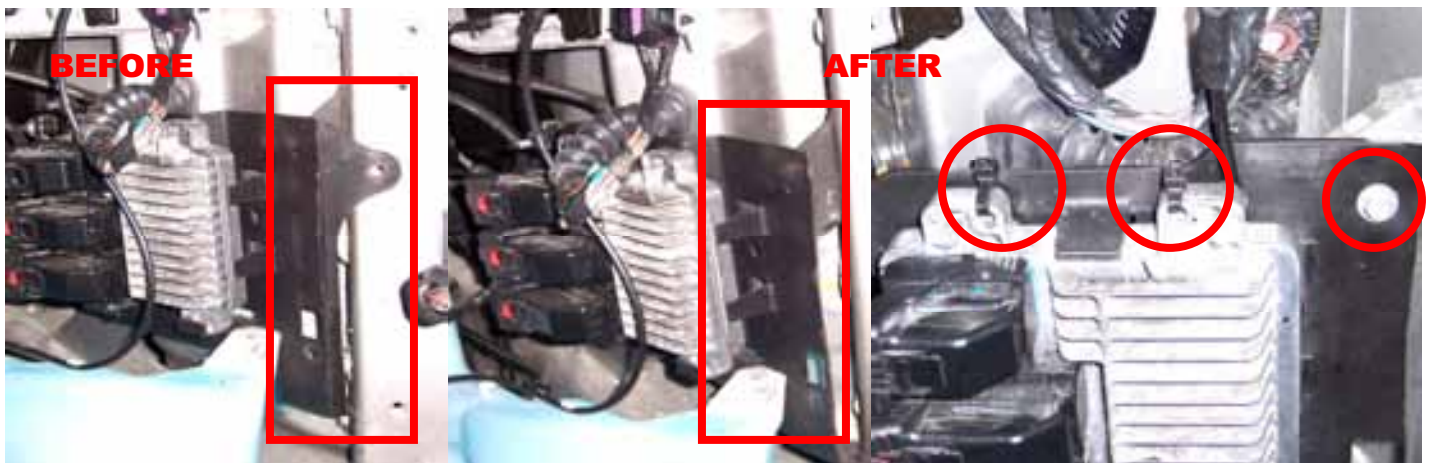




After removing the bracket you will need to cut a portion of it as shown.



Remove the bolts holding the windshield fluid reservoir and the PCM assembly. Cut the bracket as shown. Drill and tap new hole to secure the assembly and use zip ties to secure the PCM



Use the bracket provided to move and secure the windshield fluid reservoir back as shown. This will allow you to install the new Vertical Doors, Inc. system.



## Passenger's Side

When replacing the battery you may have to shift it a little towards the back to clear the new Vertical Doors, inc. system.



**4)** Remove the door catch:  
Open the door and remove bolts from the body and from the door. Push the door catch inside the door.



**5)** You will need to modify the wire layout:  
Remove the factory wire case and use wire loom to protect the exposed wires. As shown



**6)** Close door and use painter's tape to secure the door in preparation for factory hinge removal.

You will need a 13mm socket to remove the factory hinges.

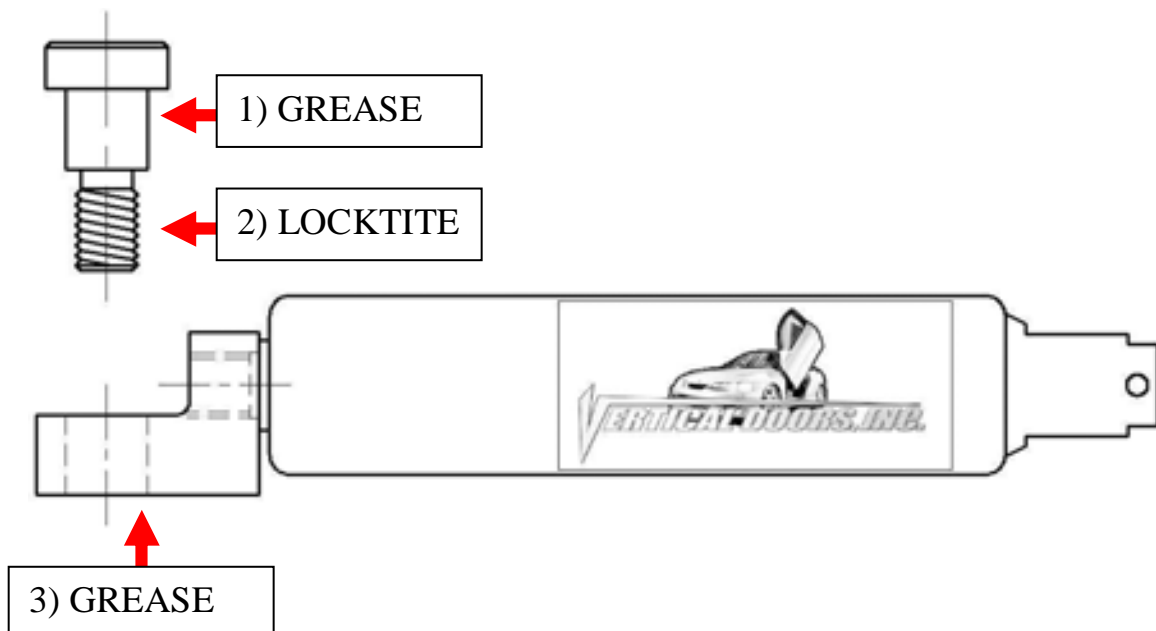
*Hint\* (You can make your spacer out of paint sticks and about 8-10 turns of blue painters tape)*



7) Install new Vertical Doors, Inc. system:

Install the new Vertical Doors, Inc. system as shown.

*Hint\* Tighten the bolts on the door first and then install the bolts on the body.*



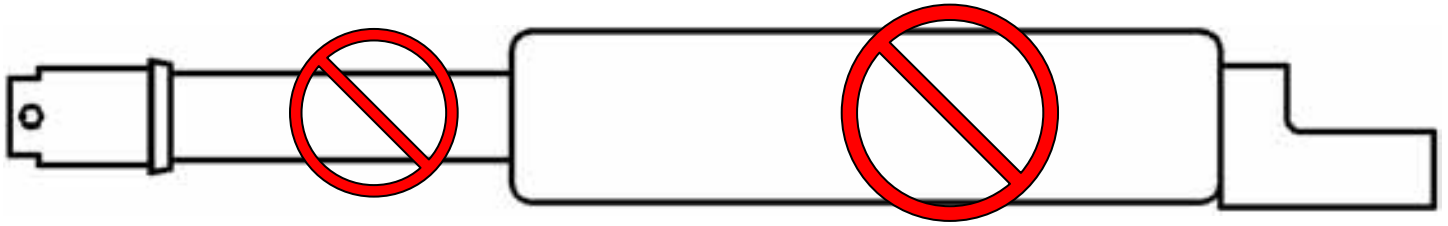
**\*IMPORTANT STEP: DO NOT SKIP THIS STEP. THIS STEP IS CRUCIAL IN YOUR INSTALLATION PROCESS, IF THIS STEP IS NOT COMPLETED WHEN INSTALLING THE VERTICAL DOOR KIT; ALL WARRANTIES ARE VOIDED, AND MAY CAUSE FUTURE PROBLEMS WITH YOUR VERTICAL DOOR SYSTEM.**

1<sup>ST</sup>, make sure you put grease on the body of shoulder bolt where the arrow is pointing.

2<sup>ND</sup>, make sure you put red Loctite, where the arrow is pointing, on thread of shoulder bolt.

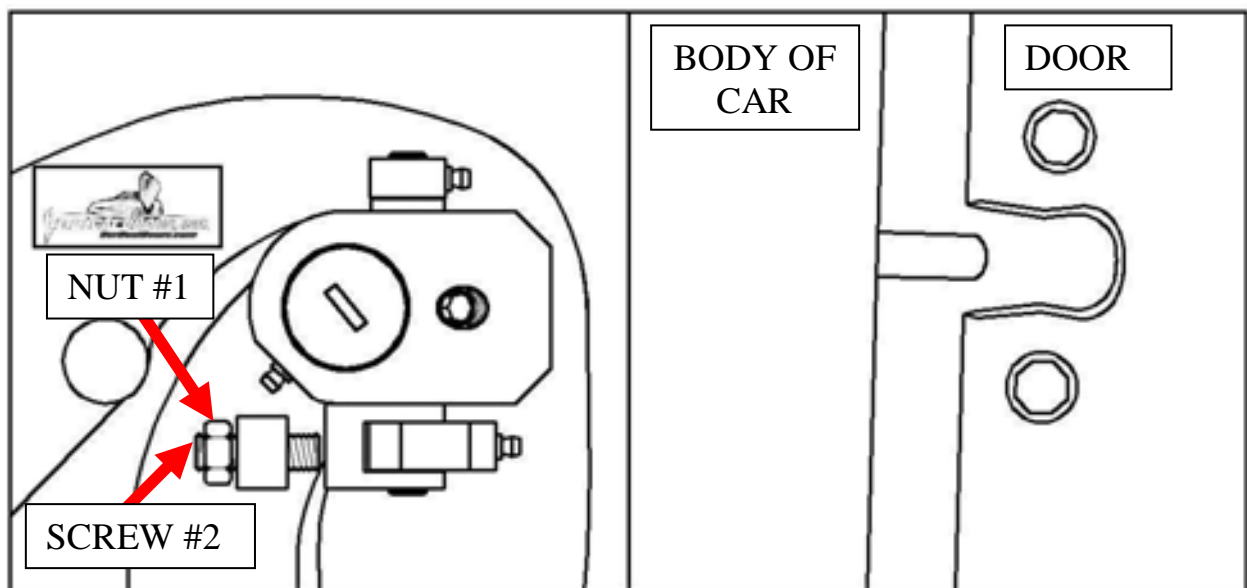
3<sup>RD</sup>, make sure you put grease on the bottom side of the shock end.





**WARNING! THE USE OF ANY TYPE PLYERS, PAINT OR FOREIGN MATERIALS ON THE SHOCK'S BODY OR SHAFT WILL VOID THE WARRANTY.**

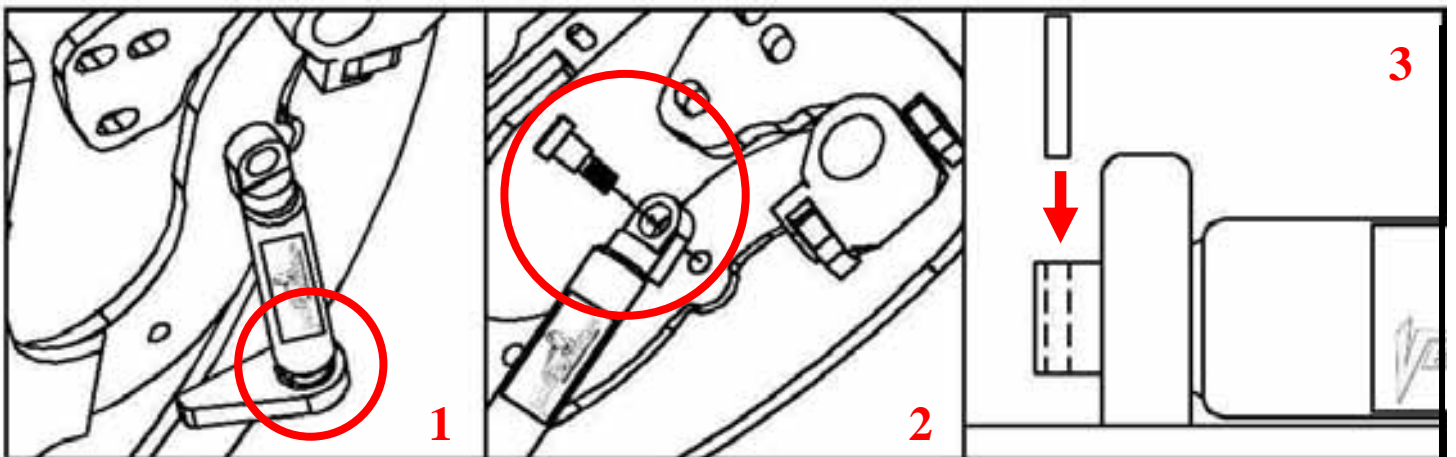
**8)** Once hinge is locked in place, break nut #1 then turn Allen set screw #2 on fig until it hits the block then open the door and continue to adjust until the door matches with the striker, open and



close door making sure it closes like factory.

*Hint\*(leave #1 nut loose until shock is installed Allen set screw will have to be re-adjusted after shock is installed.*

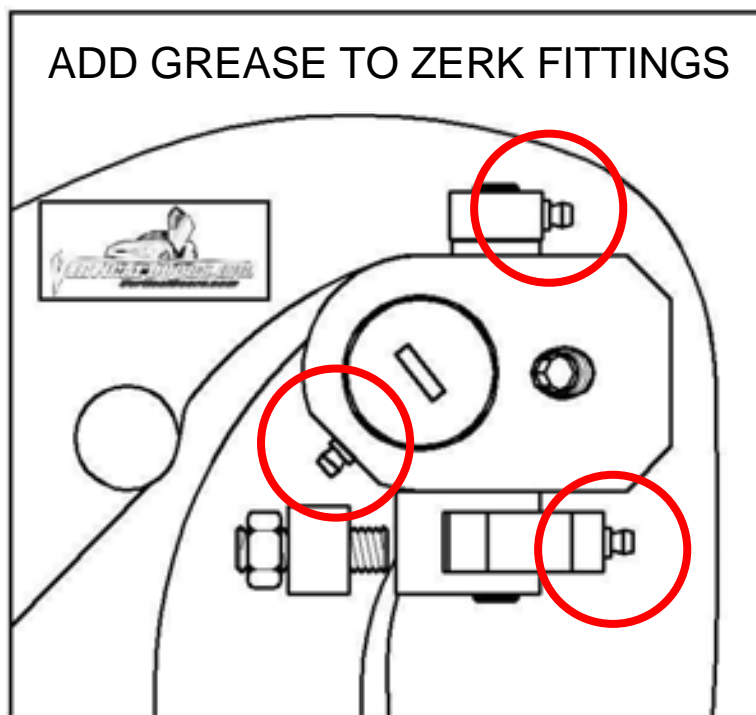
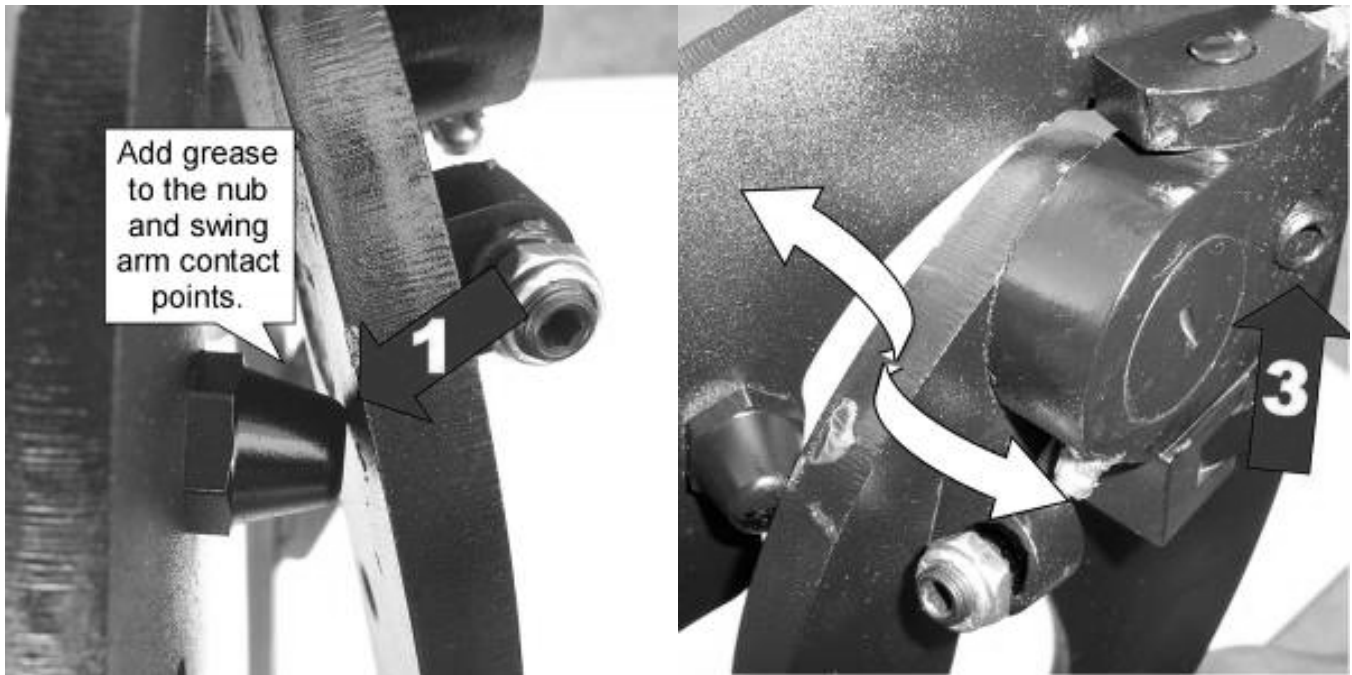
**9)** Install the shock.



*Hint\* (You will need a helper to raise the door). (Slip the spherical rod mount into the spherical ball bearing (1). Using a 1/4 Allen wrench, tighten the screw into the swing arm (2). After the shock is installed secure it by installing the pin in the bottom shock end (3).*

**10)** After shock is installed re-install door panel and lift the door. Adjust door opening screw #3 clockwise until distance between nub and swing arm is enough so that the swing arm moves up and down freely.

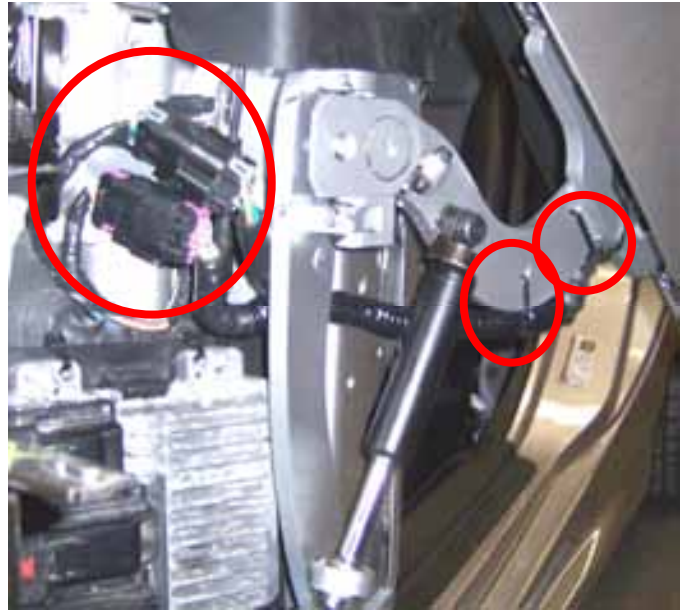
*Hint\* (Fine tune the Allen Adjustment screw (#2) to realigned striker with door. After the door is align test door by opening and closing, lifting and lowering door several times.*



**Note:** Do not install fender until the adjustment of the door is accurate, and the set screw is tightly secure. Also make sure everything is tight, adjustment is set and everything is Locktite.



**11)** Modify factory wire loom:  
Secure the wire loom to the new  
VDI system with zip ties as shown.



**12)** Cut the inner lip of your  
fender to make room for the  
new Vertical Doors hinge.



You will also need to cut the  
top of the fender as shown.

Note: After you have cut the  
fender use a sander or grinder  
to remove any sharp edges.



**13)** Close the door and replace the fender by reversing step 2.

*Hint\*(Make sure the electrical wires don't get pinched enough to  
damage wires)*

**14)** Follow the same steps to complete the other side.