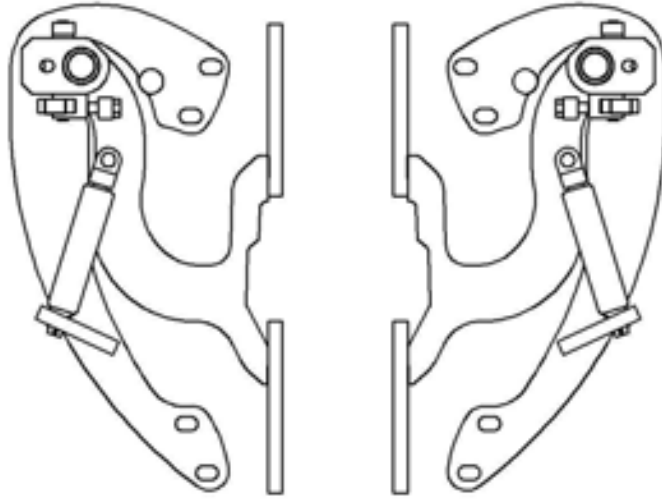




1990-1996

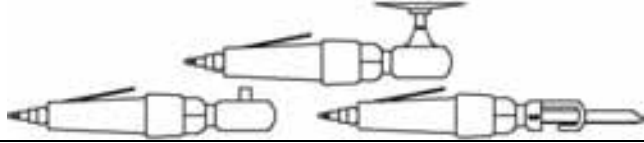

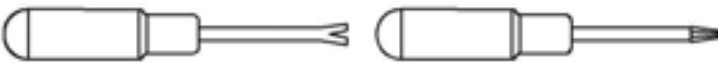





US PATENT #6,808,223 & #6,845,547



THIS KIT INCLUDES:

➤ 16 M8-1.25X30MM BOLTS WITH WASHERS	➤ RIGHT AND LEFT HINGE ASSEMBLY
➤ 2 SHOCKS 720 PSI	➤ 2 SHOULDER BOLTS
➤ 2 PINS	

TOOLS REQUIRED FOR INSTALLATION:

	➤ AIR RACHET, GRINDER AND CUTTER.
	➤ 10MM, 11MM, 13MM, 14MM, 15MM, SOCKETS AND EXTENSION.
	➤ FORK AND PHILLIP'S SCREW DRIVERS
	➤ SPACERS FOR THE DOOR GAP.
	➤ 3/16 ALLEN WRENCH
	➤ 1/4 TORX BIT
	➤ 9/16 WRENCH
	➤ LOCKTITE RED

OTHER TOOLS MAY BE NEEDED DEPENDING ON YOUR VEHICLE.

(Note: The pictures on the manual are for reference only they may not match your vehicle.)

1) Disconnect the battery.

2) Loosen door catch.

Remove the pin securing the door catch to the fender and push it to the close position.



3) Remove the turn signal:

Remove (2) Phillip's screws and disconnect the wire harnesses.



4) Remove fender:

Remove all the bolts securing the fender to the body and to the bumper.



Remove all the fasteners around the wheel well.



After removing all the fasteners around the wheel well; remove (1) 10mm bolt securing the fender to the bumper



Now pull on the bumper and remove the remaining bolts securing the fender to the bumper and to the body.



Remove the (3) 10mm bolts at the bottom of the door securing the fender to the chassis.



Remove one 10mm bolt located at the bottom of the windshield pillar.



Remove all the bolts located at the top of the fender.
Now you will be able to carefully remove the bumper.



5) Close door and use painter's tape to secure the door in preparation for factory hinge removal:

Remove the bolts and the clamp securing the plastic water condenser.

Note after removing the water condenser make sure that you replace the (2) bolts on the wire harness.

After removing the water condenser you will have to make sure the new VDI has a flat surface to rest on.
Start by cutting and grinding the lip of the hole (square).
Then using a mallet hit the extruding piece metal extruding from the apron (circle).



Use a 13mm socket to remove the factory hinges.

Hint (You can make your spacer out of paint sticks and about 8-10 turns of blue painters tape)*

Install the spacers after the factory hinges have been removed.

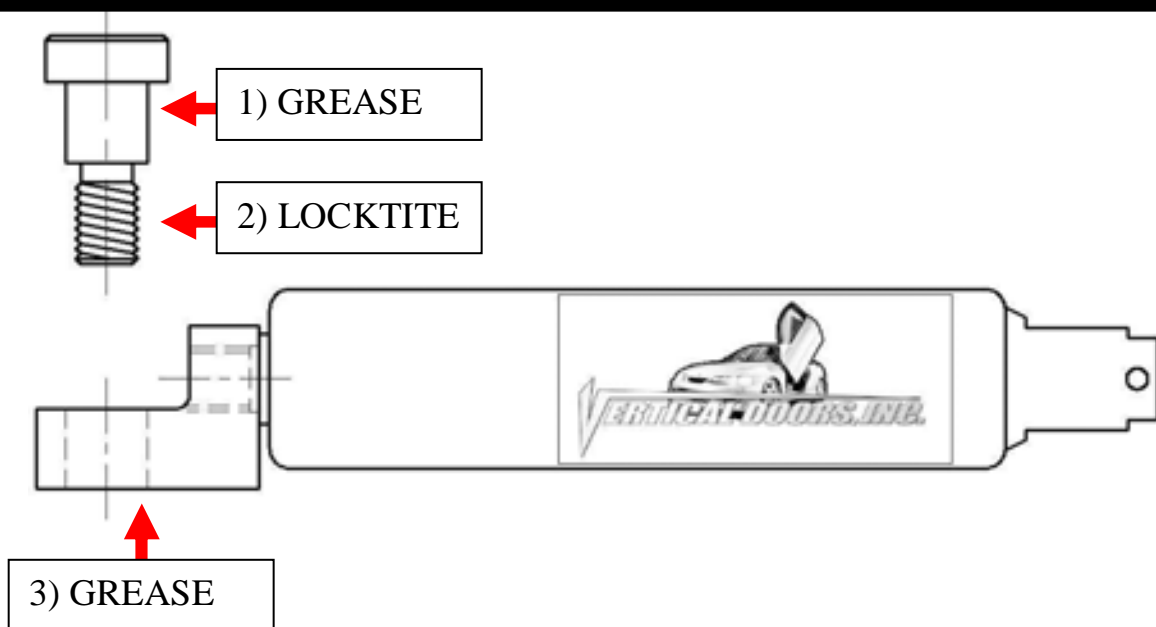


6) Install new Vertical Doors Inc. system:

Make sure the surface is completely flat.

Hint Tighten the bolts on the door first then the bolts on the body.*





***IMPORTANT STEP: DO NOT SKIP THIS STEP. THIS STEP IS CRUCIAL IN YOUR INSTALLATION PROCESS, IF THIS STEP IS NOT COMPLETED WHEN INSTALLING THE VERTICAL DOOR KIT; ALL WARRANTIES ARE VOIDED, AND MAY CAUSE FUTURE PROBLEMS WITH YOUR VERTICAL DOOR SYSTEM.**

1ST, make sure you put grease on the body of shoulder bolt where the arrow is pointing.

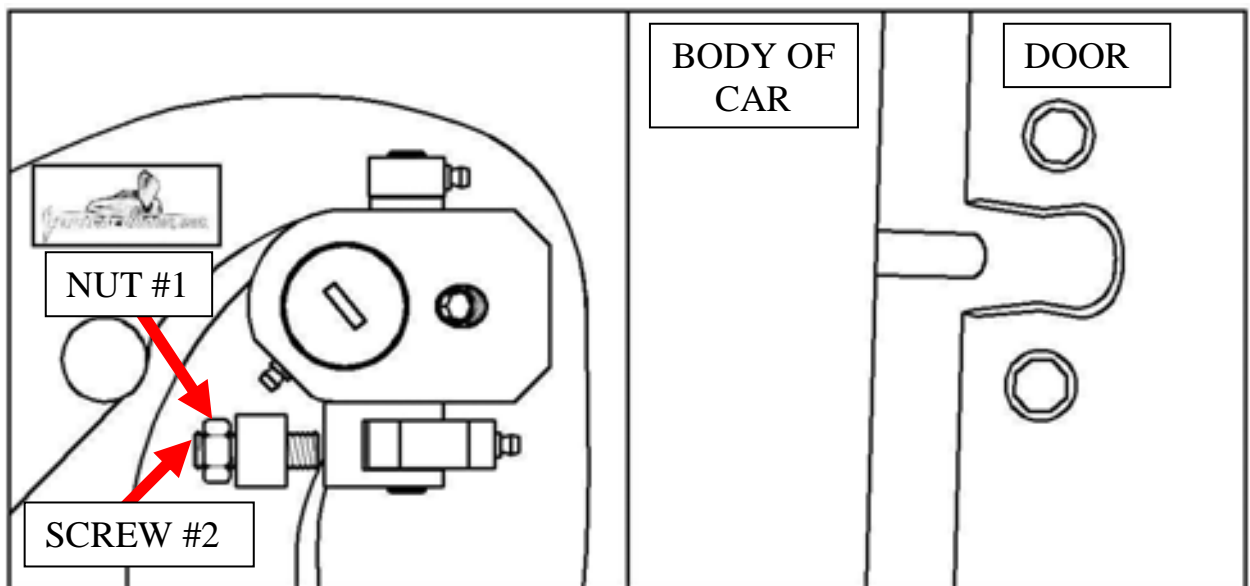
2ND, make sure you put red Loctite, where the arrow is pointing, on thread of shoulder bolt.

3RD, make sure you put grease on the bottom side of the shock end.



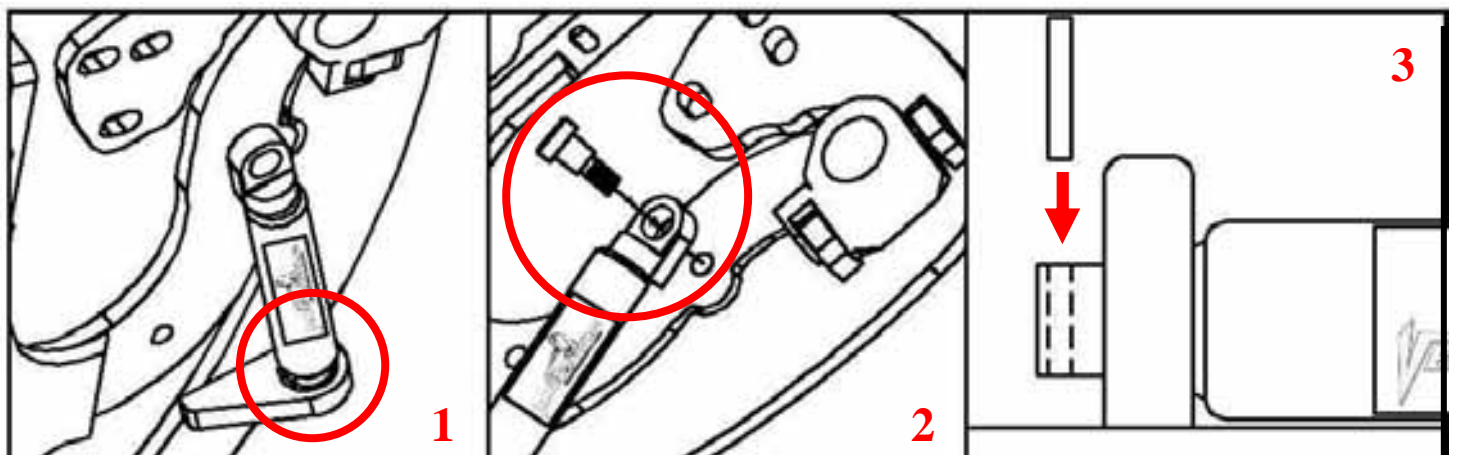
WARNING! THE USE OF ANY TYPE PLYERS, PAINT OR FOREIGN MATERIALS ON THE SHOCK'S BODY OR SHAFT WILL VOID THE WARRANTY.

7) Once hinge is locked in place, break nut #1 then turn Allen set screw #2 on fig until it hits the block then open the door and continue to adjust until the door matches with the striker, open and close door making sure it closes like factory.



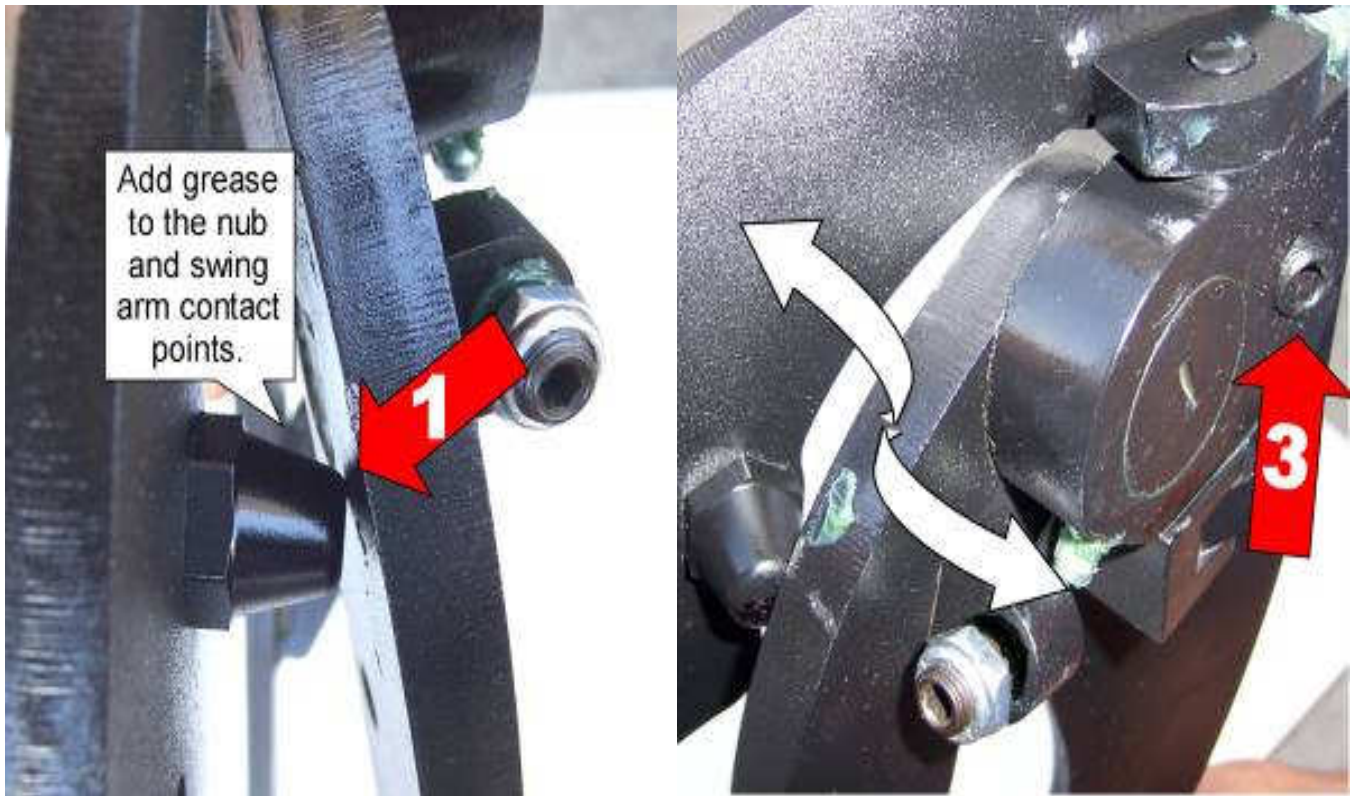
Hint(leave #1 nut loose until shock is installed Allen set screw will have to be re-adjusted after shock is installed.*

8) Install the shock.

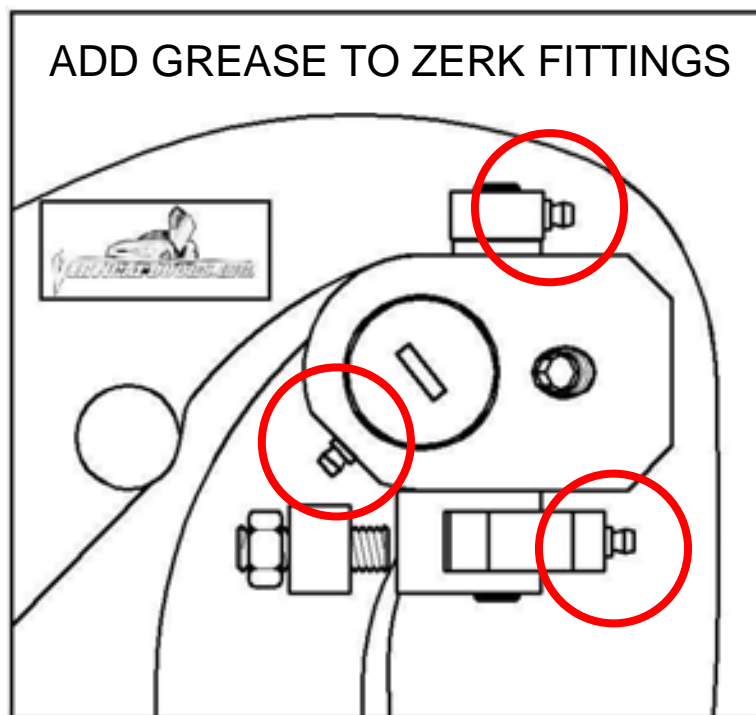


Hint (You will need a helper to raise the door). (Slip the spherical rod mount into the spherical ball bearing (1). Using a 1/4 Allen wrench, tighten the screw into the swing arm (2). After the shock is installed secure it by installing the pin in the bottom shock end (3).*

9) After shock is installed re-install door panel and lift the door. Adjust door opening screw #3 clockwise until distance between nub and swing arm is enough so that the swing arm moves up and down freely.



Hint (Fine tune the Allen set screw (#2) to realigned sticker with door. After the door is aligned, test door by opening and closing, lifting and lowering door several times.*



Note: Do not install fender until the adjustment of the door is accurate, and the set screw is tightly secure. Also make sure everything is tight, adjustment is set and everything is Locktite.

10) Modify factory wire loom.

You will have to open and raise the door, cut the factory wire loom and add included wire loom to protect exposed wires.

Your wires should look like the picture on the right.



11) Cut the inner lip of your fender to make room for the new Vertical Doors hinge. Note: After you have cut the fender use a sander or grinder and take out any sharp edges, use black door trim to give it a finish look.



12) Close the door and Replace the fender by reversing step 3 and 4.

Hint(Make sure the electrical wires don't get pinched enough to damage wires)*

13) For the other side just follow steps 2-12.