

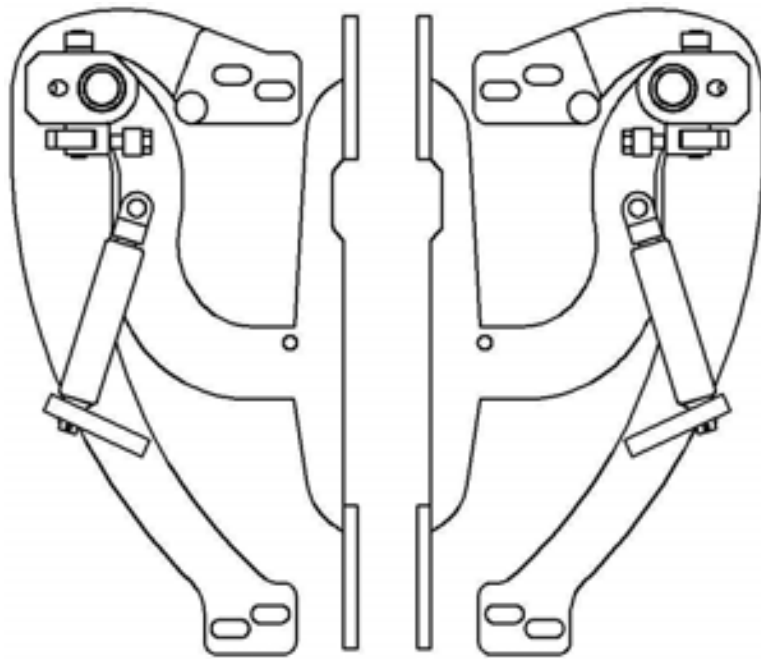


**SIMPLY UPLIFTING™**



**CHEV. TRUCK 88-98/  
GMC TRUCK 88-98/ ESCALADE 99-01/  
SUBURBAN 91-00/ TAHOE 91-00  
INSTRUCTIONS**

**US PATENT #6,808,223 & #6,845,547  
AND OTHER PATENTS PENDING**



**THIS KIT INCLUDES:**

- 16 M8-1.25X30MM BOLTS WITH WASHERS
- 2 SHOULDER BOLTS WITH WASHERS
- 2 PINS
- RIGHT AND LEFT HINGE ASSEMBLY
- 2 SHOCKS 720 PSI

**TOOLS REQUIRED FOR INSTALLATION:**

	<ul style="list-style-type: none"> <li>➤ AIR RACHET, GRINDER AND CUTTER. CLAMP</li> </ul>
	<ul style="list-style-type: none"> <li>➤ 7MM, 8MM, 10MM, 11MM, 13MM, SOCKETS AND EXTENSION.</li> </ul>
	<ul style="list-style-type: none"> <li>➤ FORK AND PHILLIP'S SCREW DRIVERS</li> </ul>
	<ul style="list-style-type: none"> <li>➤ SPACERS FOR THE DOOR GAP.</li> </ul>
	<ul style="list-style-type: none"> <li>➤ 3/16 ALLEN WRENCH</li> </ul>
	<ul style="list-style-type: none"> <li>➤ 1/4 TORX BIT, US DRILL 17/64 OR METRIC 6.70MM</li> </ul>
	<ul style="list-style-type: none"> <li>➤ 9/16 WRENCH</li> </ul>
	<ul style="list-style-type: none"> <li>➤ LOCKTITE RED</li> </ul>

***OTHER TOOLS MAY BE NEEDED DEPENDING ON YOUR VEHICLE.***

**(Note: The pictures on the manual are for reference only they may not match your vehicle.)**

1) Disconnect and remove the battery and battery tray. To remove battery remove (1) 13mm bolt. To remove battery tray remove (5) 10mm bolts. ((3) On the right side and (2) on the back.

2) Open door completely and remove the door catch that is attached to the inner frame and the door.



3) Remove the hood, by removing (3); 13mm bolts on each side.

4) Remove (2) “L” shaped clamps from each head light. One of the clamps is in the Horizontal position and the other one is in Vertical position; this will release the head lights. **Note: do not disconnect the head lights.** Let the head lights fall forward and use Blue Painter’s tape to protect the bumper and to take pressure from head light’s electrical harness.

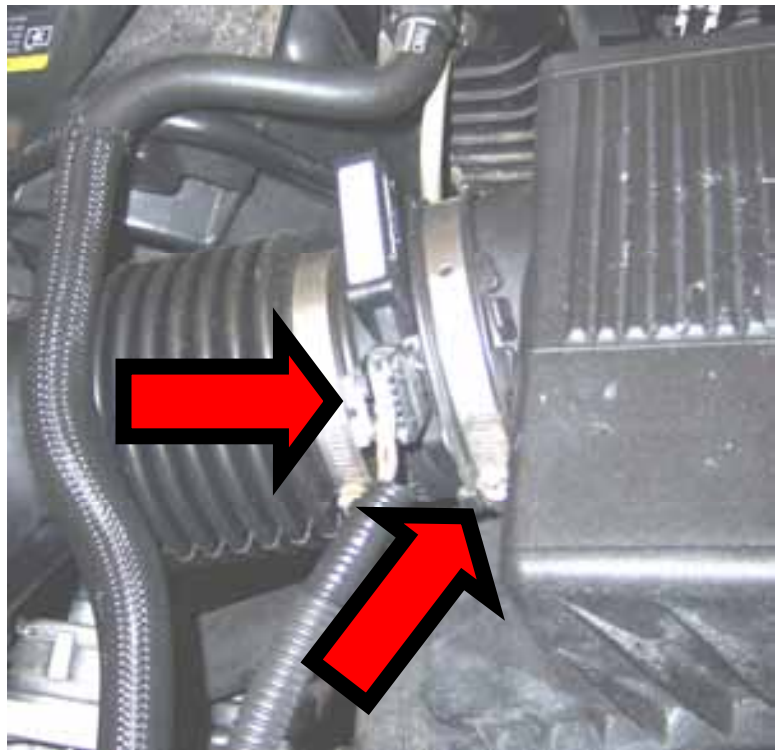




5) Disconnect the Fuse box. There are (4), 10mm bolts securing the fuse box to the fender. (2) of them are Horizontal and (2) of them are Vertical.



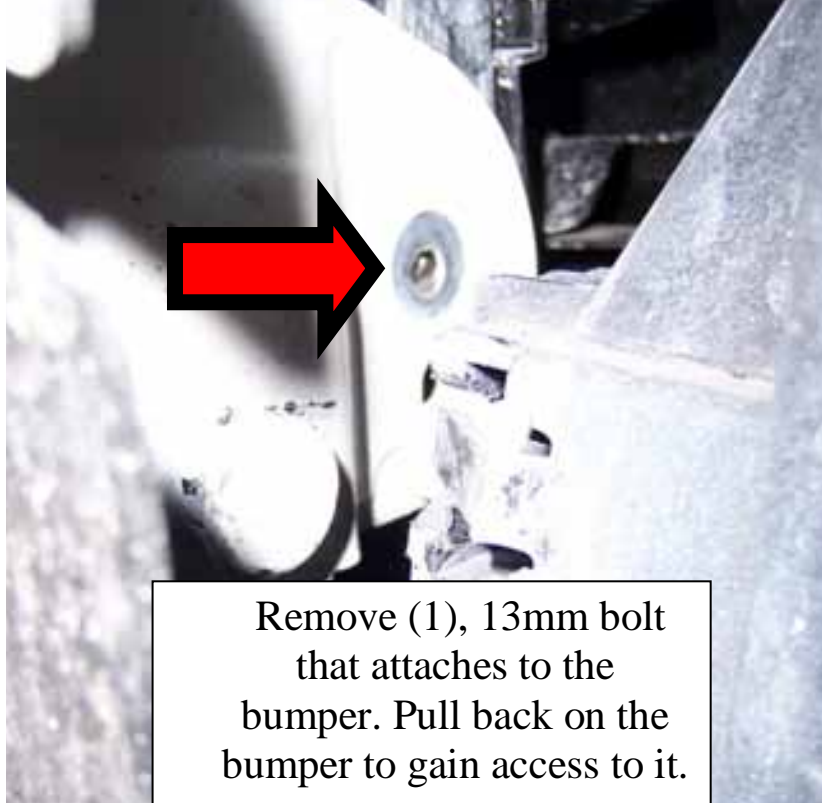
6) Disconnect and remove the air intake filter housing. Unplug the wire harness and the strap closest to the air intake housing.



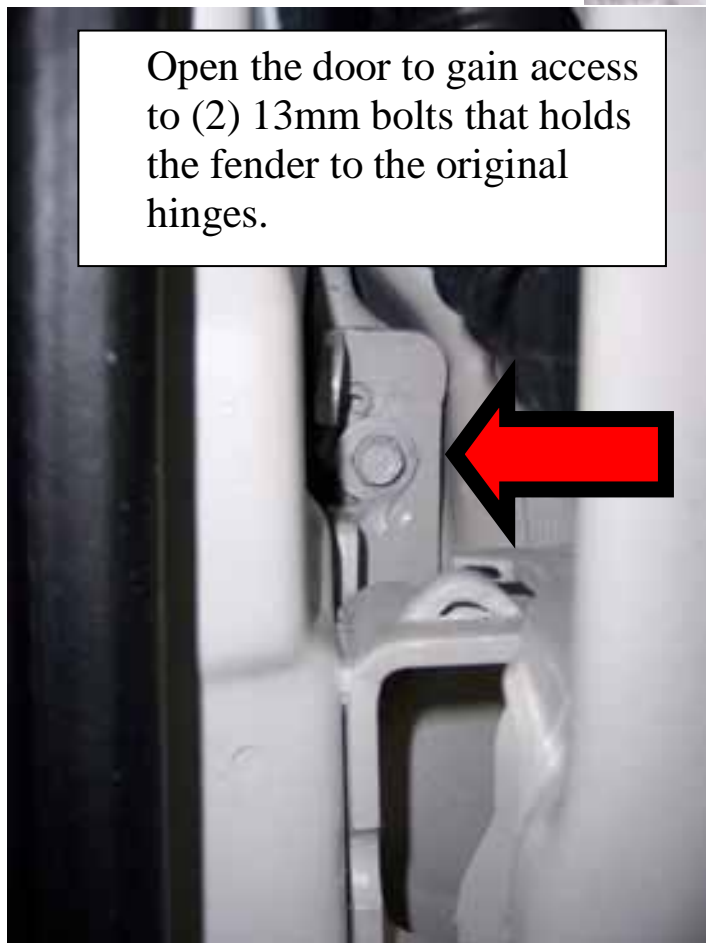
7) Remove all plastic clips

holding inner fender with the fork screw driver.

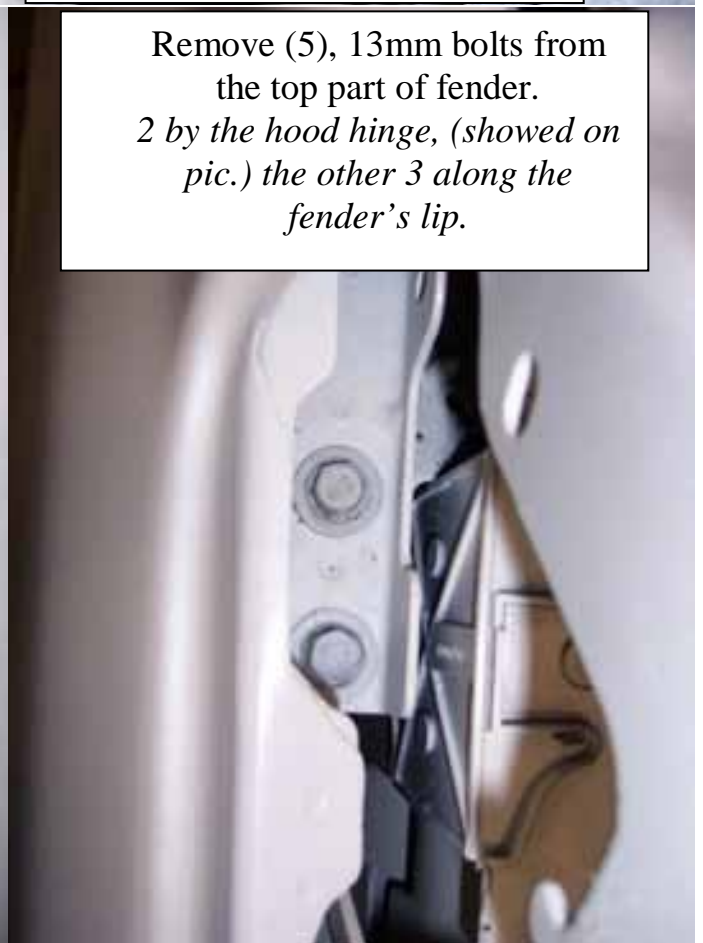
8) Remove fender.



Remove (1), 13mm bolt that attaches to the bumper. Pull back on the bumper to gain access to it.



Open the door to gain access to (2) 13mm bolts that holds the fender to the original hinges.



Remove (5), 13mm bolts from the top part of fender. 2 by the hood hinge, (showed on pic.) the other 3 along the fender's lip.

Remove (1) 13mm bolt that is located at the bottom of the bumper by the door.

Remove (2) 13mm bolts that are located by the bottom part of the hood hinge.

Remove (4) 13mm bolts that hold the Fender support. (2) That attaches the support to the body and (2) that attaches it to the fender.

9) Remove the door cover. Use the fork to remove the lock and handle covers. Under each cover you will find (1) 7/32 screw, remove them. This will free up the door cover.



To remove the door cover just lift straight up and pull. While the door panel is off, remove the door catch. After door panel has been removed undo necessary plastic clips to get more wire slack.



10) You will need to gain wire slack. After you remove the side dashboard cover also remove the foot trim and step trim, to gain access to one black wire harness under the foot cover. Make sure to Disconnect all (3) wire harnesses.



Close the door and remove the factory wire loom and pull the wires out of the body and put them inside the door.



11) Remove the door:  
Before removing the door use the blue painter's tape and a pen to mark the factory door placement. You will use the marks to replace the door, so that it looks like factory.

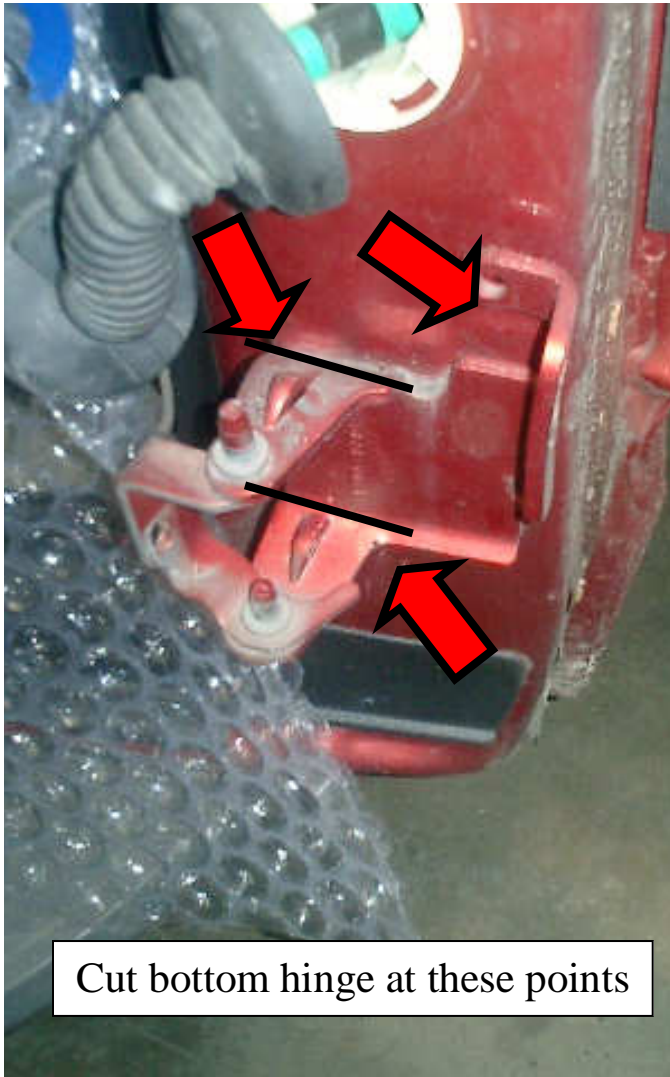
To remove the door you will need to open the door and remove (2) 10mm bolts (one on top and one on bottom) after you remove the bolts you and your helper lift up the door to remove it.



12) Cut and Grind the factory hinge.

Cut top hinge at these points.





Cut bottom hinge at these points



This is how your bottom hinge should look like

13) Cut and grind the door.

Cut and grind top and bottom hinge on the door.



Make sure all surfaces are smooth and flat.



#### 14) Replace the door:



To replace the door make sure to use the marks on the tape (step 11) use blue painters tape to secure the door to the body.

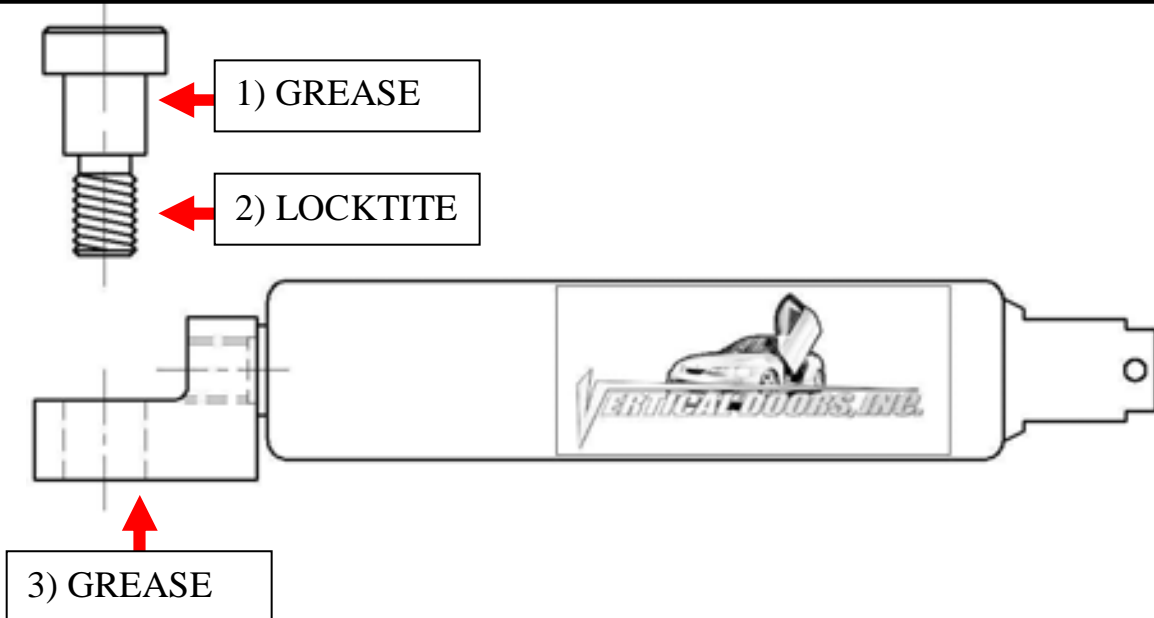


15) New hole pattern on the body and door: Center the hinge and use a “punch” to mark the new hole pattern make sure to me the marks in the middle of the holes so that you have room for adjustments later. Use a 17/64 US Drill or 6.70mm metric to make the new hole pattern for a 8MMx1.25 Tap.



16) Install your new Vertical Doors Inc. system:

Hint\* Tighten bolts on door first then the bolts on body.



**\*IMPORTANT STEP: DO NOT SKIP THIS STEP. THIS STEP IS CRUCIAL IN YOUR INSTALLATION PROCESS, IF THIS STEP IS NOT COMPLETED WHEN INSTALLING THE VERTICAL DOOR KIT; ALL WARRANTIES ARE VOIDED, AND MAY CAUSE FUTURE PROBLEMS WITH YOUR VERTICAL DOOR SYSTEM.**

1<sup>ST</sup>, make sure you put grease on the body of shoulder bolt where the arrow is pointing.

2<sup>ND</sup>, make sure you put red Loctite, where the arrow is pointing, on thread of shoulder bolt.

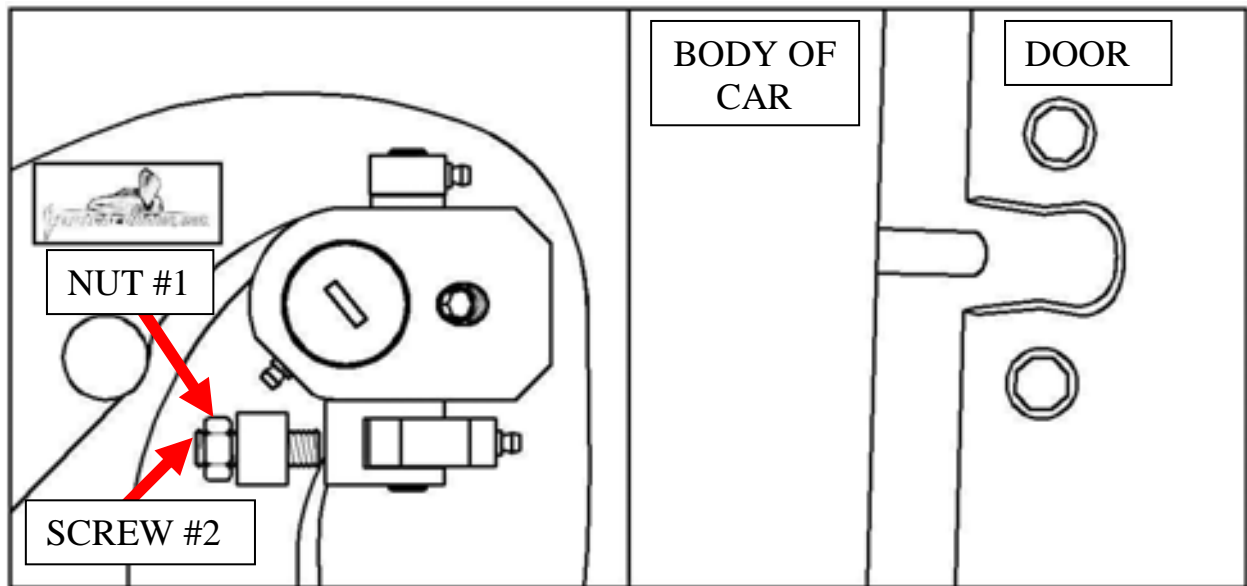
3<sup>RD</sup>, make sure you put grease on the bottom side of the shock end.



**WARNING! THE USE OF ANY TYPE PLYERS, PAINT OR FOREIGN MATERIALS ON THE SHOCK'S BODY OR SHAFT WILL VOID THE WARRANTY.**

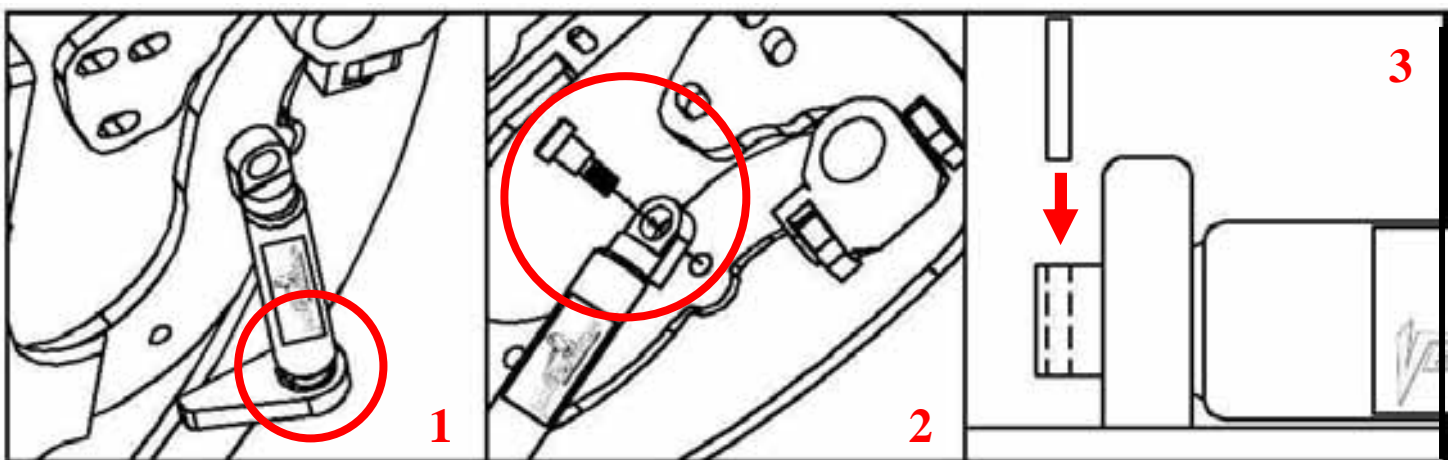
---

**17)** Once hinge is locked in place, break nut #1 then turn Allen set screw #2 on fig until it hits the block then open the door and continue to adjust until the door matches with the striker, open and close door making sure it closes like factory.



*Hint\* (leave #1 nut loose until shock is installed Allen set screw will have to be re-adjusted after shock is installed).*

**18)** Install the shock.

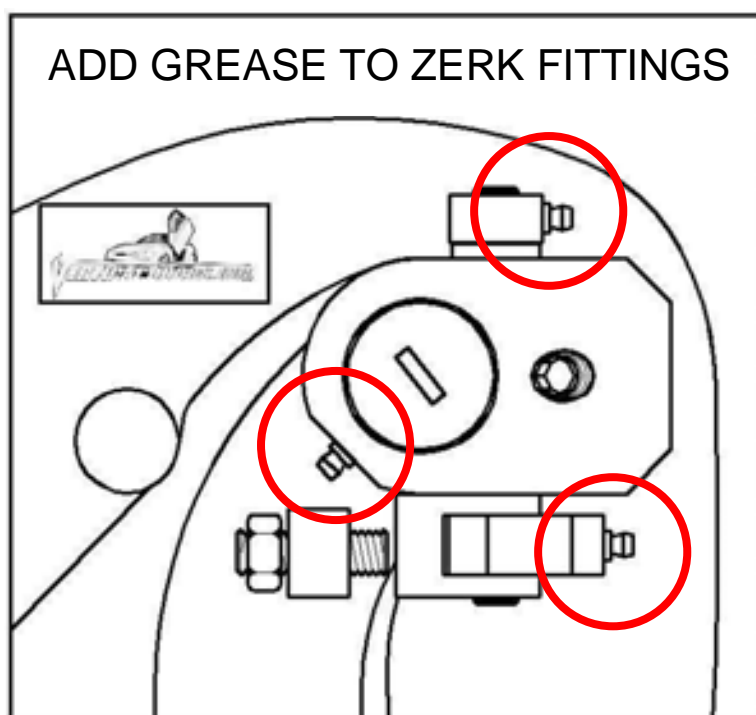
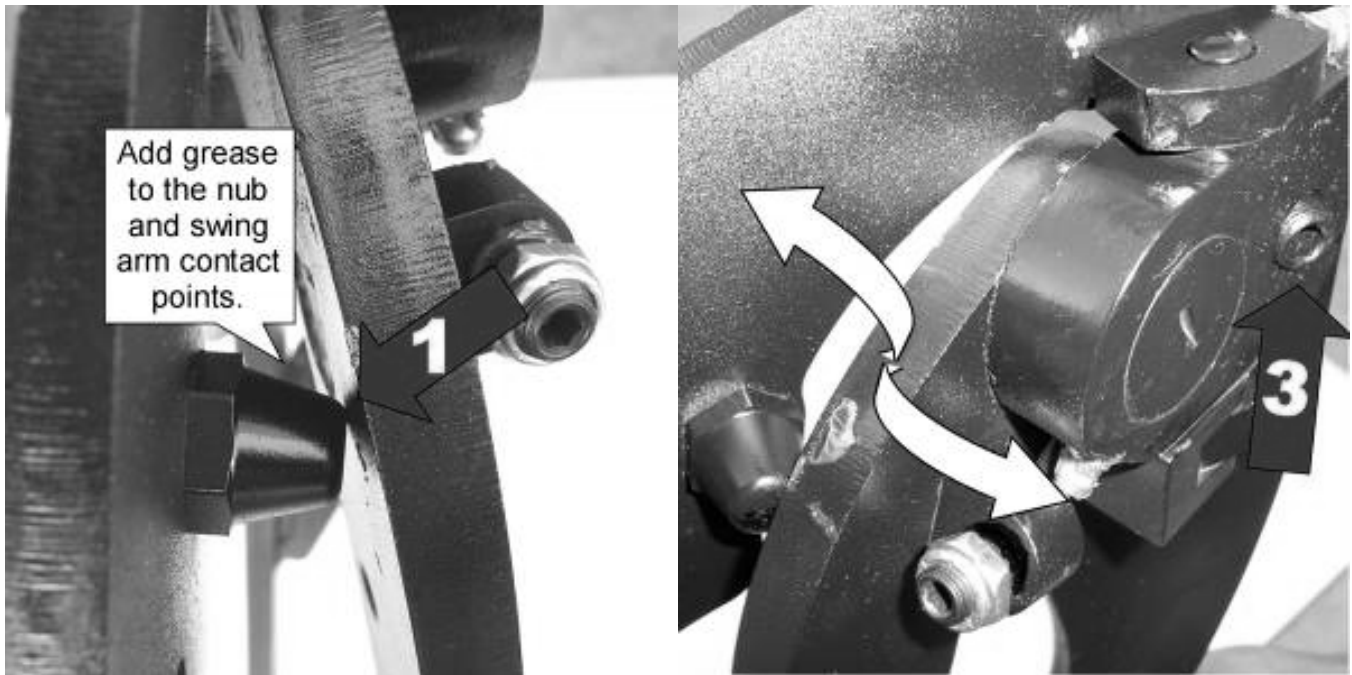


*Hint\* (You will need a helper to raise the door). (Slip the spherical rod mount into the spherical ball bearing (1). Using a 1/4 Allen wrench, tighten the screw into the swing arm (2). After the shock is installed secure it by installing the pin in the bottom shock end (3).*



**19)** After shock is installed re-install door panel and lift the door. Adjust door opening screw #3 clockwise until distance between nub and swing arm is enough so that the swing arm moves up and down freely.

*Hint\* (Fine tune the Allen Adjustment screw (#2) to realigned striker with door. After the door is align test door by opening and closing, lifting and lowering door several times.*



**Note:** Do not install fender until the adjustment of the door is accurate, and the set screw is tightly secure. Also make sure everything is tight, adjustment is set and everything is **Loctite**.

20) Modify wire arrangement. You will need a little more slack on the wires. Cut the factory wire loom in half and add after marker wire loom to protect the exposed wires. Run the wire as showed on the picture and reconnect all (3) wire harnesses in their original place.



21) You will have to cut the inner lip of your fender to make room for the new Vertical Doors Inc. system.

***NOTE: The picture below is for a Tahoe.***



***NOTE: The picture below is for an Escalade. Cut along the dotted lines.***



22) Lift the door and Replace the fender.

23) Replace door panel.

*Hint\*(Make sure the electrical wires don't get pinched enough to damage wires)*

24) Follow the same steps for the other side.