

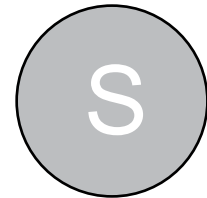


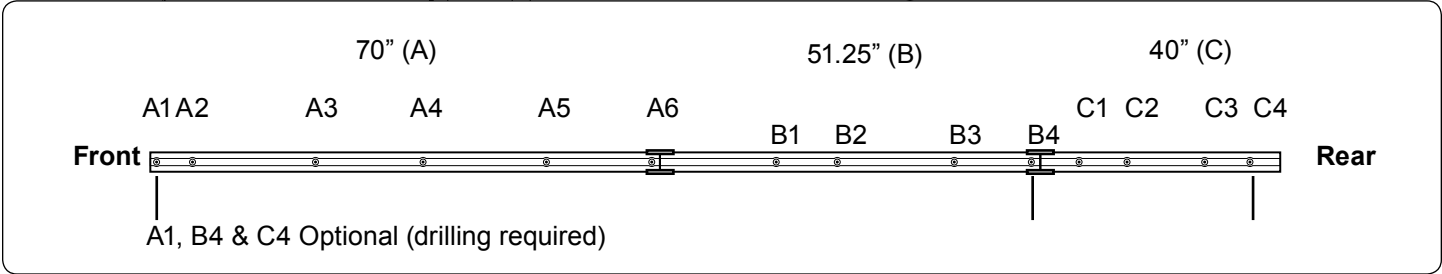
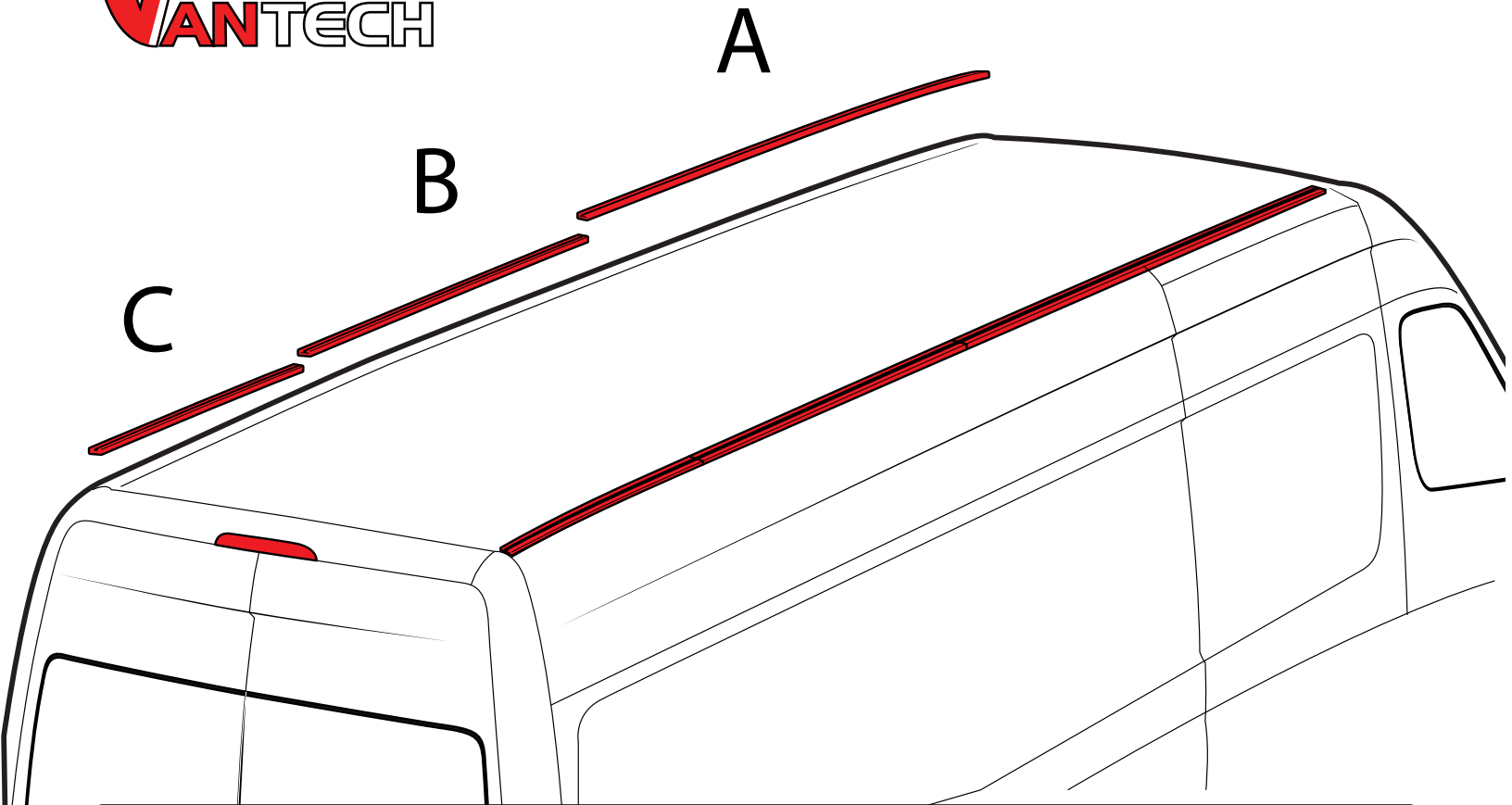
# Warehouse Use Only

---

Part #	QUANTITY
D201	1
R22	2
R23	2
R24	2
G040	2
G052	2
G070	2

Part #:	R21
Dimensions:	4" X 4" X 71" (Telescopic)
Weight:	???





### PRODUCT INFO

System:            A297-170 (Tracks)  
Material:           Aluminum  
Fitment:           Sprinter 2007-On  
  
Color:              [ ] Silver  
Instruction #:      R21

### REQUIRED TOOLS

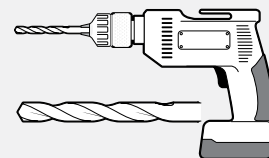
7/16" Wrench

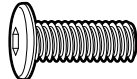



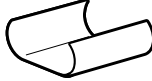



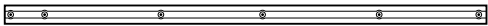

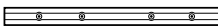


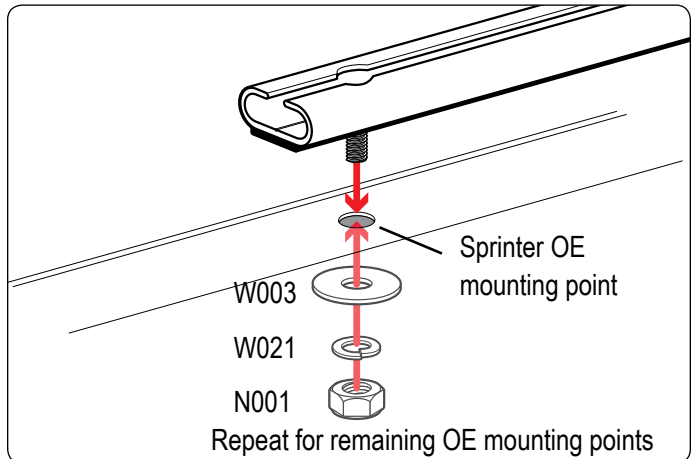
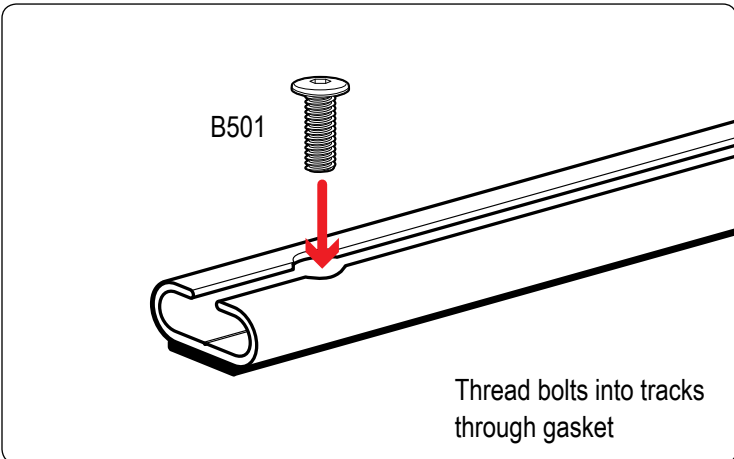
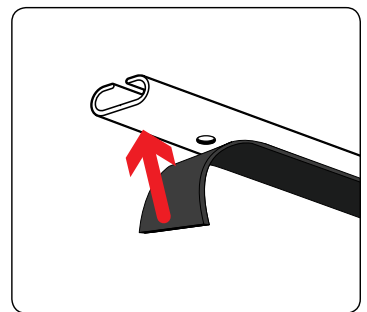
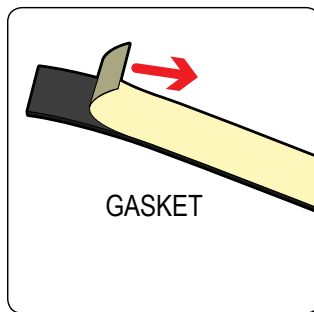
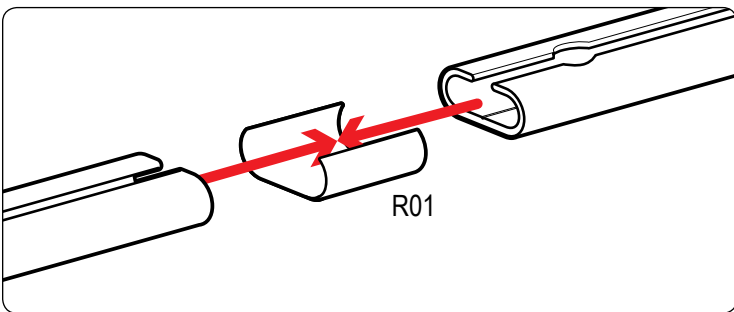
Allen Key 4mm



Drill with  
3/8" Drill Bit  
(Optional)



PART #	DESCRIPTION	QUANTITY	ITEM Not Drawn To Scale
B501	1/4" X 1" SHAVED BUTTON HEAD ALLEN BOLT	30	
W003	1/4" X 3/4" WASHER	30	
W021	1/4" LOCK WASHER	30	
N001	1/4" NUT	30	
R01	TRACK CONNECTOR	4	
G040	GASKET 1/5" WIDE, 40" LONG	2	
G052	GASKET 1/5" WIDE, 51.25" LONG	2	
G070	GASKET 1/5" WIDE, 70" LONG	2	
R22	SPRINTER RAIL "A" (70")	2	
R23	SPRINTER RAIL "B" (51.25")	2	
R24	SPRINTER RAIL "C" (40")	2	



Find out more about roof racks we have.