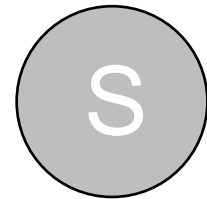
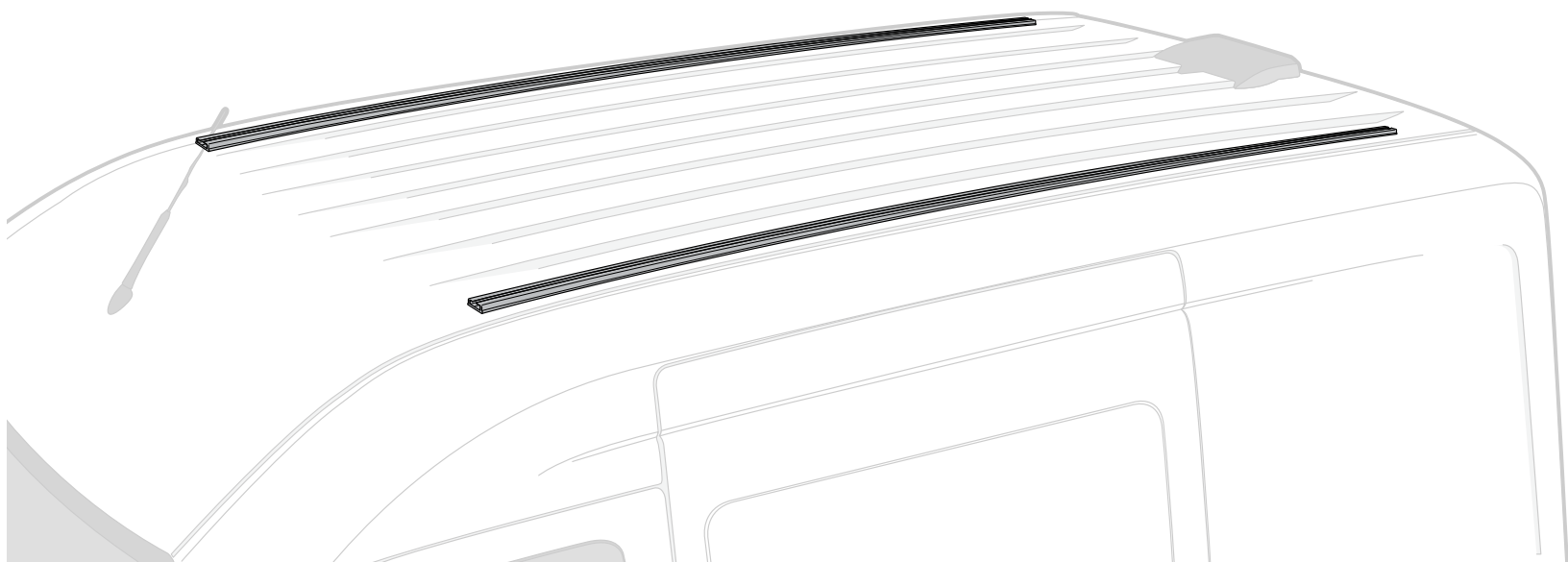


Warehouse Use Only

Part #	QUANTITY
D202	1
R16	2
G069	2

Part #:	R16
Dimensions:	4" X 4" X 70" (Telescopic)
Weight:	???





PRODUCT INFO

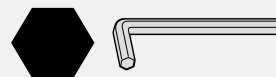
System: Tracks A297-69
Material: Aluminum
Fitment: Ford Transit Connect
2008-13
Color: [] Silver
Instruction #: R16

REQUIRED TOOLS

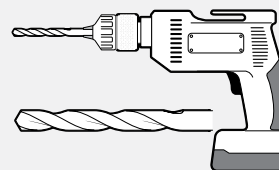
Marker



Allen Key 4mm



Drill with
3/8" Drill Bit



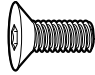
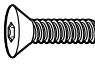

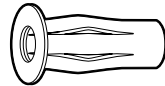
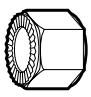



7/16" Wrench



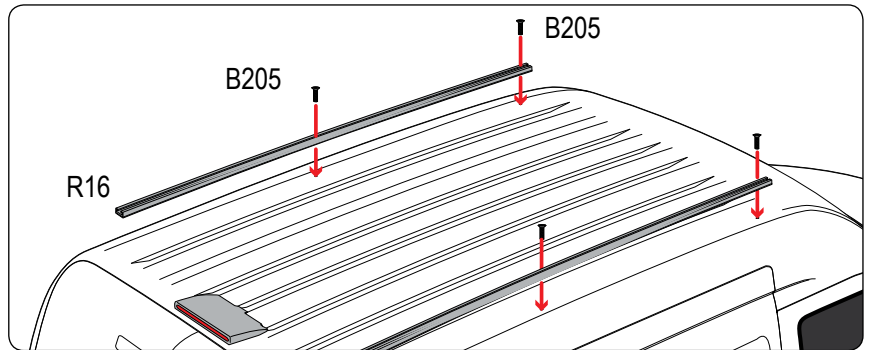
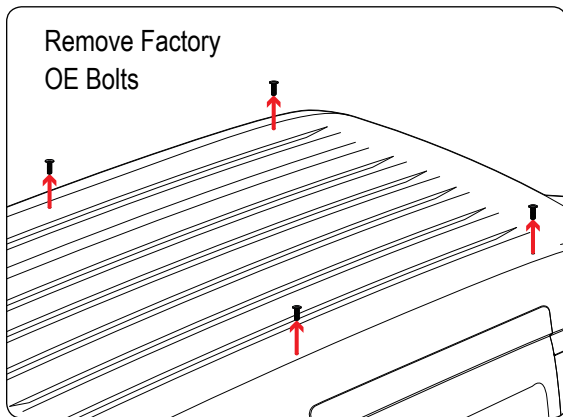
9/16" Wrench



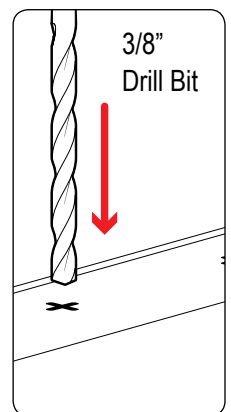
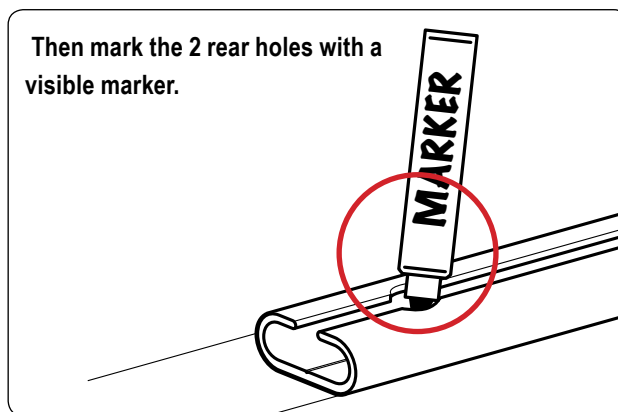
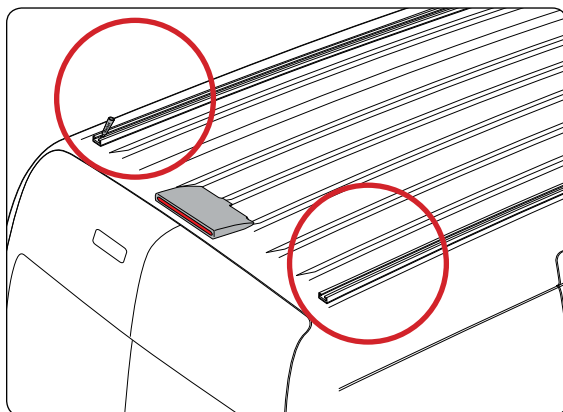
Packaged by _____
Date _____

PART #	DESCRIPTION	QTY	ITEM
SS-B205	M8-25MM COUNTER SUNK ALLEN BOLT	4	
SS-B152	1/4" X 1" COUNTER SUNK (FOR ANCHOR)	2	
B056	1/4" X 2" HEX BOLT (TOOL)	1	
N024	1/4" ANCHOR NUT	2	
N020	1/4" ANCHOR TOOL	1	
W004	1/4" WASHER	1	
G069	GASKET 69.5" X 1 1/2"	2	
R16	TRANSIT CONNECT 69" RAIL	2	

ITEM NOT DRAWN TO SCALE



*To Ensure proper alignment secure the Tracks with B205 onto the Transit Connect.



ANCHOR KIT (PLUS NUT) INSTALLATION

