

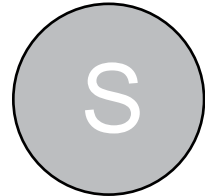


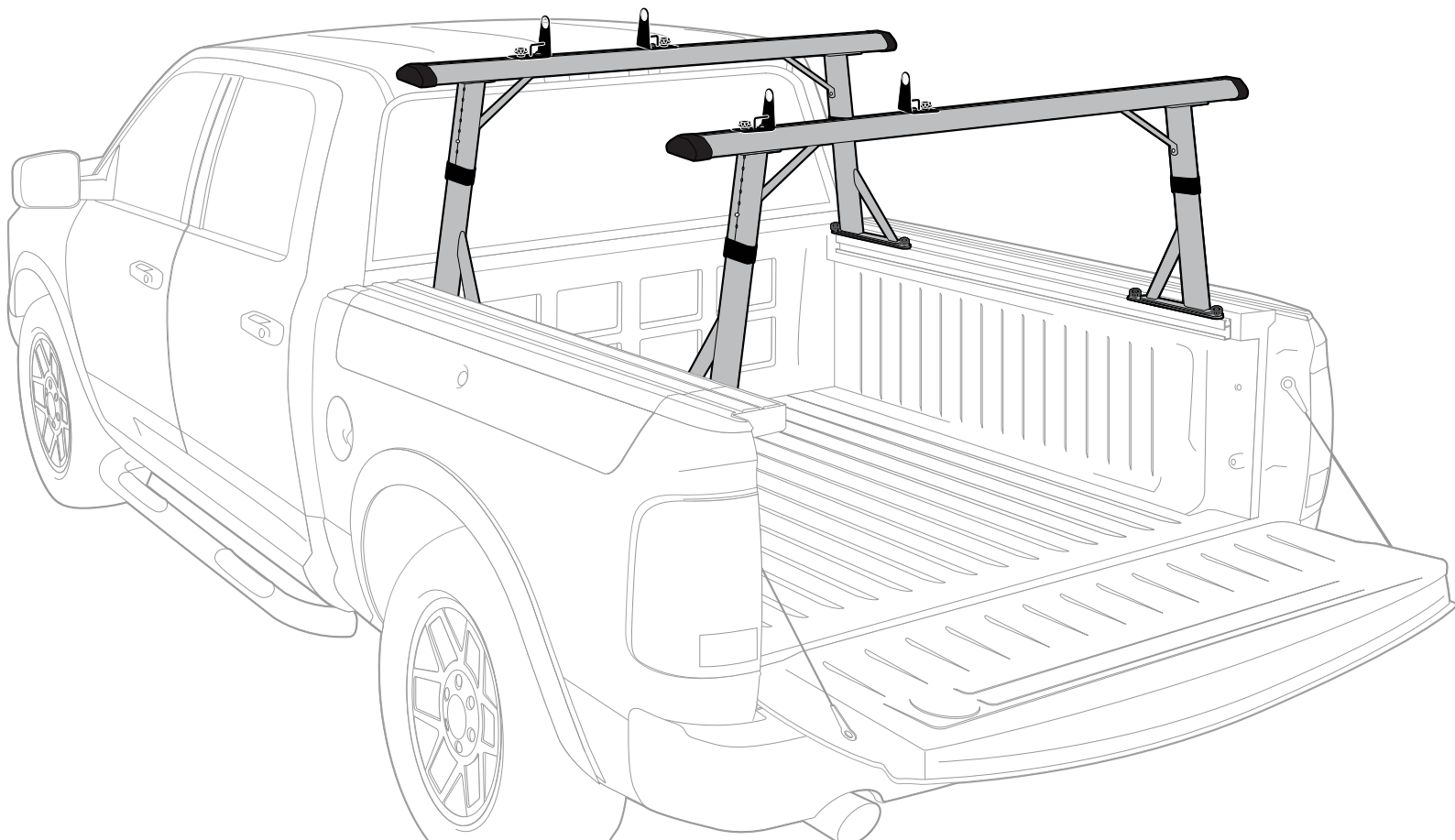
# Warehouse Use Only

---

Part #	QUANTITY
D106	1
P131S/ P132S	2
A513	4
P013S	4
A286-55S	2
Z286	4
A20	4

Part #:	P3510S
Dimensions:	8" X 8" X 56" (Telescopic)
Weight:	???





### PRODUCT INFO

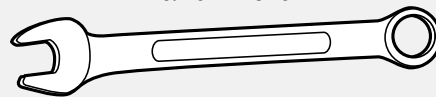
---

Part #: P3510S  
System: P3000  
Material: Aluminum  
Fitment: RAMBOX  
Color: Silver

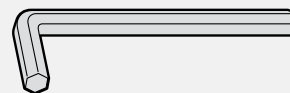
### REQUIRED TOOLS

---

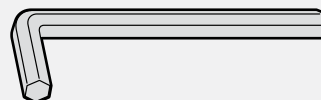
9/16" Wrench



3/16" Allen Key Wrench



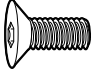
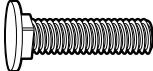




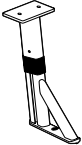
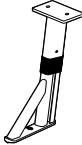
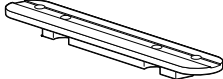






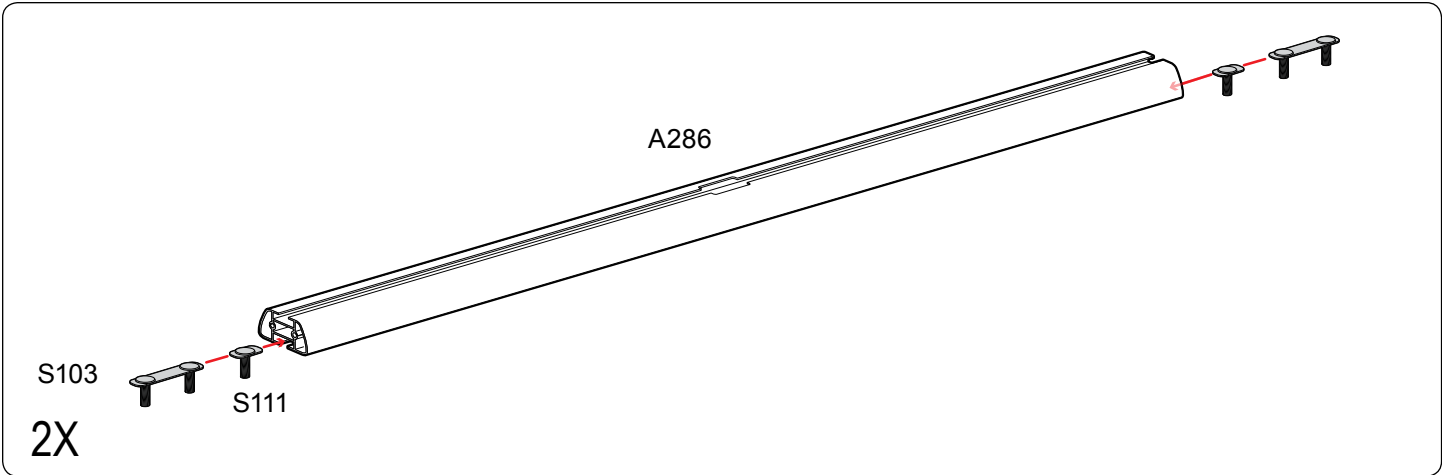
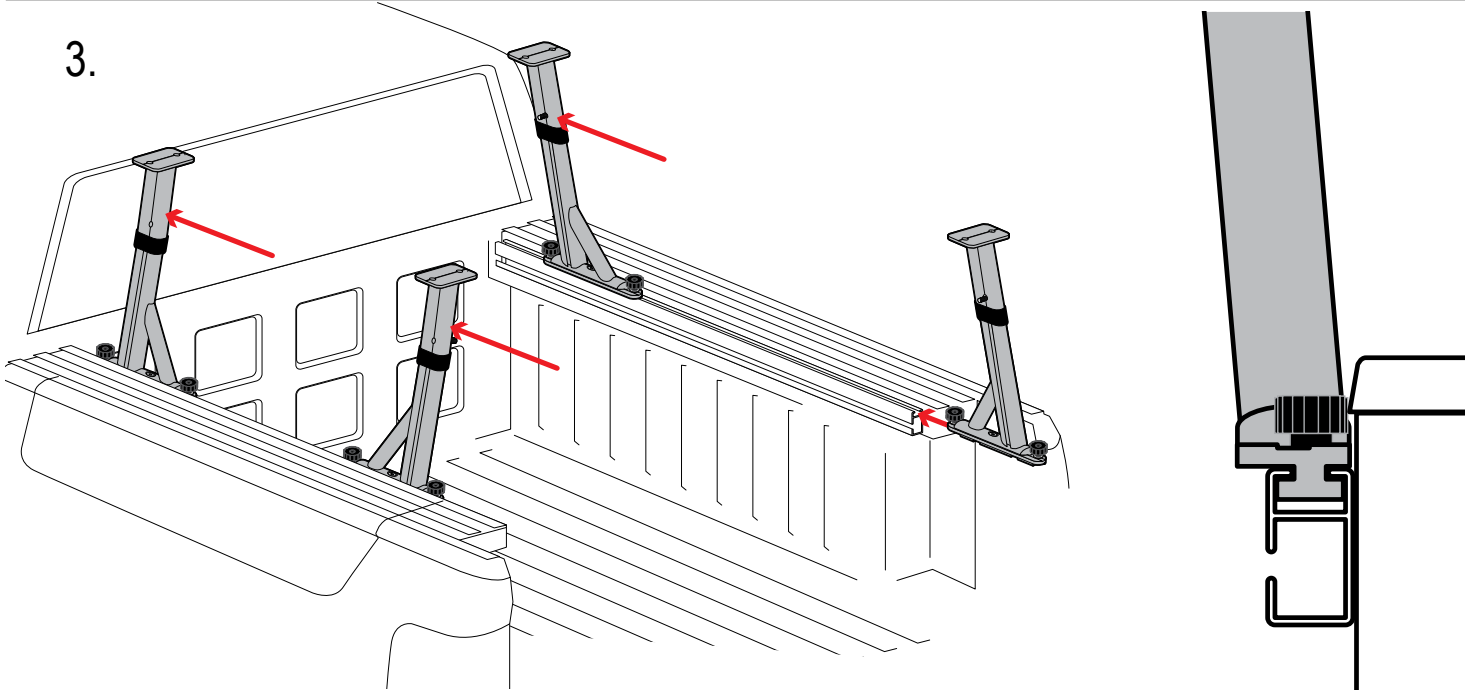
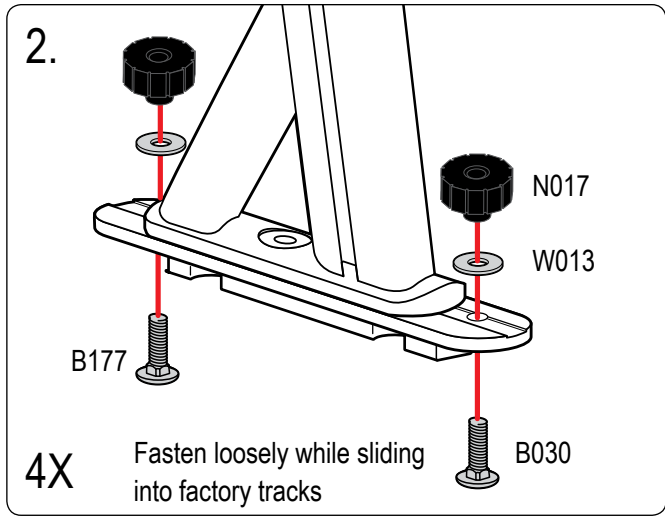
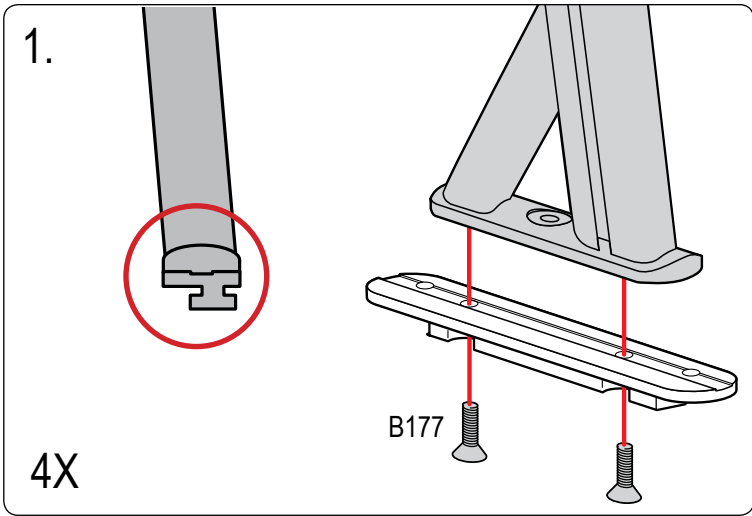
7/32" Allen Key Wrench

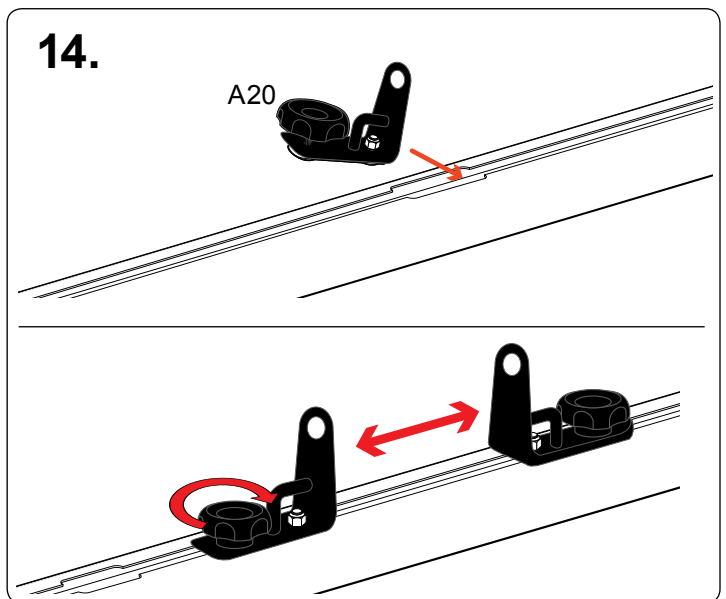
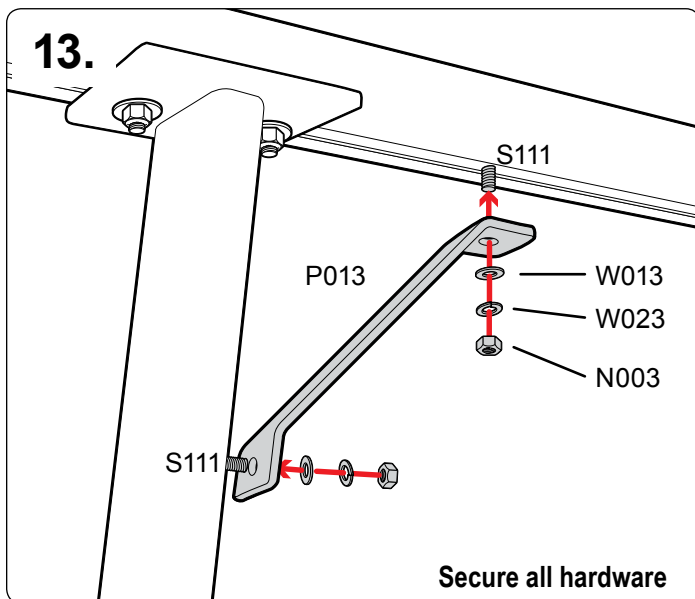
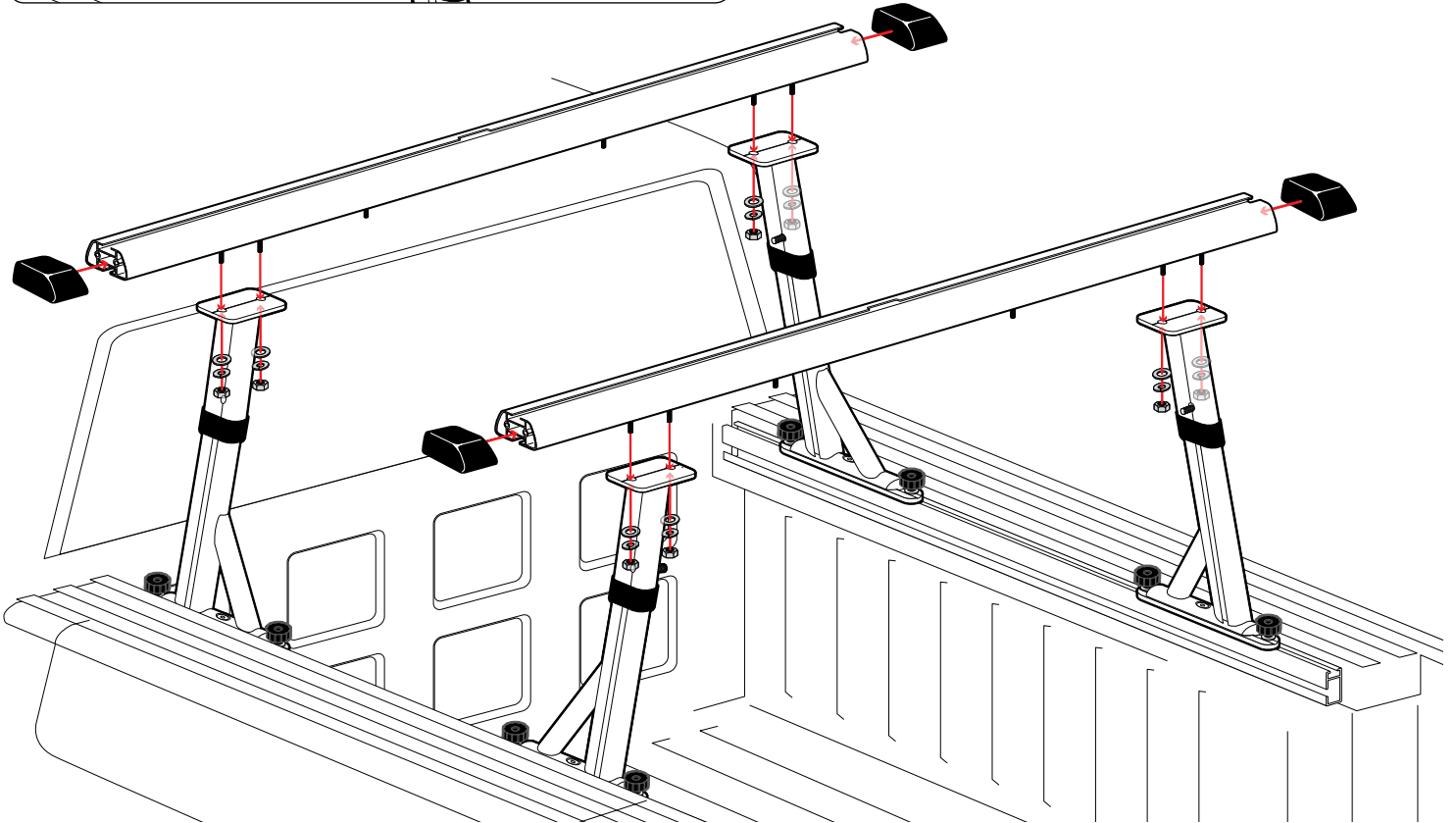
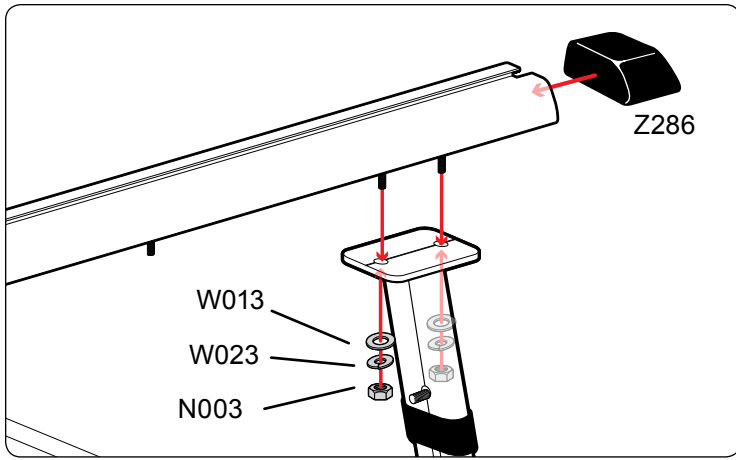


Marker



PART #	DESCRIPTION	QTY	ITEM ITEM NOT DRAWN TO SCALE
S111	3/8" SINGLE SLIDER (LENGTH 1")	4	
S103	3/8" DOUBLE SLIDER 3"	4	
B177	3/8" X 3/4" COUNTERSUNK BOLT	8	
SS-B030	3/8" X 1 1/2" CARRIAGE BOLT (SHAVED TOP)	8	
SS-N003	3/8" NUT	16	
N017	3/8" KNOB SMALL	8	
W013	3/8" X 3/4" WASHER	24	
W023	3/8" LOCK WASHER	16	
P131	ADJUSTABLE" UPRIGHT L	2	
P132	ADJUSTABLE" UPRIGHT R	2	
A513	RAMBOX ADAPTOR	4	
P013	ANGLED BRACE	4	
A286-55	3" X 1.5" X 55" CROSS BAR	2	
Z286	A286 ENDCAPS	4	
A20	ADJUSTABLE LADDER GUIDE	4	





Choose reliable truck bed accessories offered on our website.