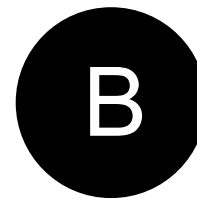


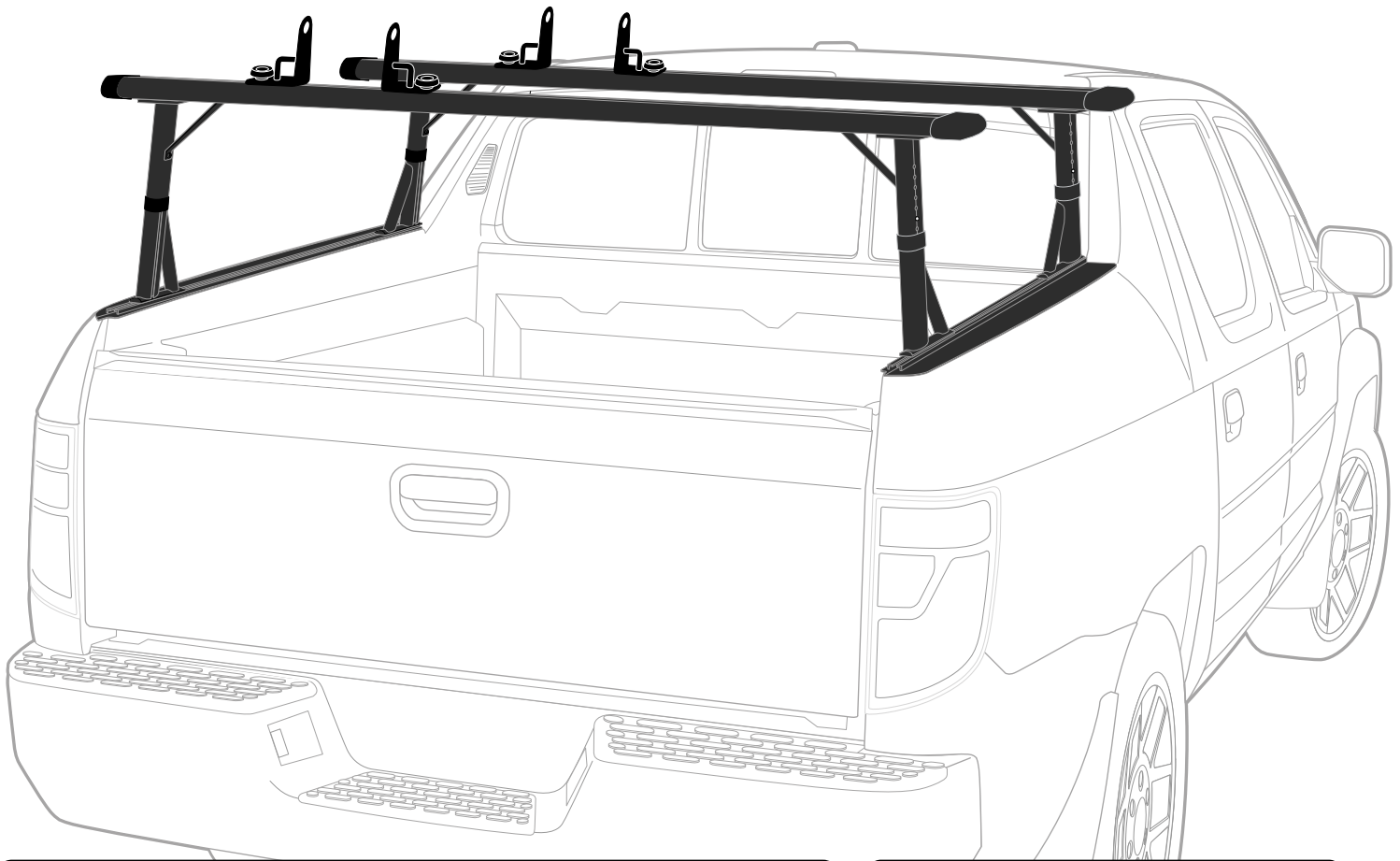


Warehouse Use Only

Part #	QUANTITY
D104	1
P101B/ P102B	1
P103B/ P104B	1
P013B	4
R70B	1
R71B	1
A286-65B	2
Z286	4
A20	4

Part #:	P3309B
Dimensions:	8" X 8" X 66" (Telescopic)
Weight:	???





PRODUCT INFO

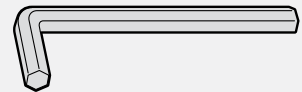
Part #: P3309B
System: P3000
Material: Aluminum
Fitment: Honda Ridgeline 2006-15
Color: Black

REQUIRED TOOLS

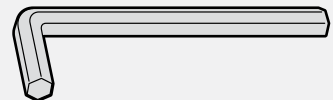
9/16" Wrench



3/16" Allen Key Wrench














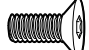

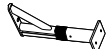











7/32" Allen Key Wrench

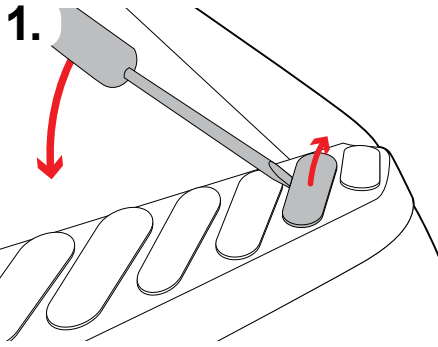


Marker

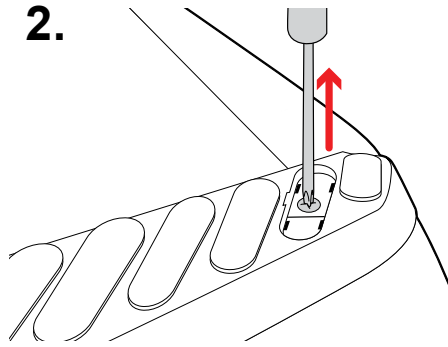


PART #	DESCRIPTION	QTY	ITEM
SS-S101	3/8" X 3/4" SINGLE SLIDER	8	
SS-S103	3/8" X 3/4" DOUBLE SLIDER (3" BOLT TO BOLT)	4	
SS-S111	3/8" X 1" SINGLE SLIDER	4	
SS-S112	3/8" X 1" SINGLE SLIDER	4	
W008	5/16" X 3/4" WASHER	1 TOOL (OPTIONAL)	
SS-W013	3/8" X 3/4" WASHER	20	
W023	3/8" LOCK WASHER	16	
N003	3/8" NUT	16	
N012	5/16" PLUS NUT	2 (OPTIONAL)	
N016	5/16" 3/8" KNOB	4	
N020	5/16" PLUS NUT TOOL	1 (OPTIONAL)	
N013	5/16" CAGE NUT	12 (+2 SPARE)	
B069	5/16" X 2" HEX BOLT	1 (TOOL)	
SS-B165	5/16" X 1" COUNTER SUNK BOLT	14	
SS-B251	1/4" X 1/2" CYLINDER HEAD ALLEN BOLT	2	
P101	DRIVERSIDE FRONT UPRIGHT	1	
P102	PASSENGER FRONT UPRIGHT	1	
P103	DRIVERSIDE REAR UPRIGHT	1	
P104	PASSENGER REAR UPRIGHT	1	
R70	ADAPTOR PLATE DRIVER SIDE	1	
R71	A DAPTOR PLATE PASSENGER SIDE	1	
P013	ANGLED BRACE	4	
A286-65	3" X 1.5" X 65" CROSS BAR	2	
Z286	ENDCAPS	4	
A20	ADJUSTABLE GUIDE	4	

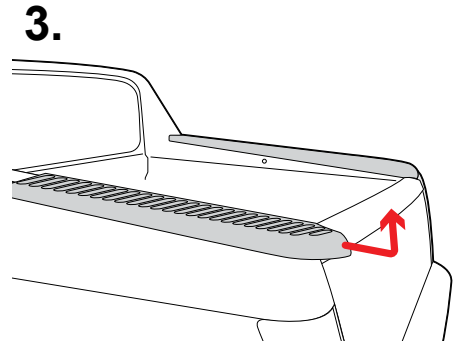
ITEM NOT DRAWN TO SCALE



1. Use a flat head screw driver and pop open the 2nd ridge from the rear.



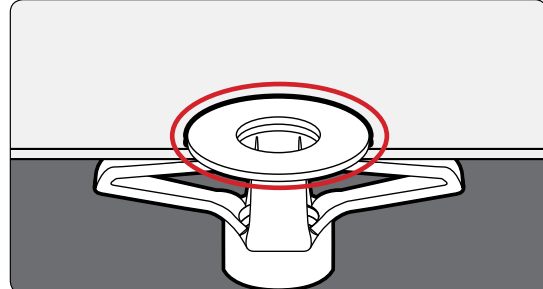
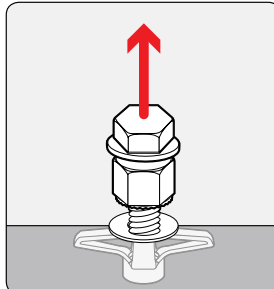
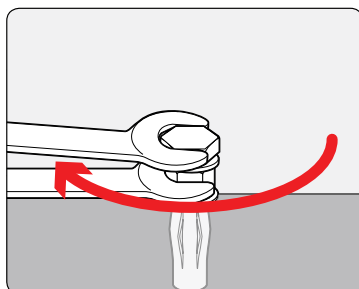
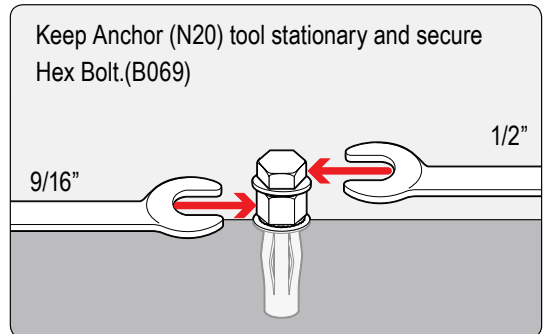
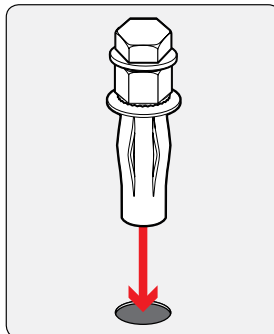
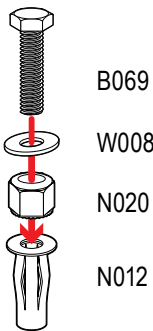
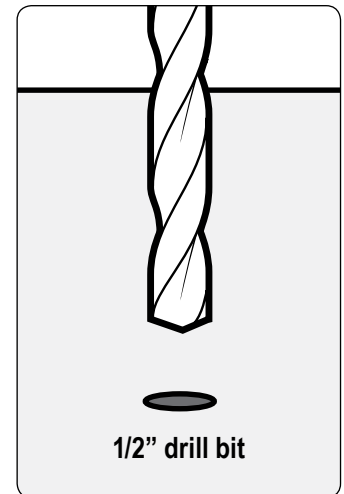
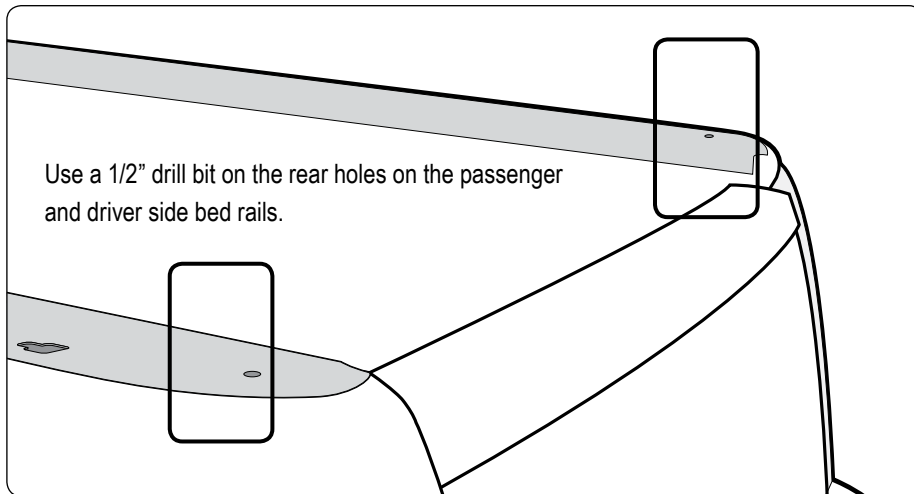
2. Using a phillips head screw drive unscrew the factory bolt.



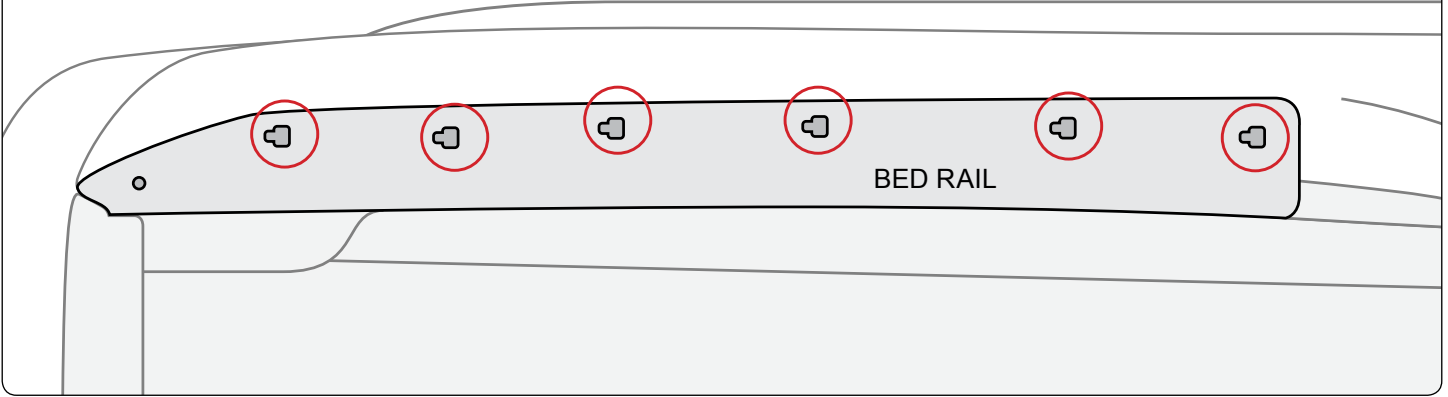
3. Pull the back the plastic bed rail 1" and then pull up gently to removed from vehicle.

Optional Plus Nut Installation (Drilling Required)

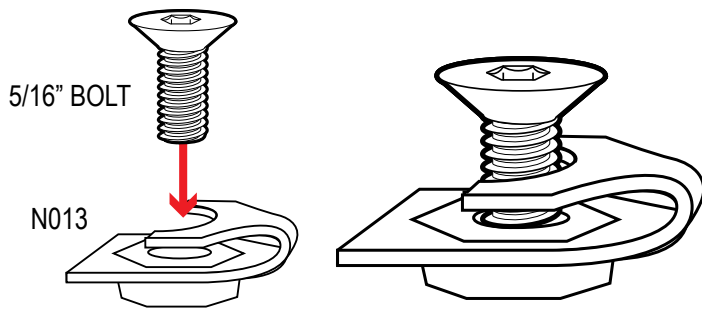
For additional strength you may use the optional anchor kit. Instructions are as follows.



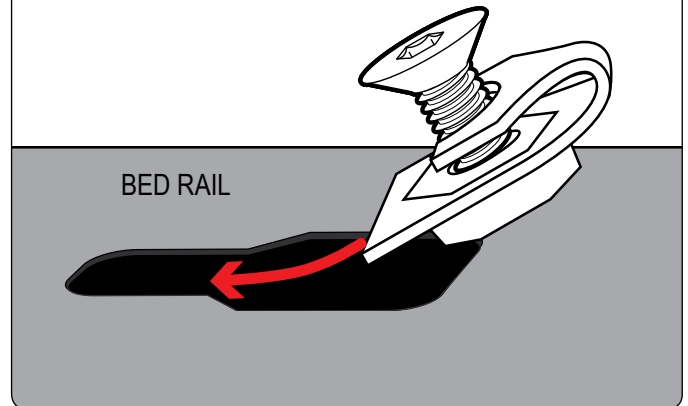
4. Slide the cage nuts into the following locations. Repeat on passenger side.



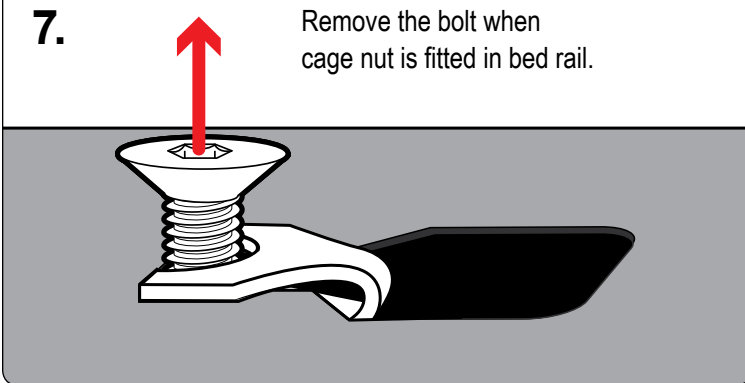
5. To minimize risk of losing a cage nut, screw in a 5/16" bolt for easier handling.



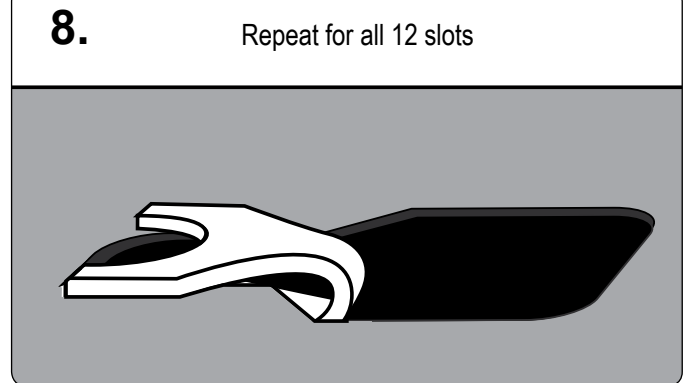
6.



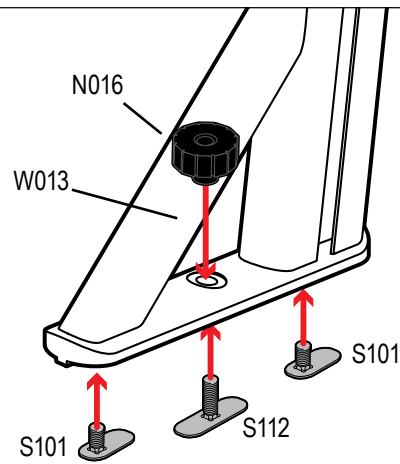
7. Remove the bolt when cage nut is fitted in bed rail.



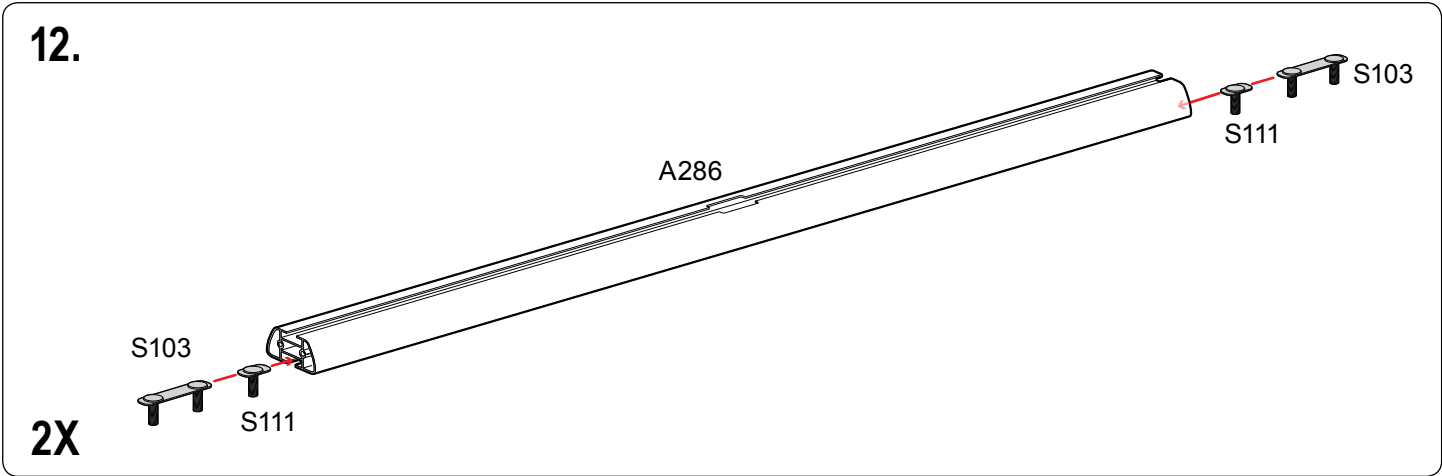
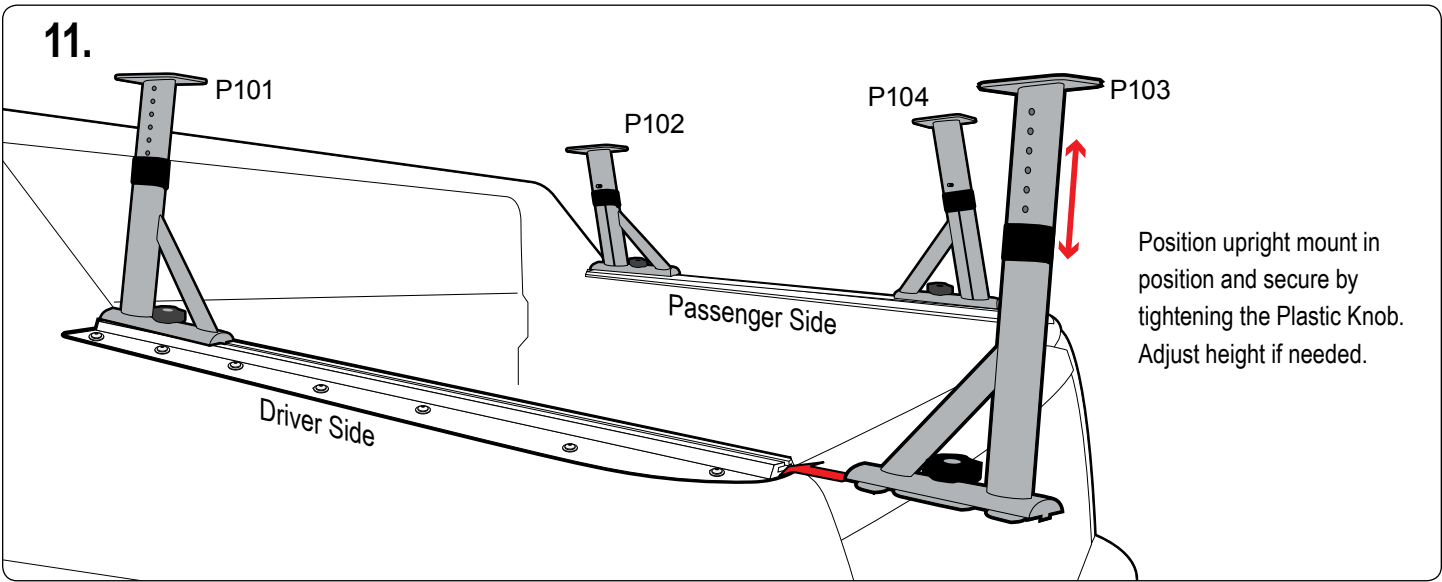
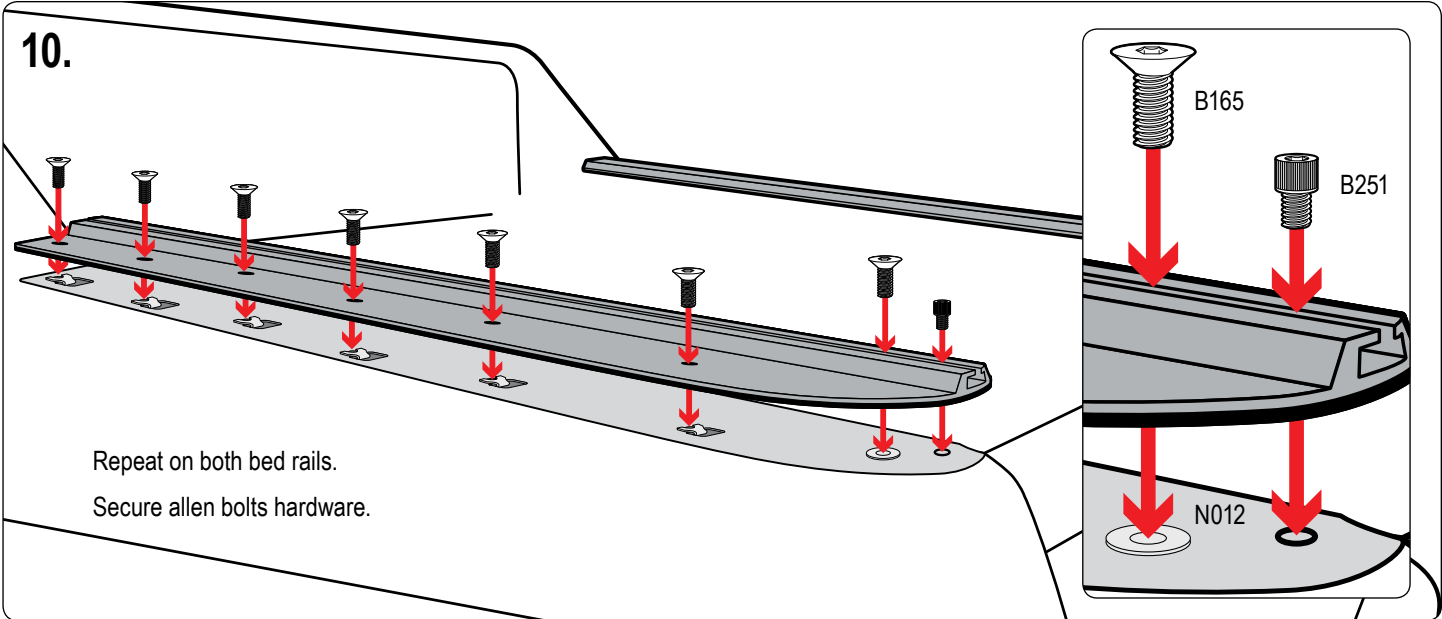
8. Repeat for all 12 slots

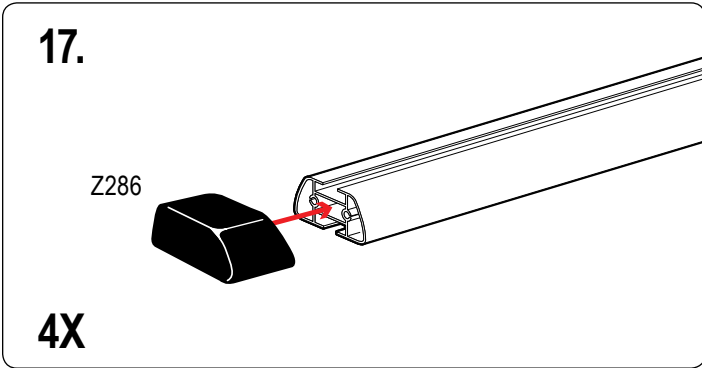
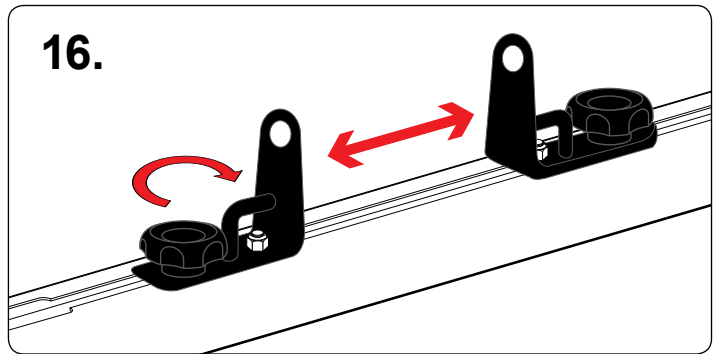
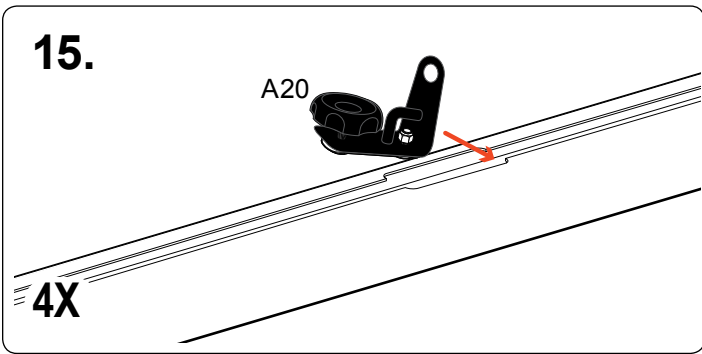
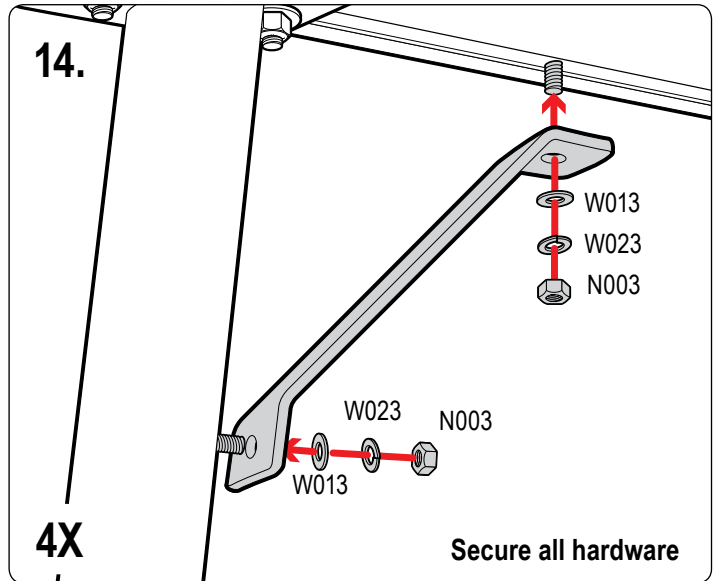
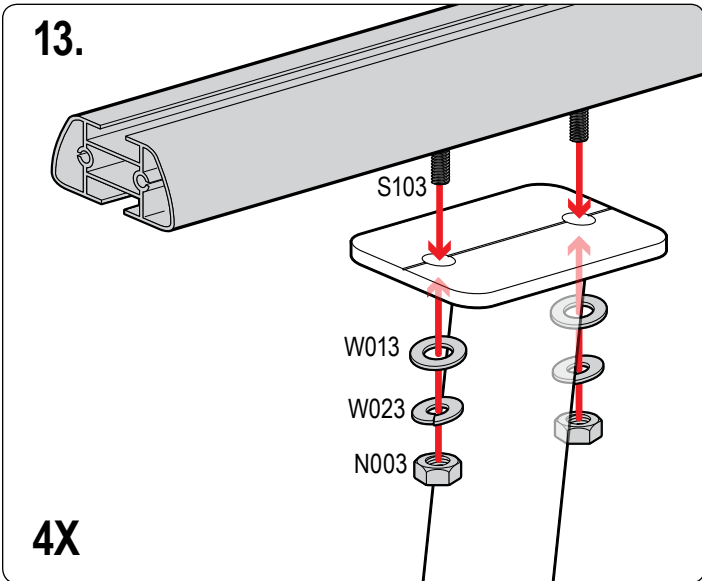


9.



4X





-After adjusting the cross bar and uprights to align correctly and centered Tightly secure all hardware.

