

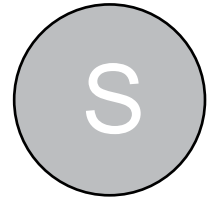


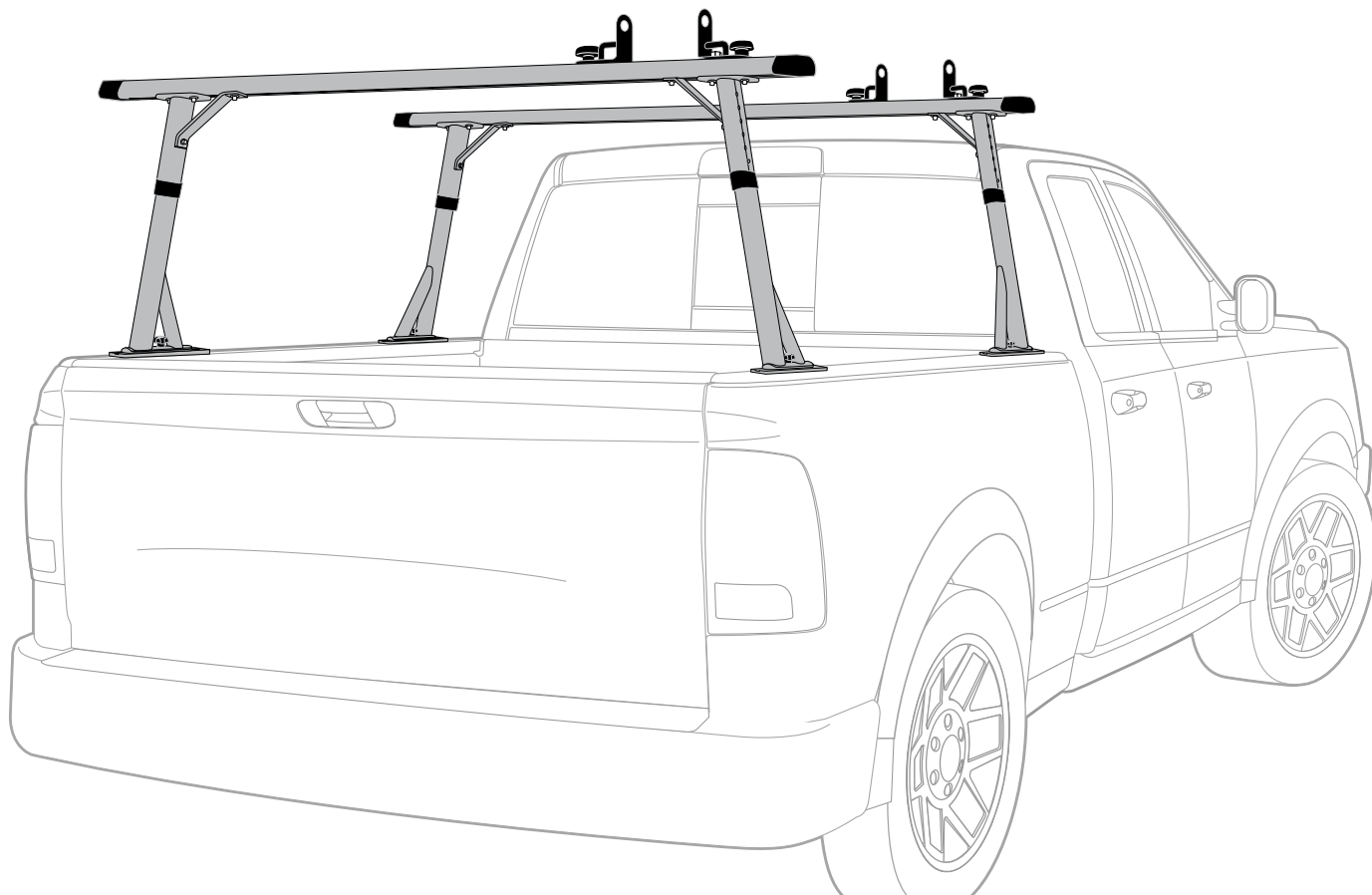
# Warehouse Use Only

---

Part #	QUANTITY
D102	1
P131S/P132S	2
A416S	4
P013S	4
A286-72S	2
G313	4
Z286	4
A20	4

Part #:	P3052S
Dimensions:	8" X 8" X 73" (Telescopic)
Weight:	???



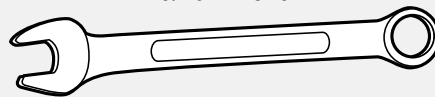


## PRODUCT INFO

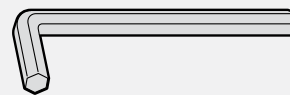
Part #: P3052S  
System: P3000  
Material: Aluminum  
Fitment: Pickup (Drilling Required)  
Color: Silver

## REQUIRED TOOLS

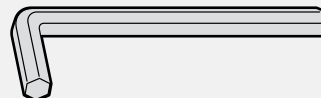
9/16" Wrench



3/16" Allen Key Wrench


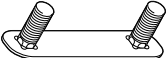

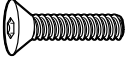
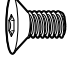





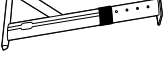

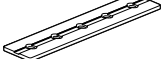







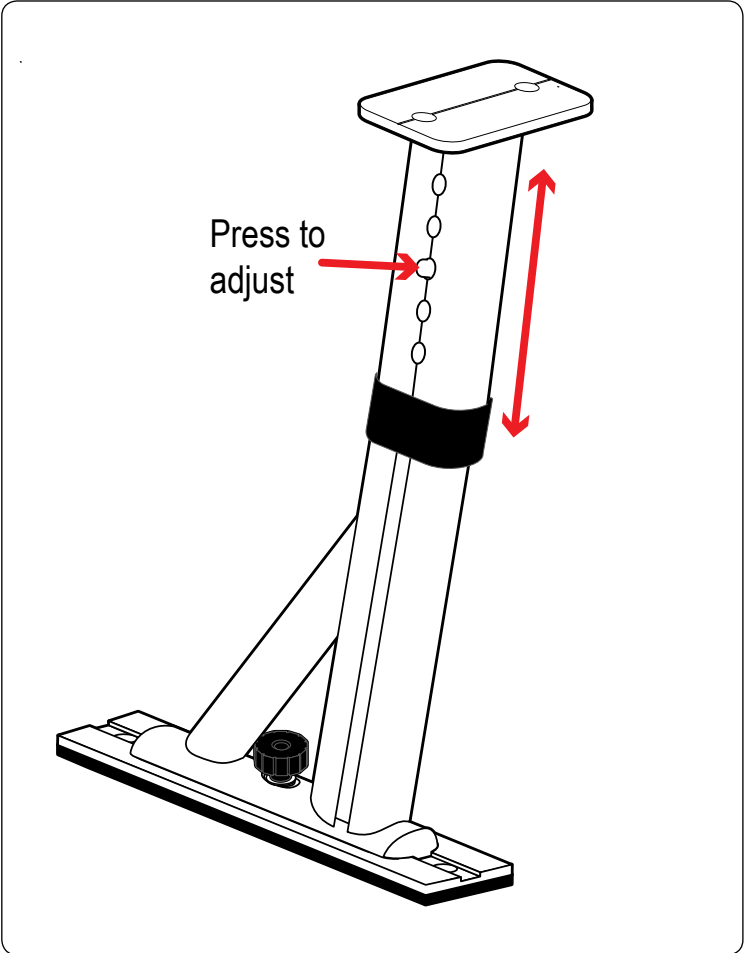
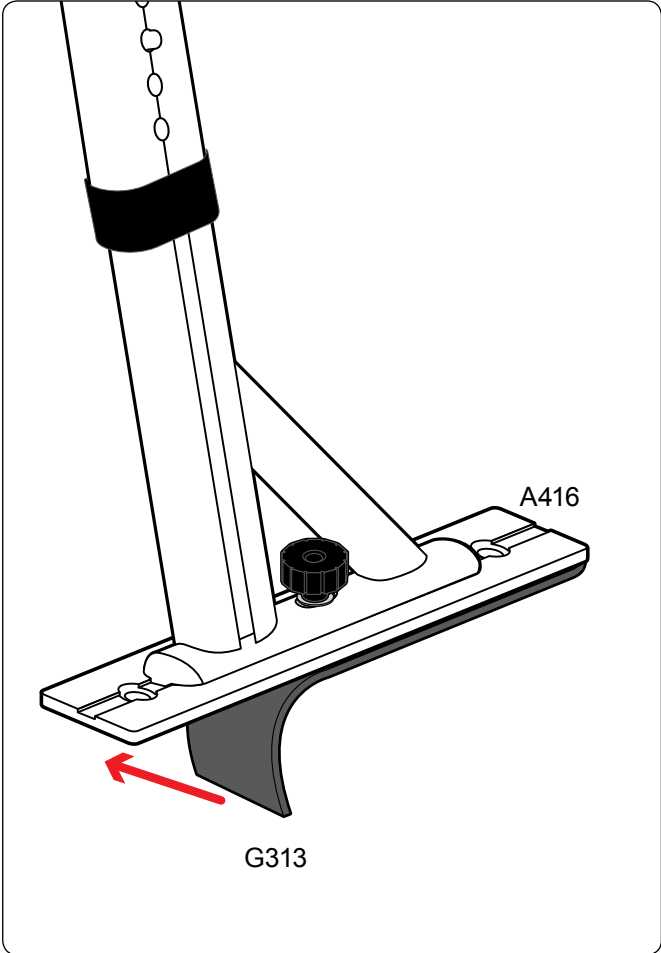
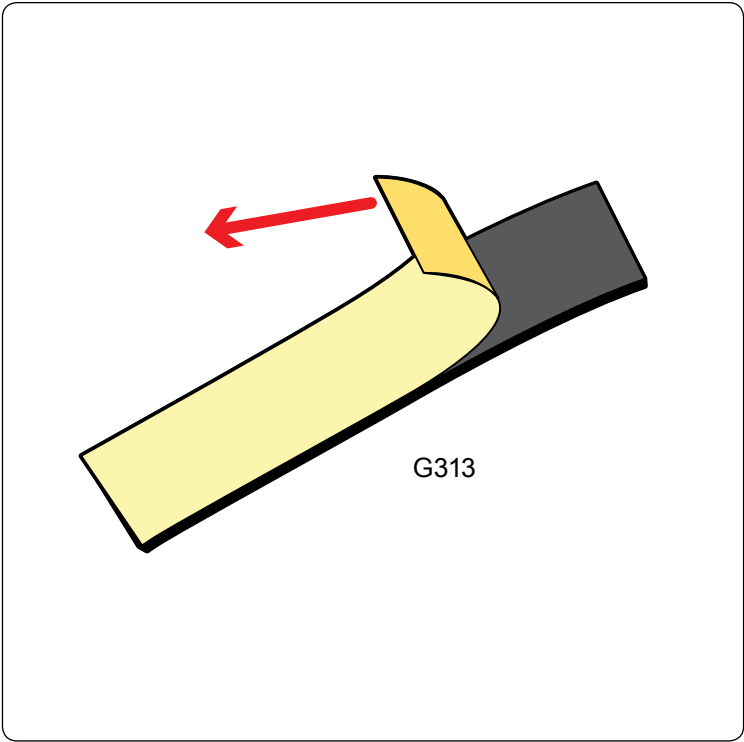
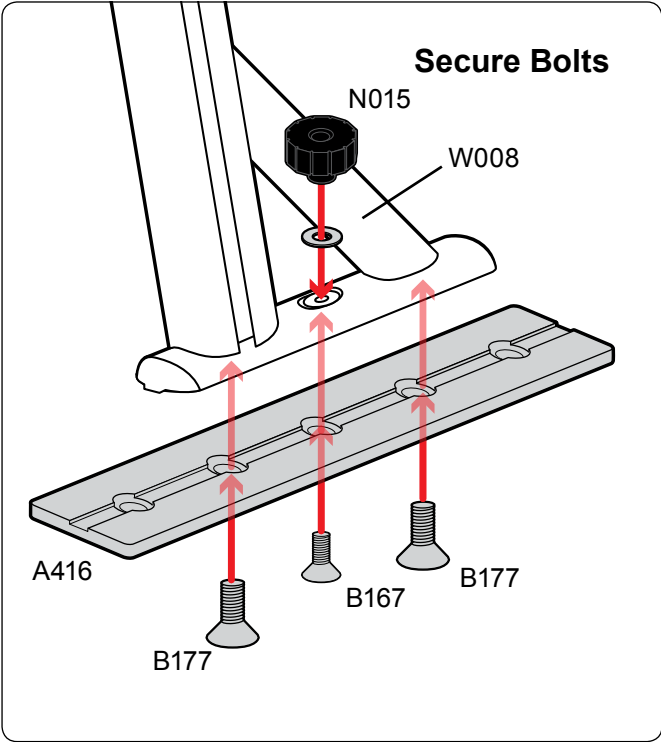
7/32" Allen Key Wrench

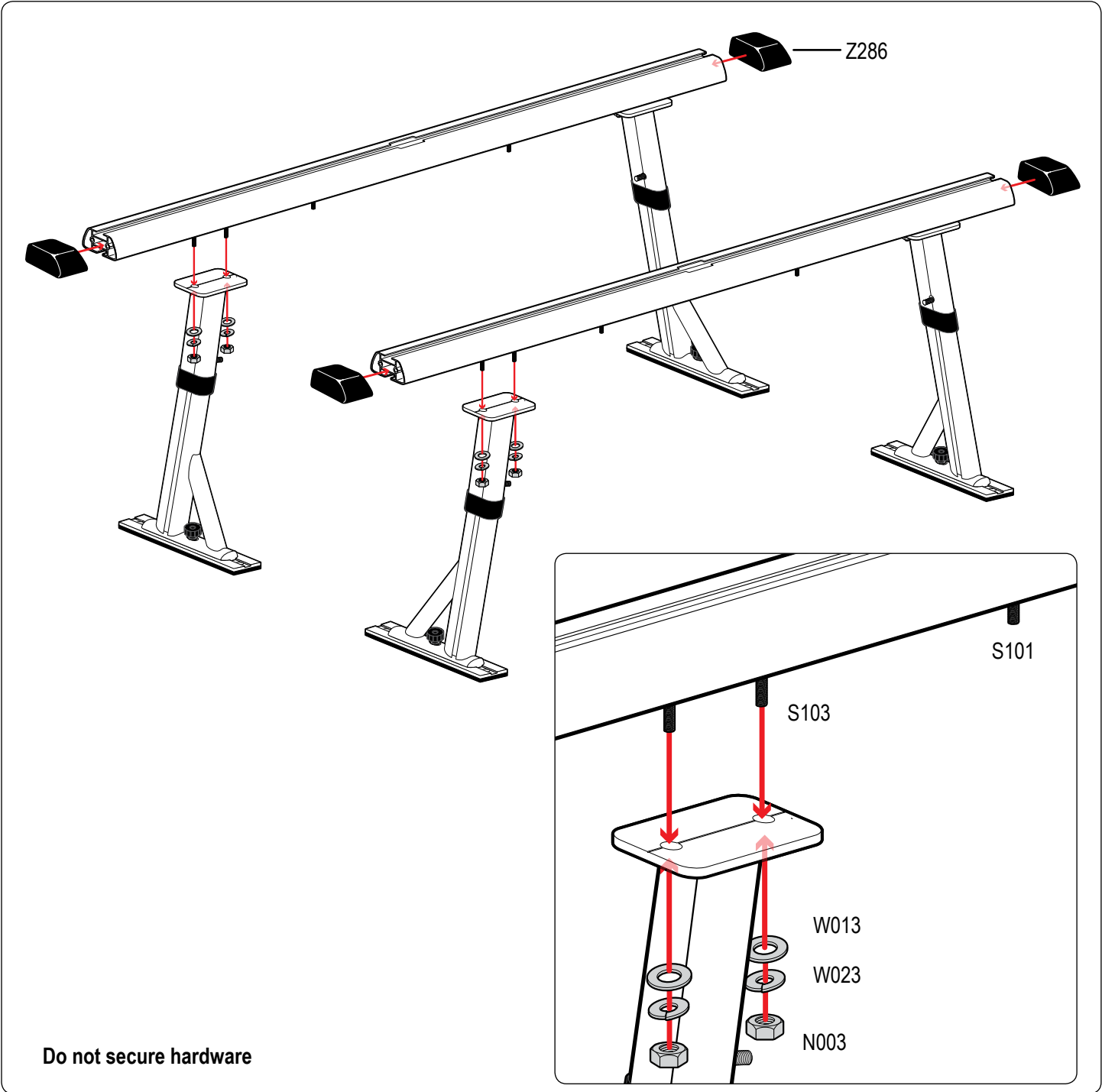
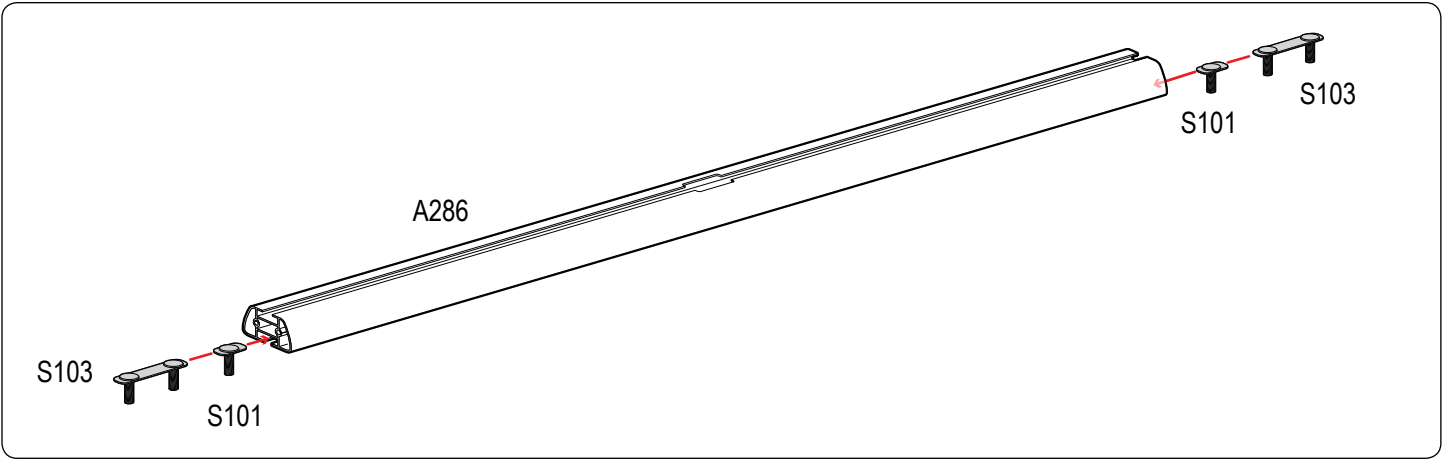


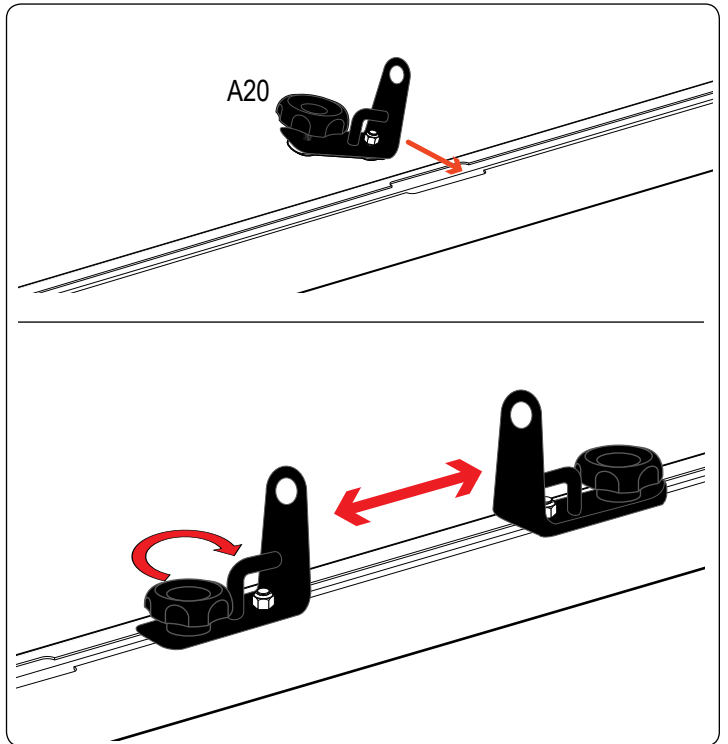
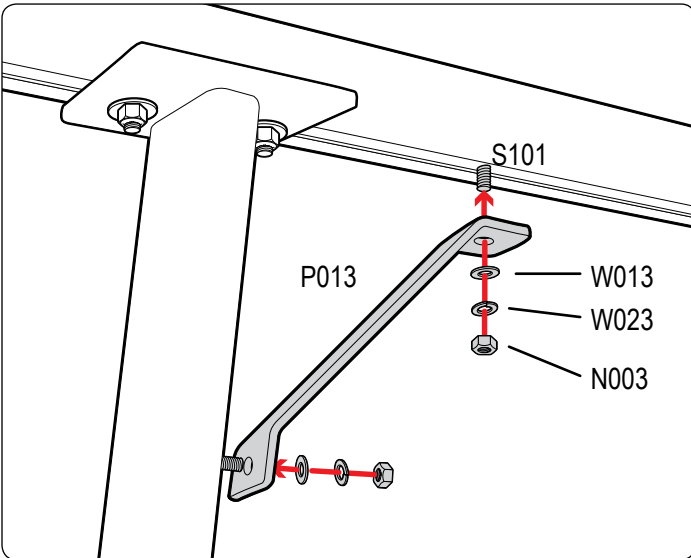
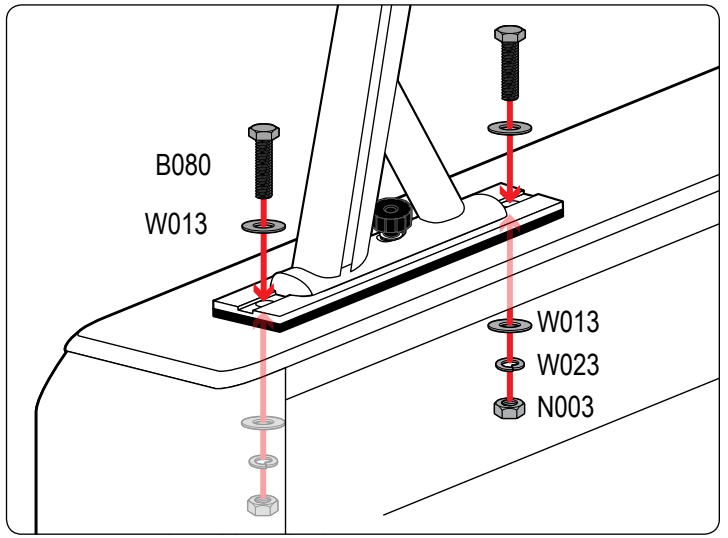
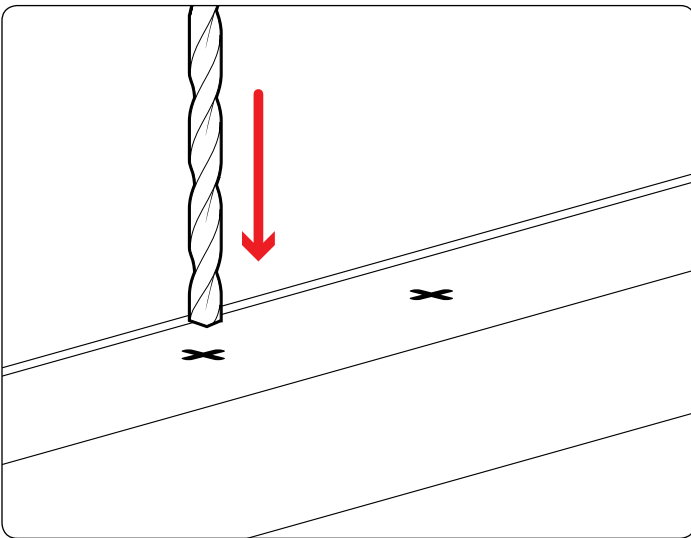
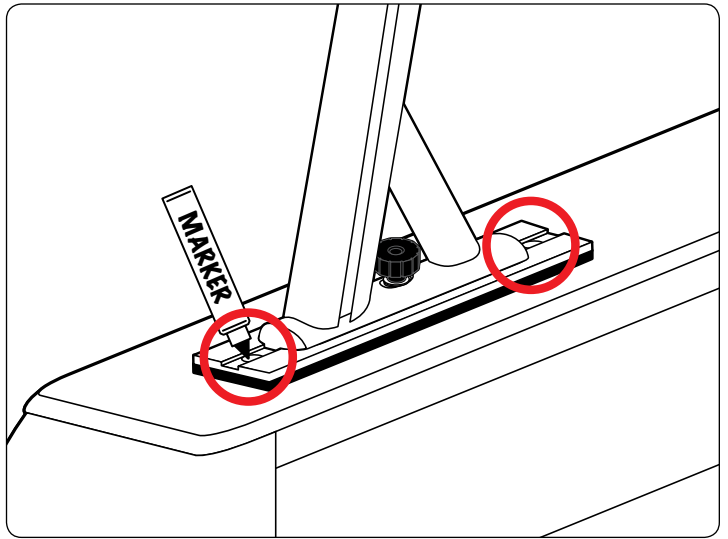
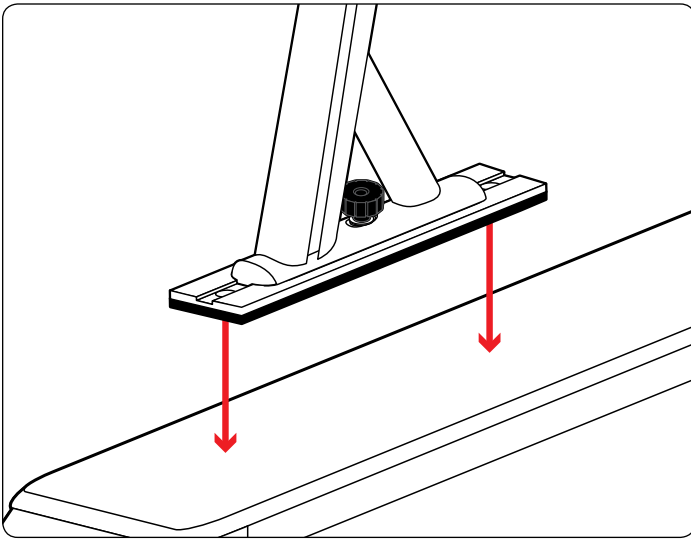
Marker



PART #	DESCRIPTION	QTY	ITEM ITEM NOT DRAWN TO SCALE
S101	3/8" SINGLE SLIDER (LENGTH 1")	4	
S103	3/8" DOUBLE SLIDER 3"	4	
B080	3/8" X 1 1/2" HEX BOLT	8	
B167	5/16" X 1 1/2" COUNTERSUNK BOLT	4	
B177	3/8" X 3/4" COUNTERSUNK BOLT	8	
N003	3/8" NUT	24	
N015	5/16" KNOB SMALL	4	
W008	5/16" X 3/4" WASHER	4	
W013	3/8" X 3/4" WASHER	32	
W023	3/8" LOCK WASHER	24	
P131	ADJUSTABLE" UPRIGHT L	2	
P132	ADJUSTABLE" UPRIGHT R	2	
A416	ADAPTOR PLATE	4	
P013	ANGLED BRACE	4	
A286-72	3" X 1.5" X 72" CROSS BAR	2	
G313	2" X 13" GASKET	4	
Z286	A286 ENDCAPS	4	
A20	ADJUSTABLE LADDER GUIDE	4	







-After adjusting the cross bar and uprights to align correctly and centered tightly secure all hardware.