



Warehouse Use Only

Part #	QUANTITY
--------	----------

D102	1
------	---

P131/P132S	2
------------	---

A416S	4
-------	---

P013S	4
-------	---

A286-65S	2
----------	---

G313	4
------	---

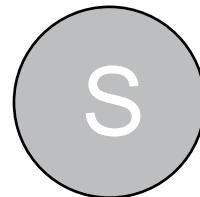
Z286	4
------	---

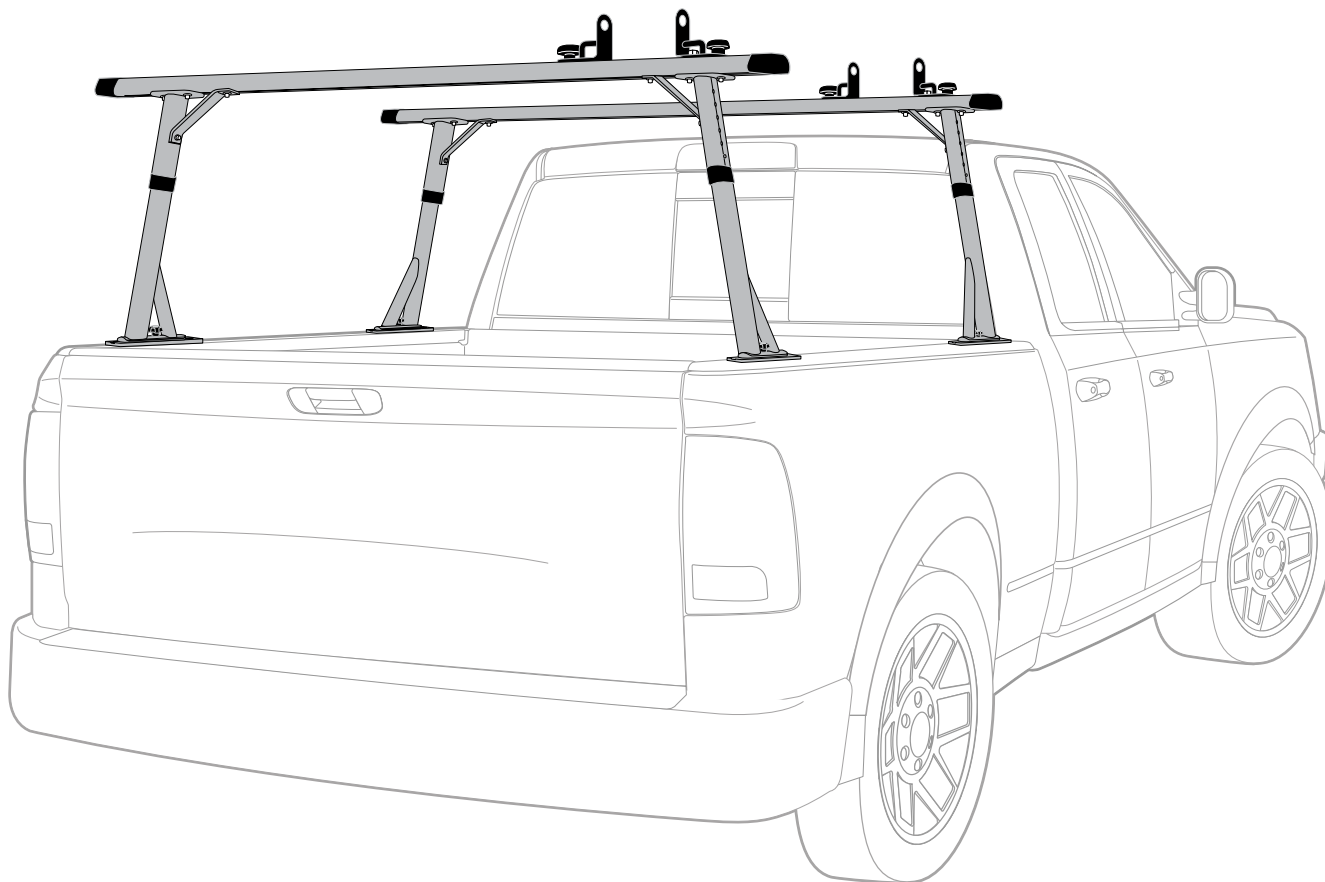
A20	4
-----	---

Part #:	P3051S
---------	--------

Dimensions:	8" X 8" X 66" (Telescopic)
-------------	----------------------------

Weight:	???
---------	-----



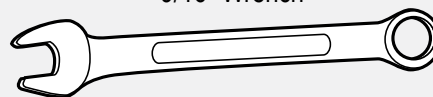


PRODUCT INFO

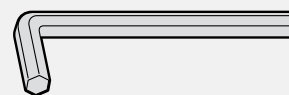
Part #: P3051S
System: P3000
Material: Aluminum
Fitment: Pickup (Drilling Required)
Color: Silver

REQUIRED TOOLS

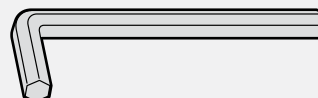
9/16" Wrench



3/16" Allen Key Wrench


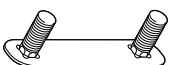

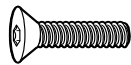
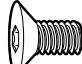
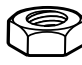




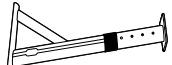
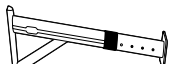
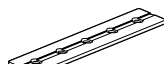


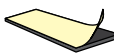




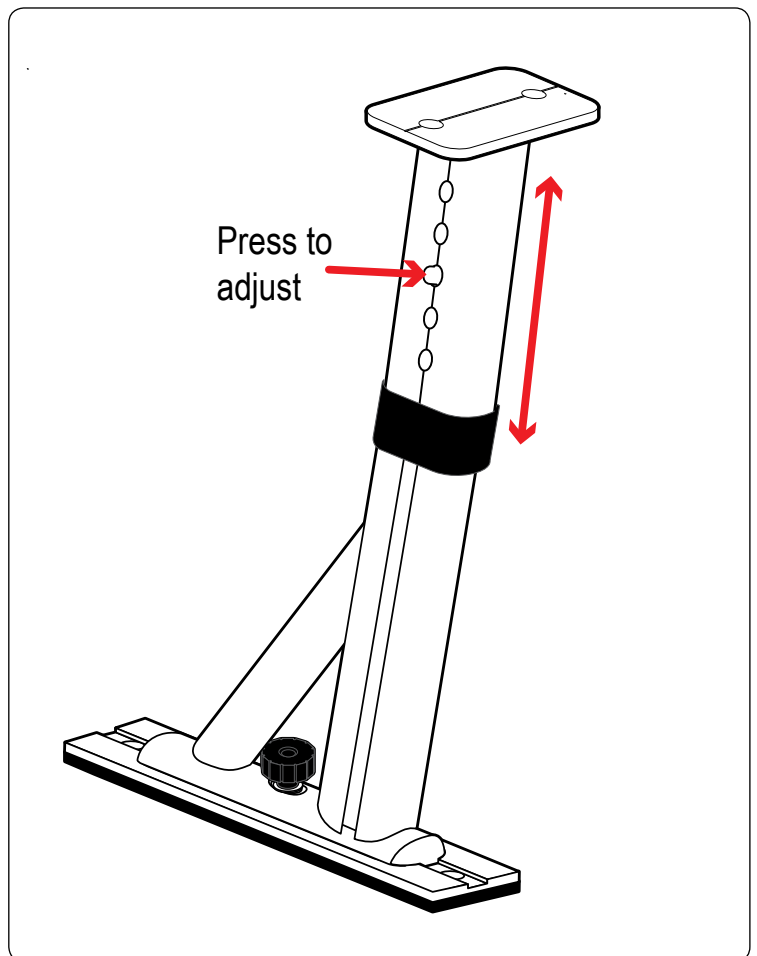
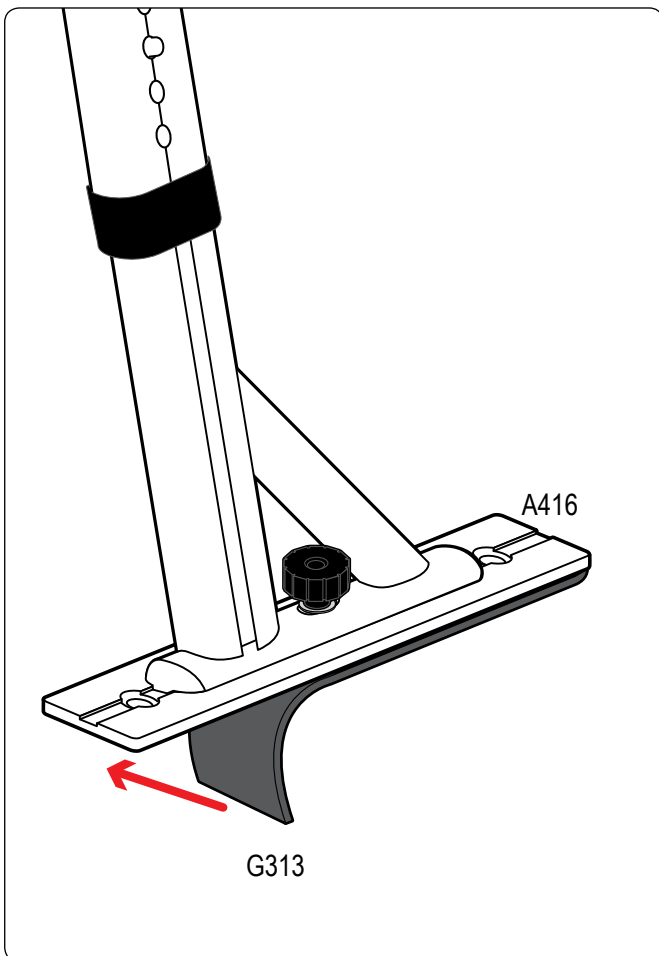
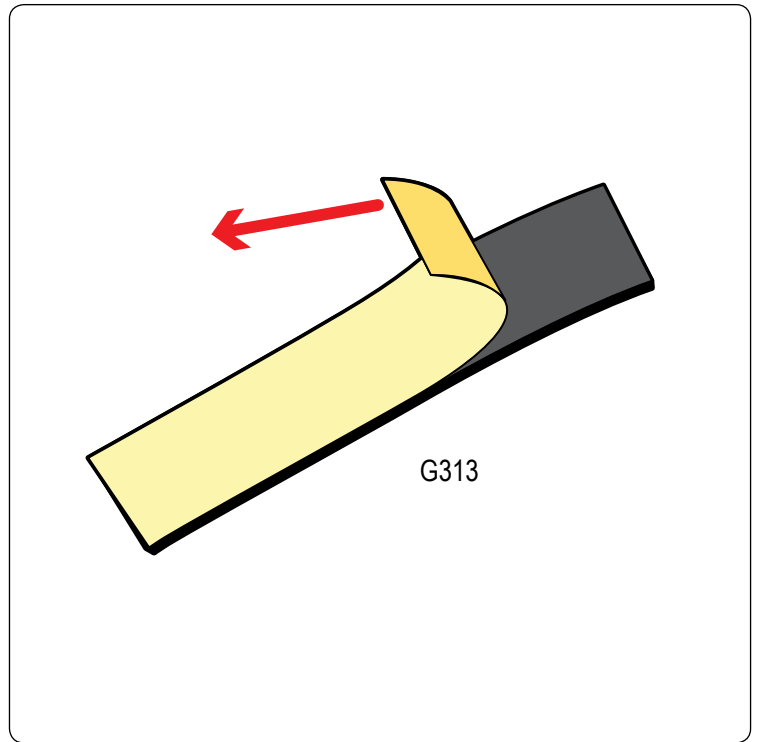
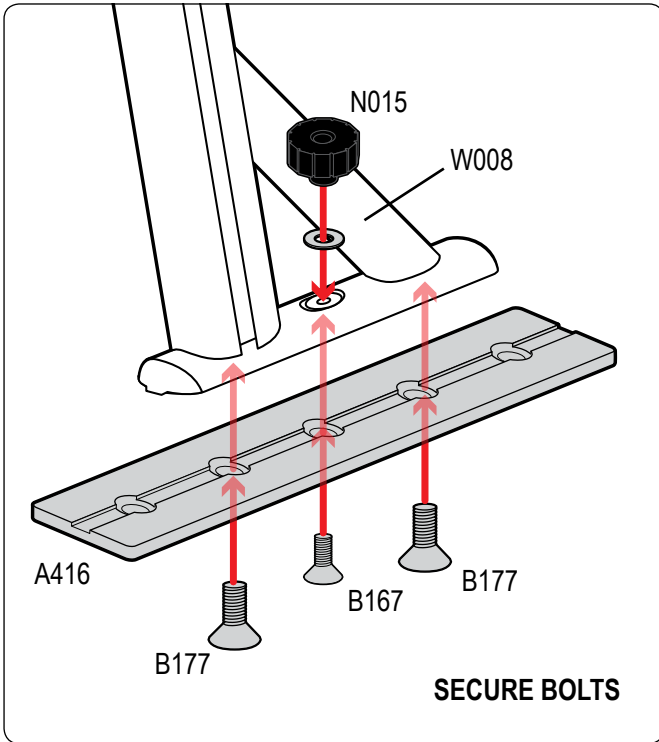
7/32" Allen Key Wrench

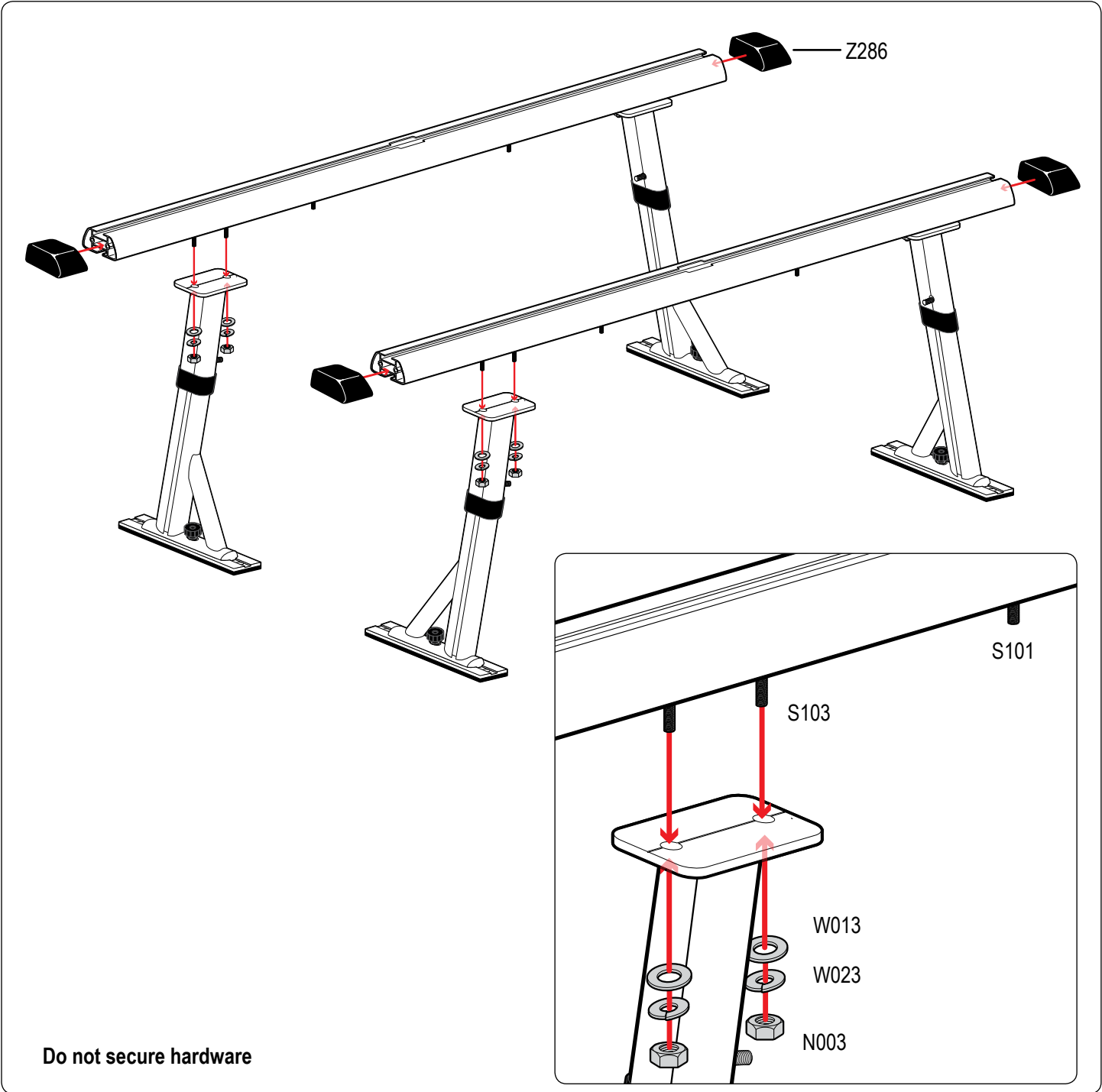
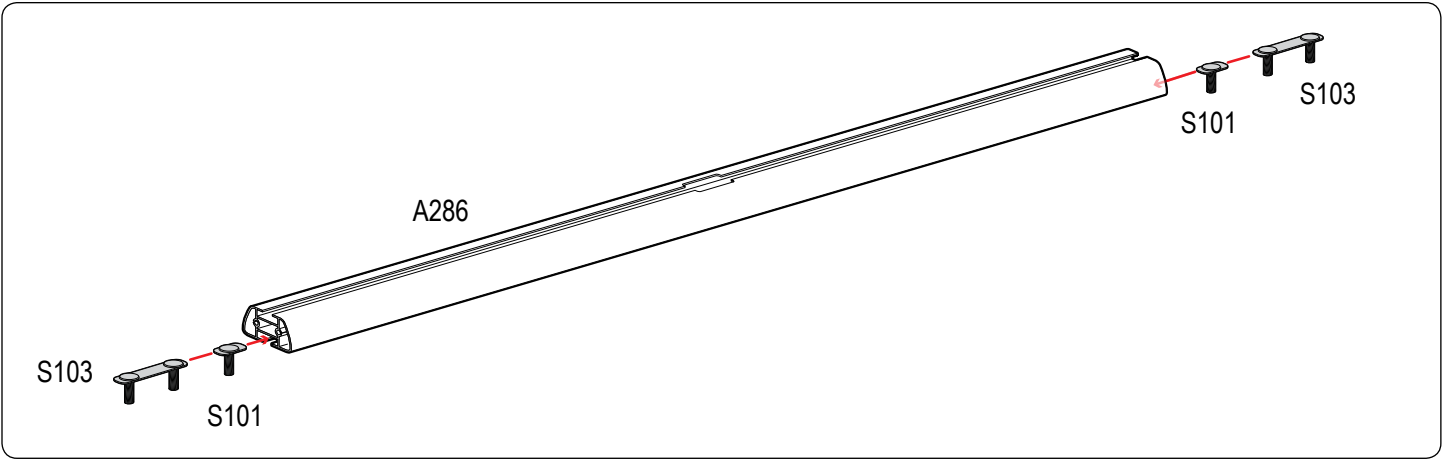


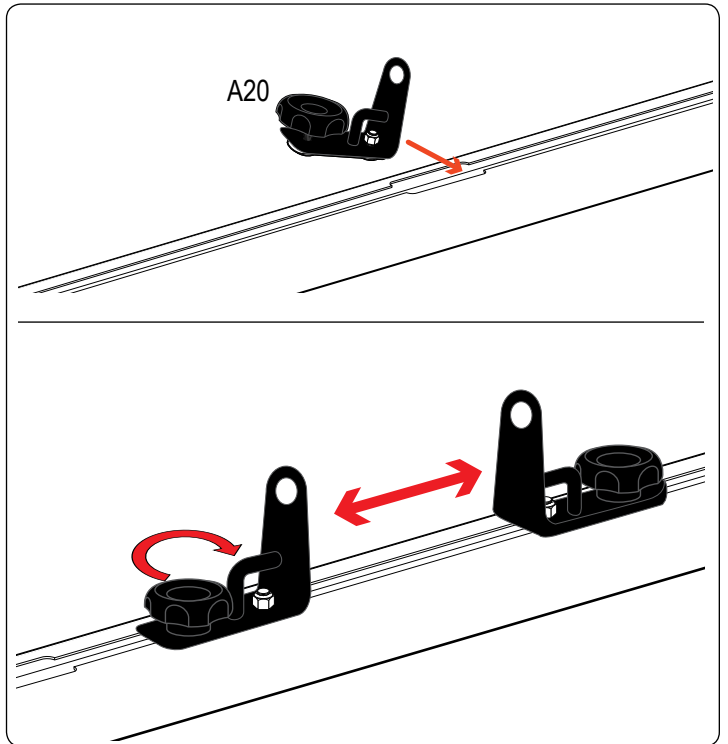
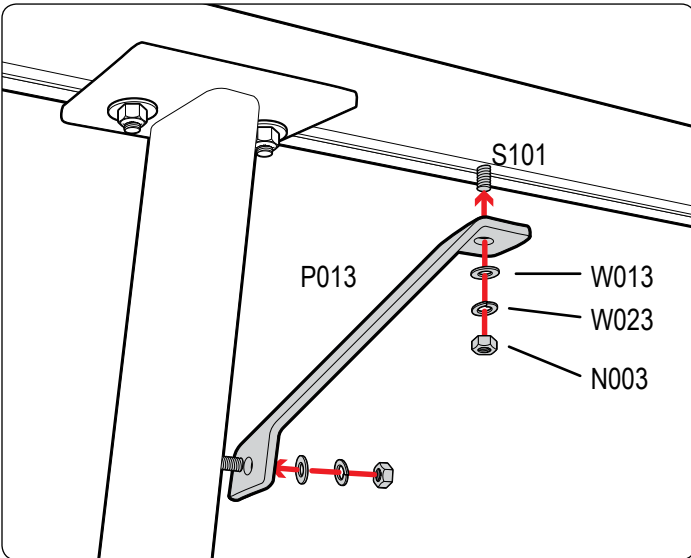
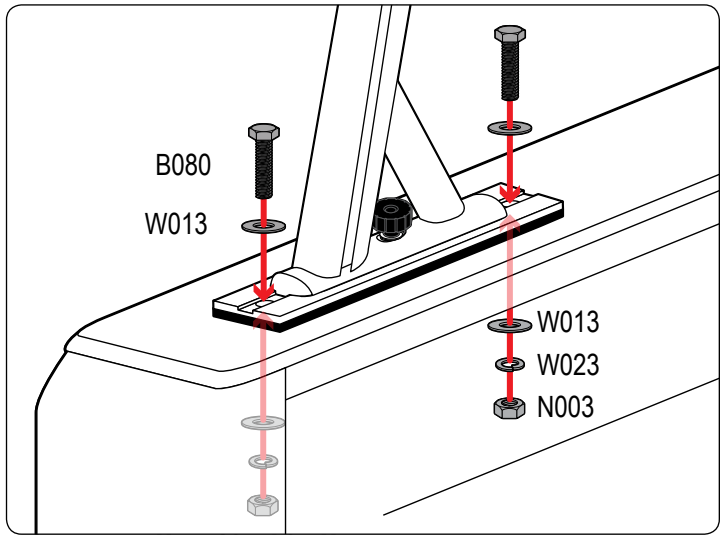
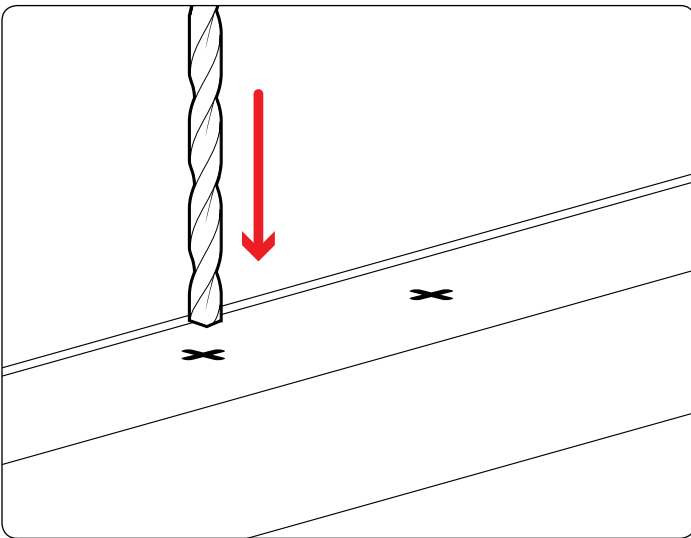
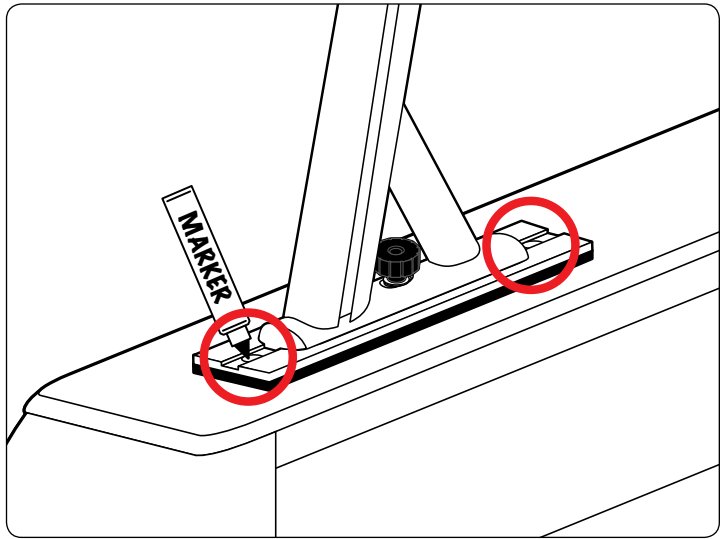
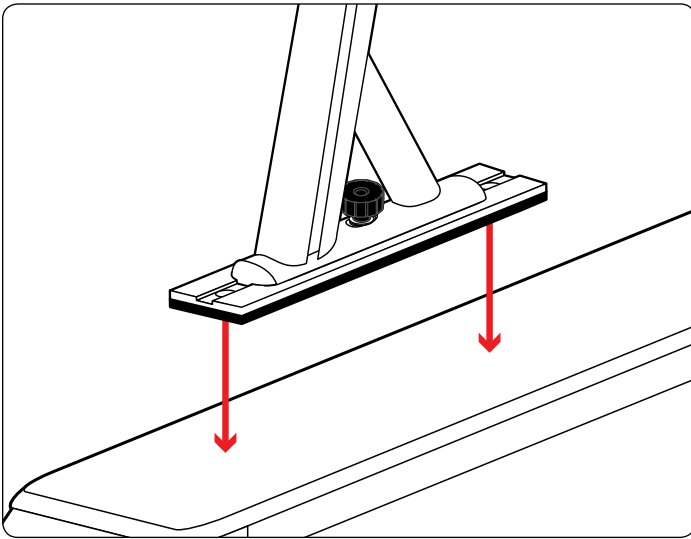
Marker



PART #	DESCRIPTION	QTY	ITEM ITEM NOT DRAWN TO SCALE
S101	3/8" SINGLE SLIDER (LENGTH 1")	4	
S103	3/8" DOUBLE SLIDER 3"	4	
B080	3/8" X 1 1/2" HEX BOLT	8	
B167	5/16" X 1 1/2" COUNTERSUNK BOLT	4	
B177	3/8" X 3/4" COUNTERSUNK BOLT	8	
N003	3/8" NUT	24	
N015	5/16" KNOB SMALL	4	
W008	5/16" X 3/4" WASHER	4	
W013	3/8" X 3/4" WASHER	32	
W023	3/8" LOCK WASHER	24	
P131	ADJUSTABLE" UPRIGHT L	2	
P132	ADJUSTABLE" UPRIGHT R	2	
A416	ADAPTOR PLATE	4	
P013	ANGLED BRACE	4	
A286-65	3" X 1.5" X 65" CROSS BAR	2	
G313	2" X 13" GASKET	4	
Z286	A286 ENDCAPS	4	
A20	ADJUSTABLE LADDER GUIDE	4	







-After adjusting the cross bar and uprights to align correctly and centered tightly secure all hardware.