

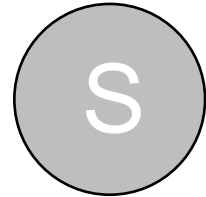


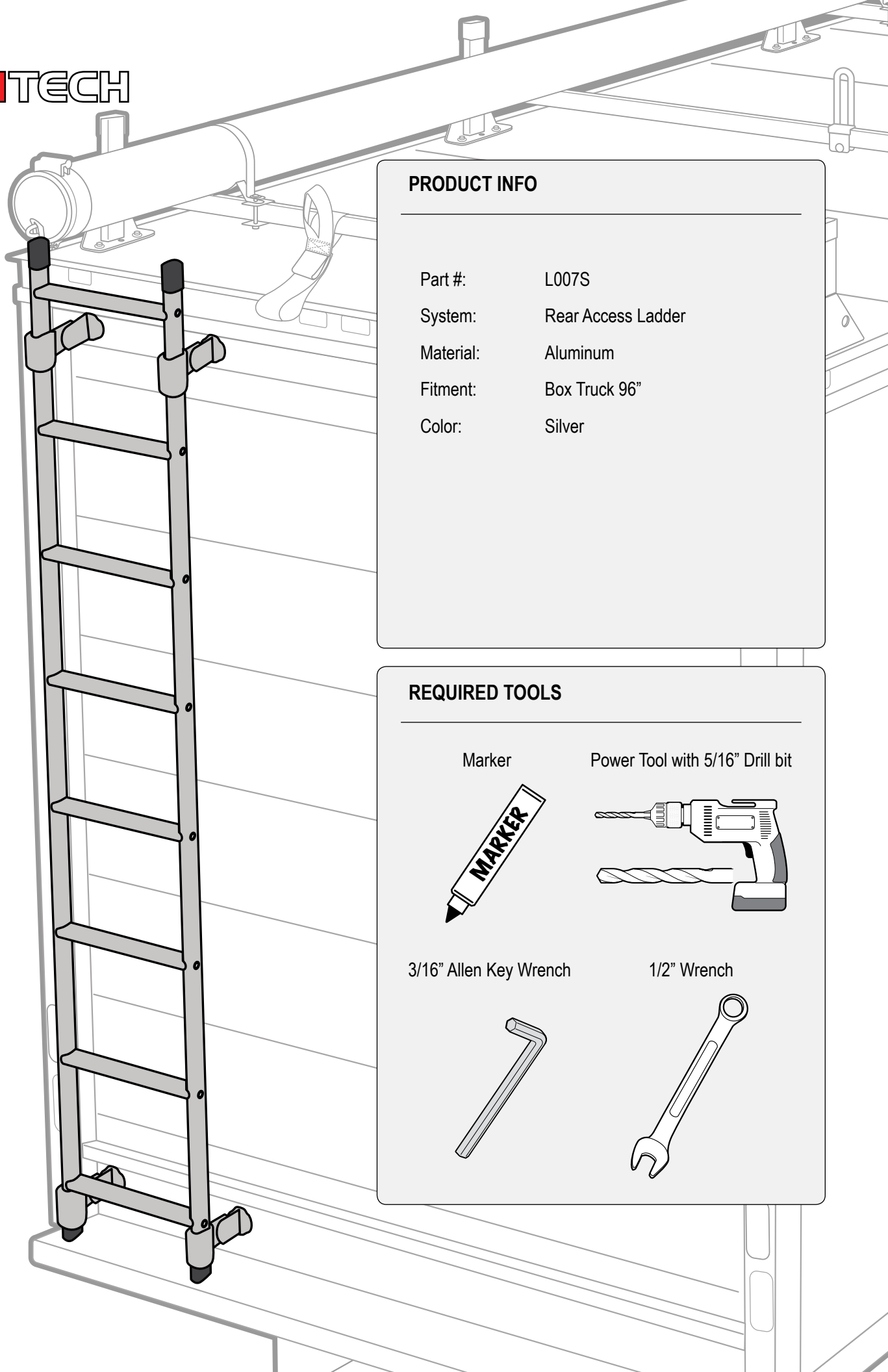
# Warehouse Use Only

---

Part #	QUANTITY
D257	1
D260	1
L100S	1 Box
A279-48S	4
L201S	8
L323	2

Part #:	L007S
Dimensions:	4" X 4" X 49" (Telescopic)
Weight:	???





## PRODUCT INFO

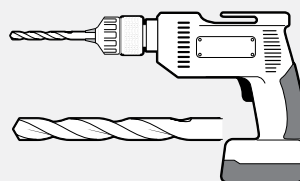
Part #: L007S  
System: Rear Access Ladder  
Material: Aluminum  
Fitment: Box Truck 96"  
Color: Silver

## REQUIRED TOOLS

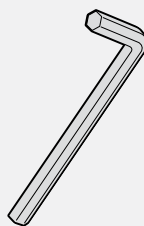
Marker



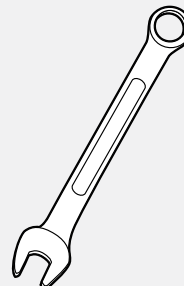
Power Tool with 5/16" Drill bit

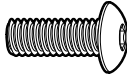
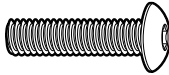
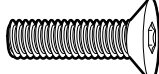
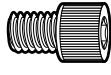







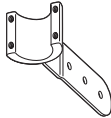

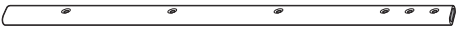
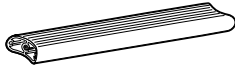
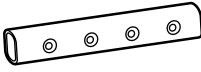


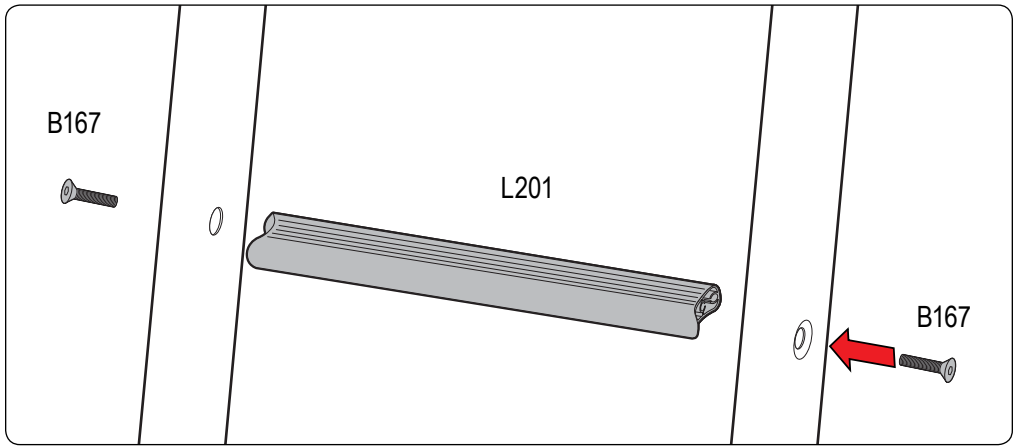
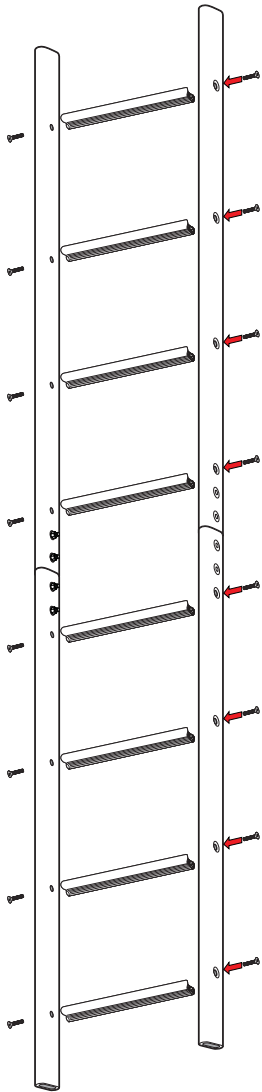
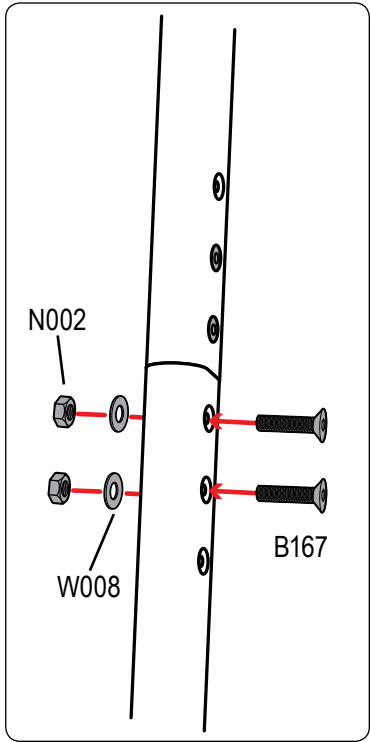
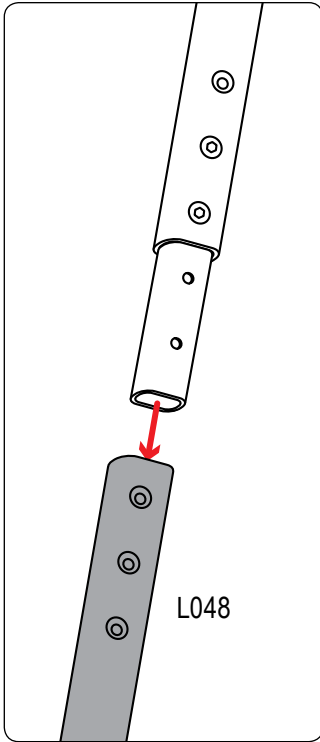
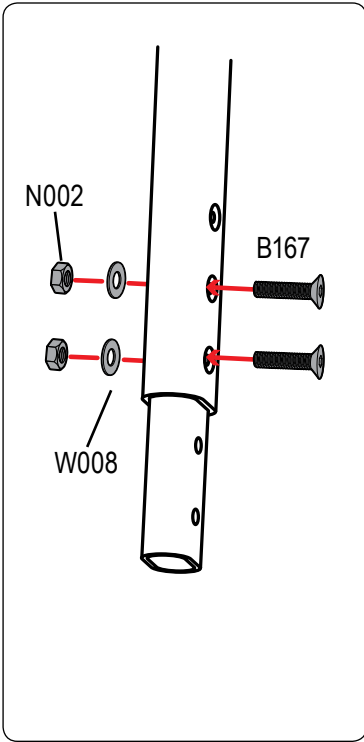
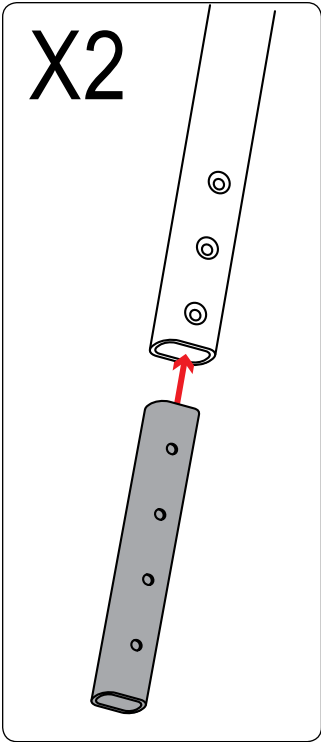
3/16" Allen Key Wrench



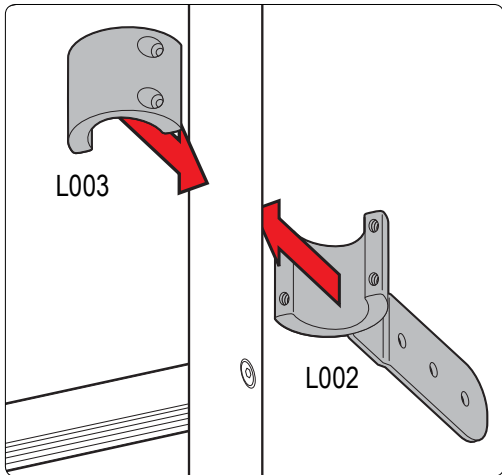
1/2" Wrench



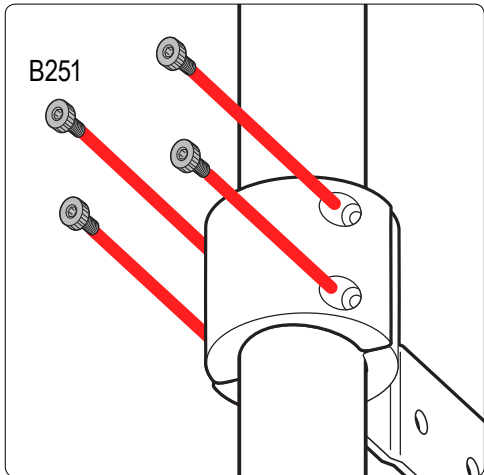
PART #	DESCRIPTION	QTY	ITEM ITEM NOT DRAWN TO SCALE
SS-B117	5/16" X 1" BUTTON HEAD ALLEN BOLT	8	
SS-B119	5/16" 1 1/2" BUTTON HEAD ALLEN BOLT	8	
SS-B167	5/16" 1 1/2" ALLEN COUNTERSUNK BOLT	24	
SS-B251	1/4" X 1/2" CYLINDER HEAD ALLEN BOLT	16	
SS-N002	5/16" NUT	24	
SS-W008	5/16" X 3/4" WASHER	40	
SS-W022	5/16" LOCK WASHER	24	
Z279	ENDCAP	4	
GL001	GASKET	4	
M02	INTERIOR PLATE	4	
L001	LADDER ADAPTOR 1	4	
L002	LADDER ADAPTOR 2	4	
L003	LADDER ADAPTOR 3	4	
A279-48	LADDER SIDE RAIL 48" (STRAIGHT)	4	
L201	LADDER RUNG	8	
L323	CONNECTOR TUBE	2	



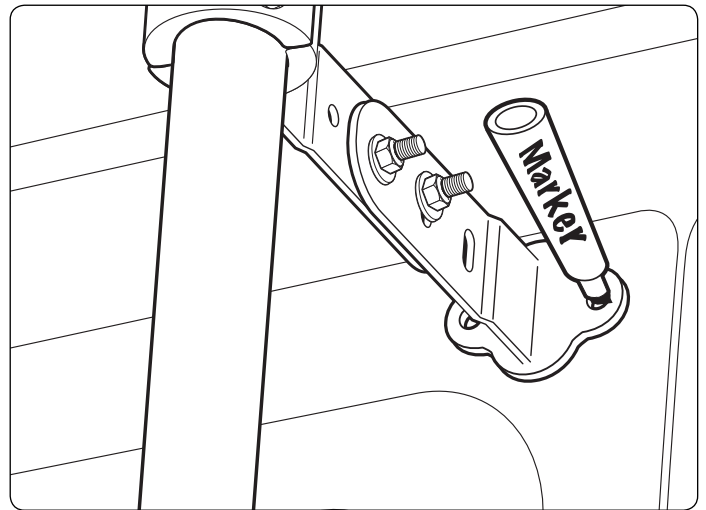
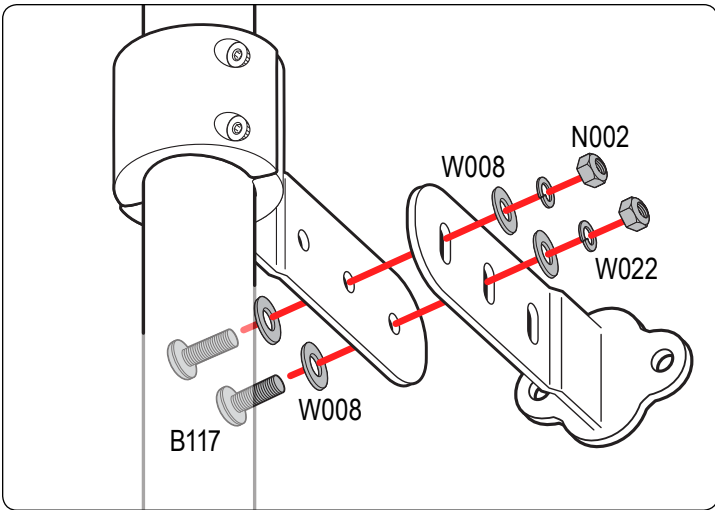
**Do not completely tighten bolts so adjustments can be made later on.**



**Repeat all steps 4 times for the 4 ladder mounts.**



**Do not completely tighten bolts so adjustments can be made later on.**



Depending on your curve of your vehicle you can use hole combinations to create different angles. Have 2 bolts per mount

Position the ladder mounts onto your vehicle's door.

