

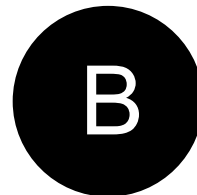


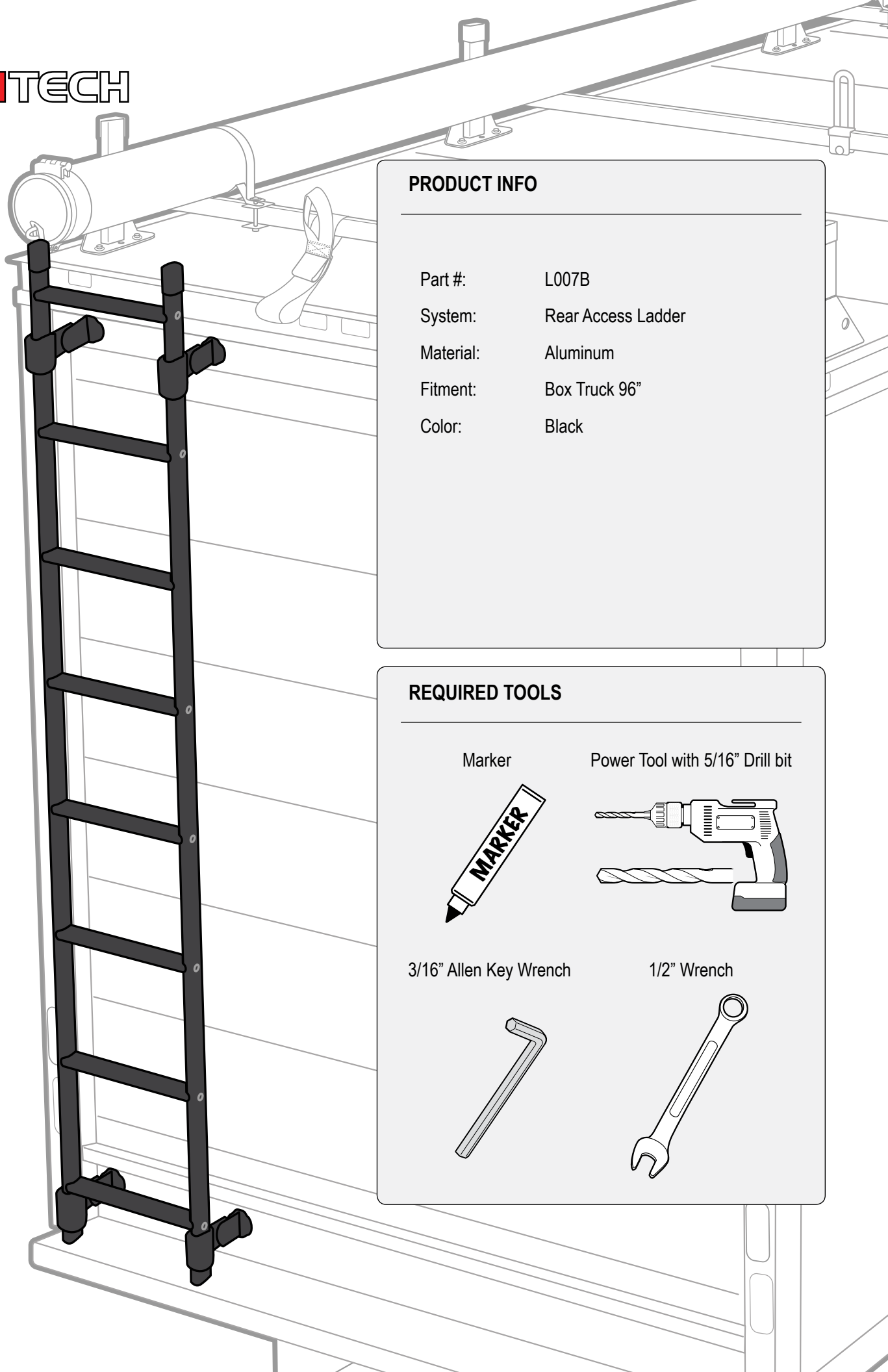
# Warehouse Use Only

---

Part #	QUANTITY
D257	1
D260	1
L100B	1 Box
A279-48B	4
L201B	8
L323	2

Part #:	L007B
Dimensions:	4" X 4" X 49" (Telescopic)
Weight:	???





## PRODUCT INFO

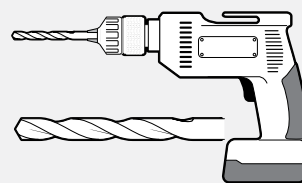
Part #: L007B  
System: Rear Access Ladder  
Material: Aluminum  
Fitment: Box Truck 96"  
Color: Black

## REQUIRED TOOLS

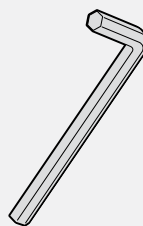
Marker



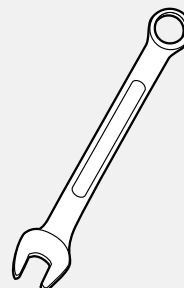
Power Tool with 5/16" Drill bit

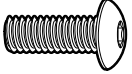
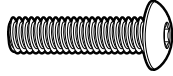
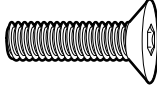







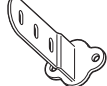
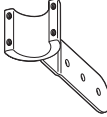

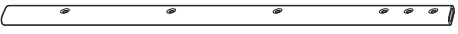

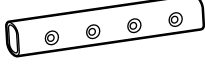


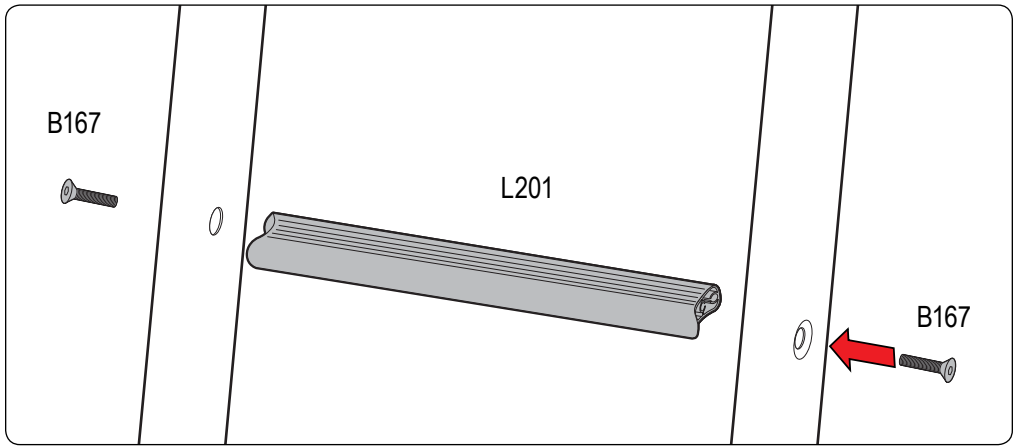
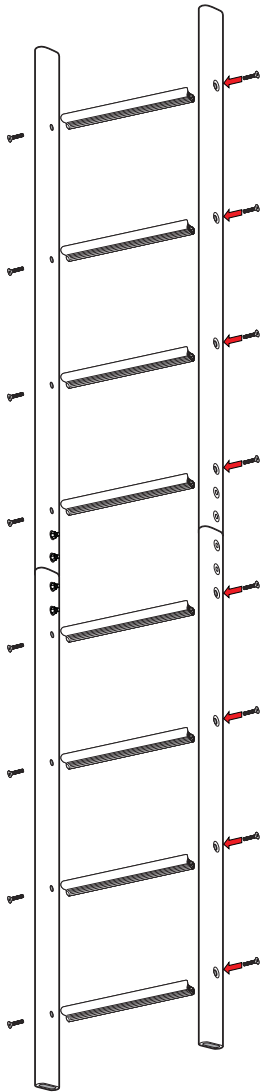
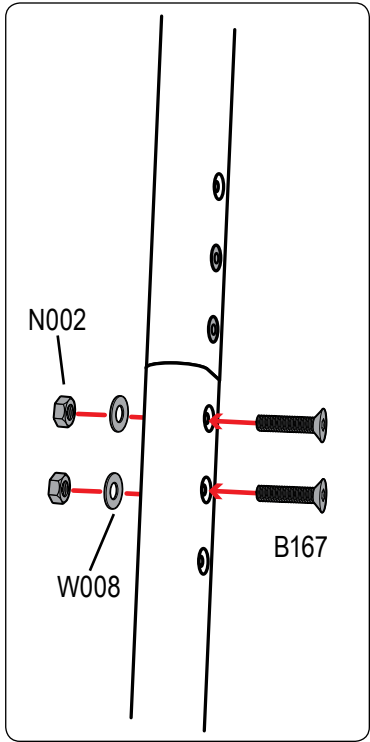
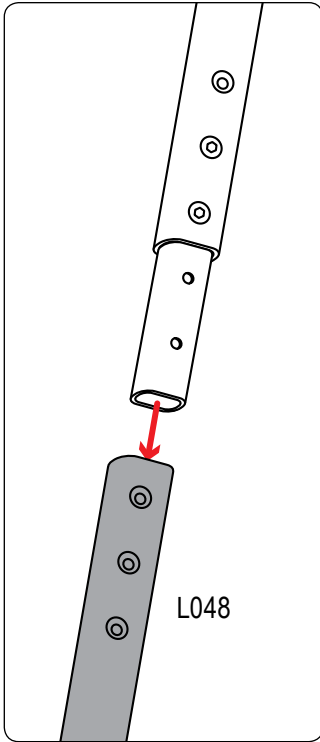
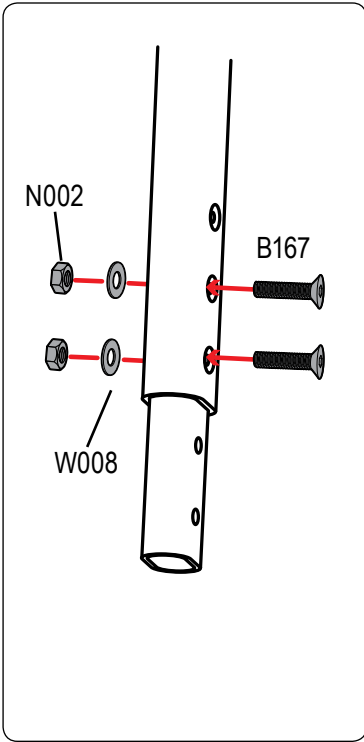
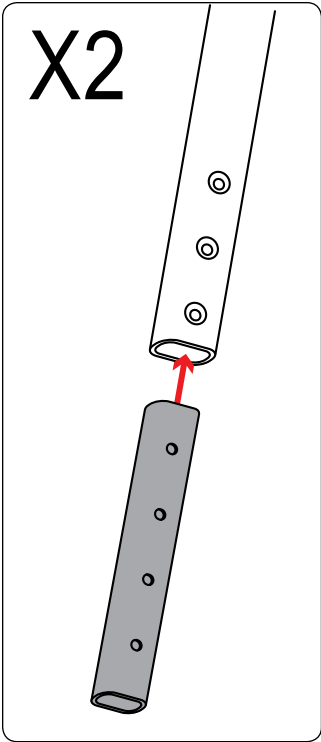
3/16" Allen Key Wrench



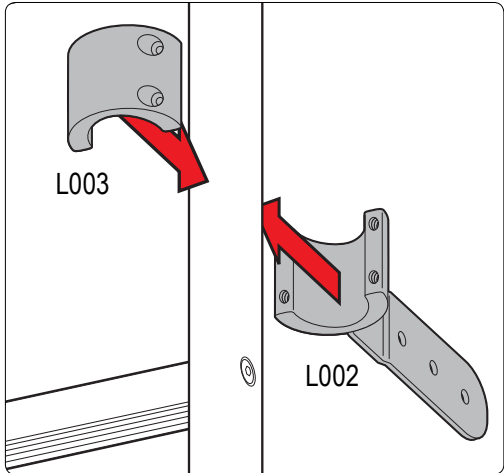
1/2" Wrench



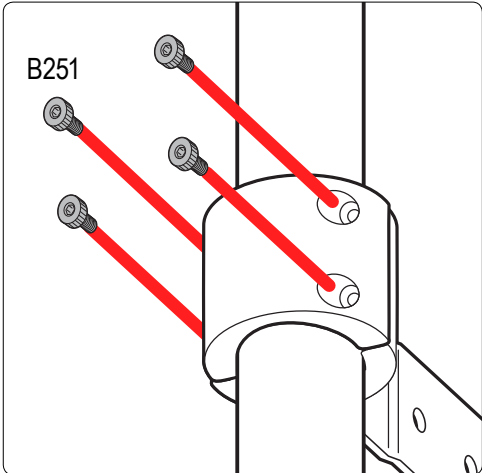
PART #	DESCRIPTION	QTY	ITEM ITEM NOT DRAWN TO SCALE
SS-B117	5/16" X 1" BUTTON HEAD ALLEN BOLT	8	
SS-B119	5/16" 1 1/2" BUTTON HEAD ALLEN BOLT	8	
SS-B167	5/16" 1 1/2" ALLEN COUNTERSUNK BOLT	24	
SS-B251	1/4" X 1/2" CYLINDER HEAD ALLEN BOLT	16	
SS-N002	5/16" NUT	24	
SS-W008	5/16" X 3/4" WASHER	40	
SS-W022	5/16" LOCK WASHER	24	
Z279	ENDCAP	4	
GL001	GASKET	4	
M02	INTERIOR PLATE	4	
L001	LADDER ADAPTOR 1	4	
L002	LADDER ADAPTOR 2	4	
L003	LADDER ADAPTOR 3	4	
A279-48	LADDER SIDE RAIL 48" (STRAIGHT)	4	
L201	LADDER RUNG	8	
L323	CONNECTOR TUBE	2	



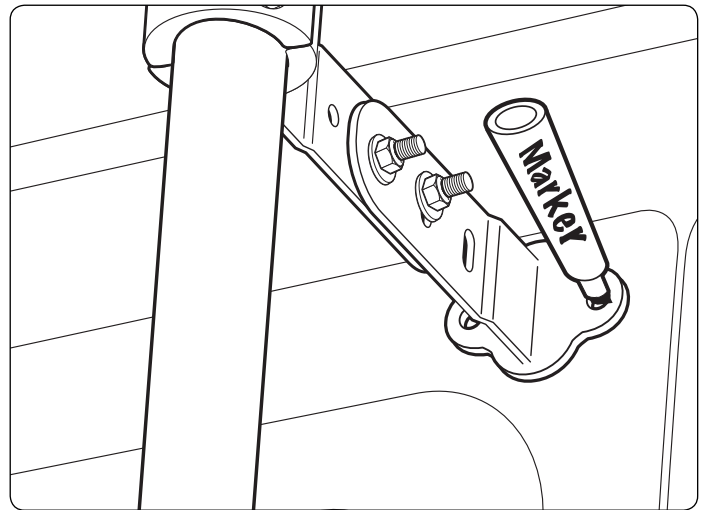
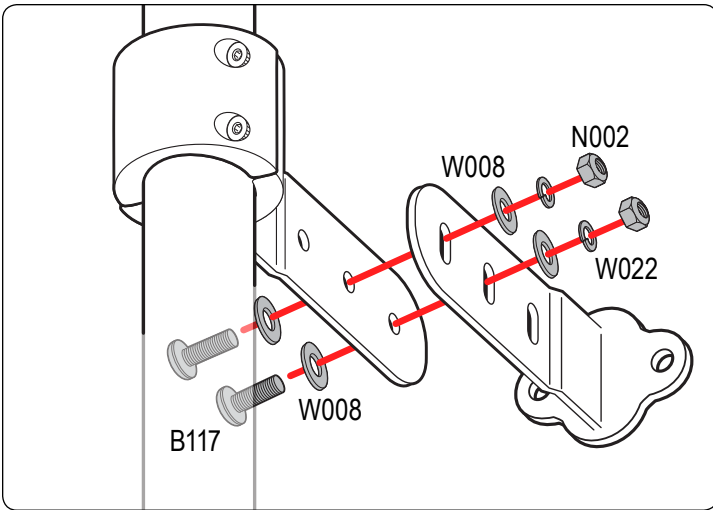
Do not completely tighten bolts so adjustments can be made later on.



Repeat all steps 4 times for the 4 ladder mounts.



Do not completely tighten bolts so adjustments can be made later on.



Depending on your curve of your vehicle you can use hole combinations to create different angles. Have 2 bolts per mount

Position the ladder mounts onto your vehicle's door.

