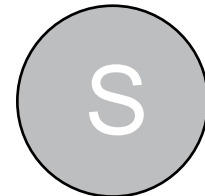


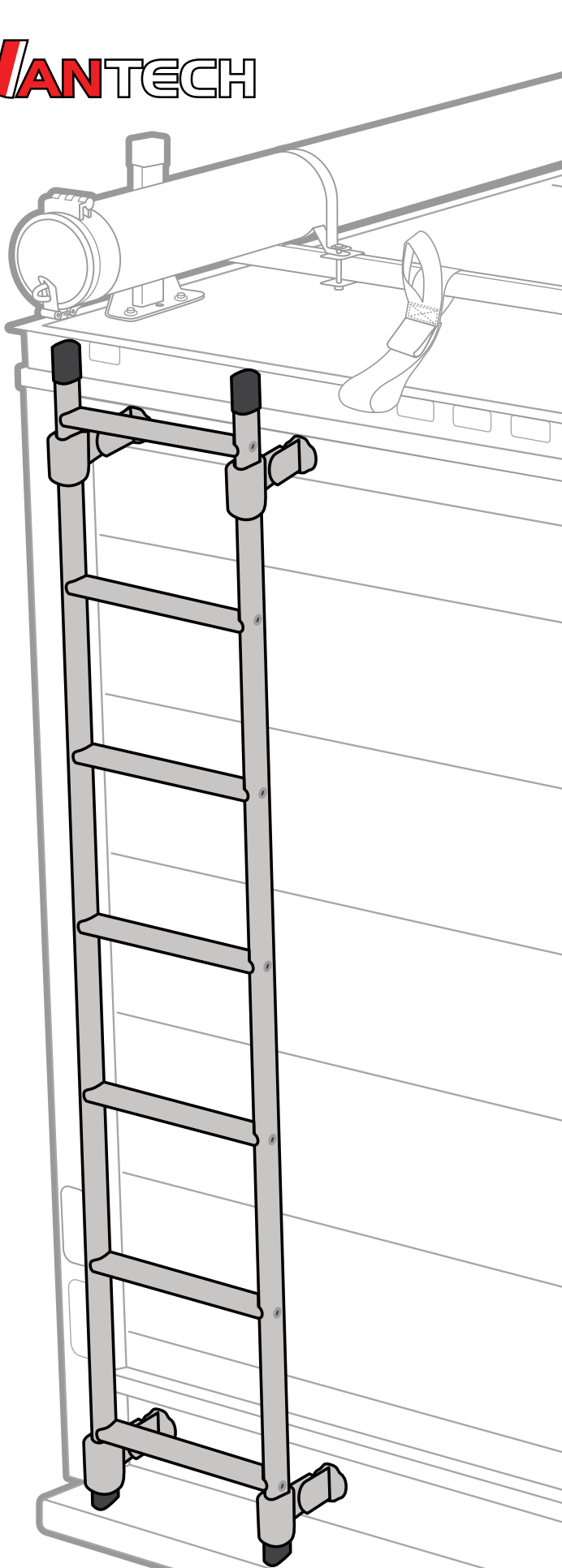


Warehouse Use Only

| Part # | QUANTITY |
|----------|----------|
| D256 | 1 |
| D260 | 1 |
| L100S | 1 Box |
| A279-36S | 2 |
| A279-48S | 2 |
| L201S | 7 |
| L323 | 2 |

| | |
|-------------|----------------------------|
| Part #: | L006S |
| Dimensions: | 4" X 4" X 49" (Telescopic) |
| Weight: | ??? |





PRODUCT INFO

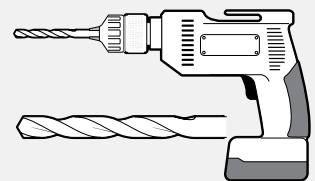
Part #: L006S
System: Rear Access Ladder
Material: Aluminum
Fitment: Box Truck 84"
Color: Silver

REQUIRED TOOLS

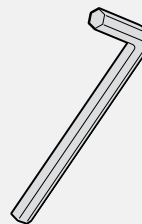
Marker



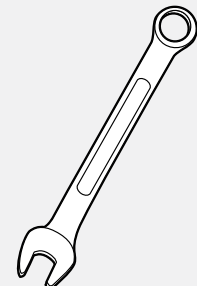
Power Tool with 5/16" Drill bit

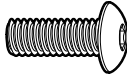
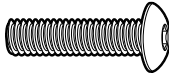
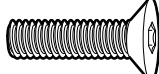
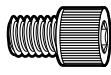







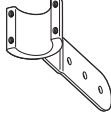




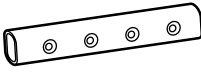


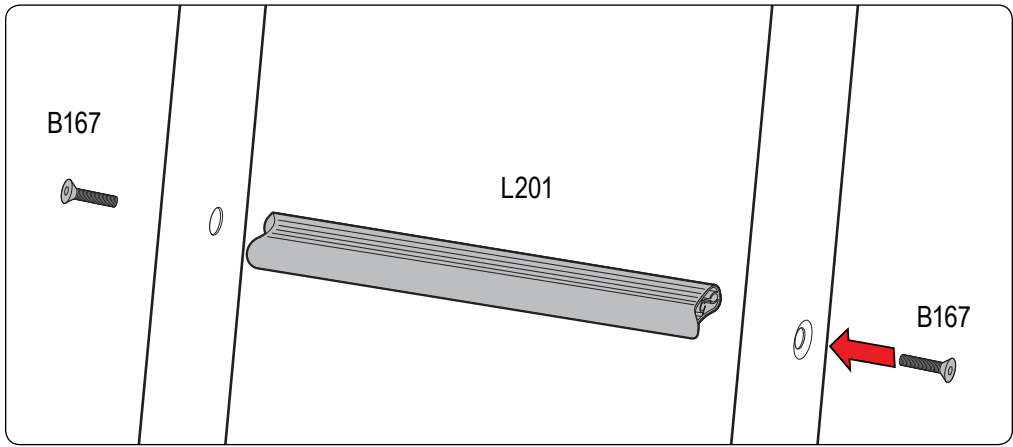
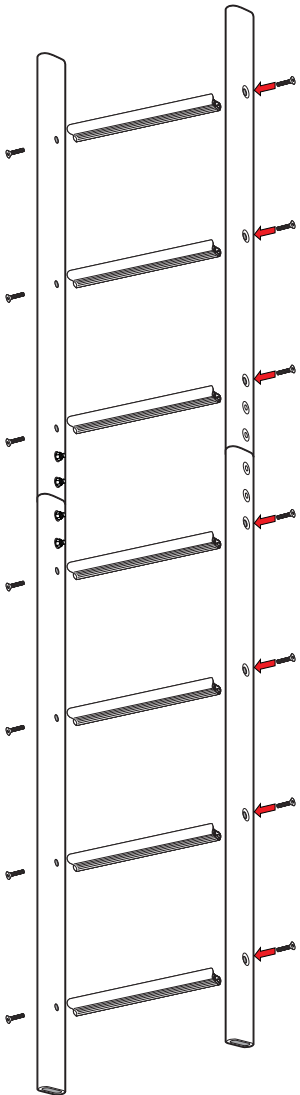
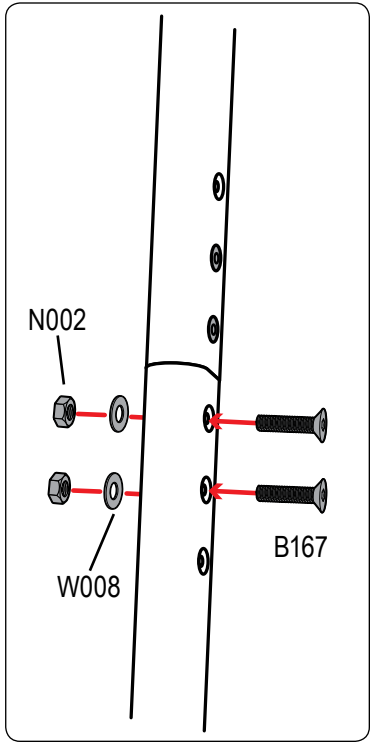
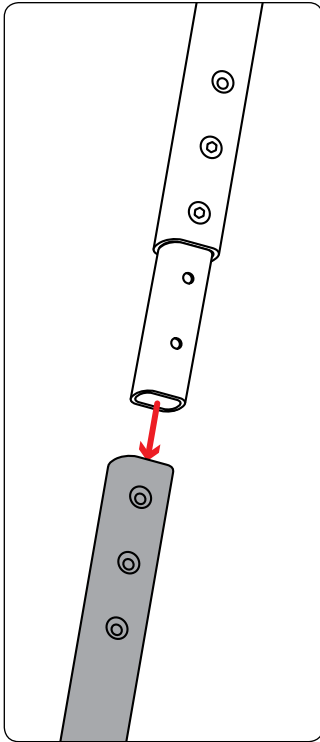
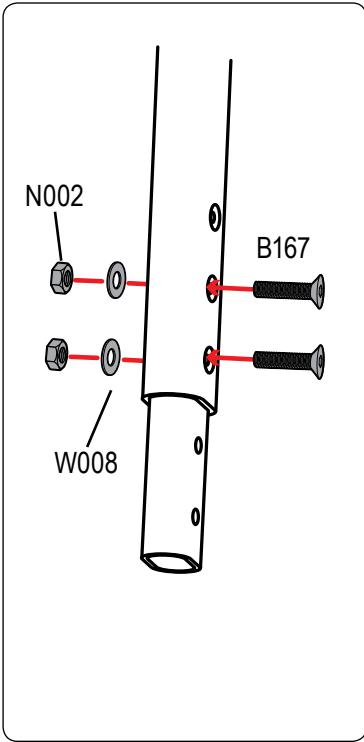
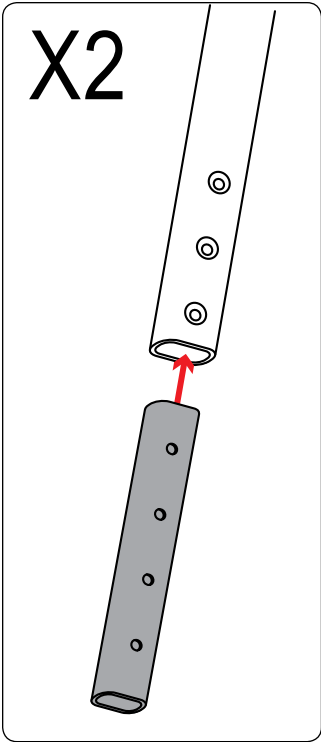
3/16" Allen Key Wrench



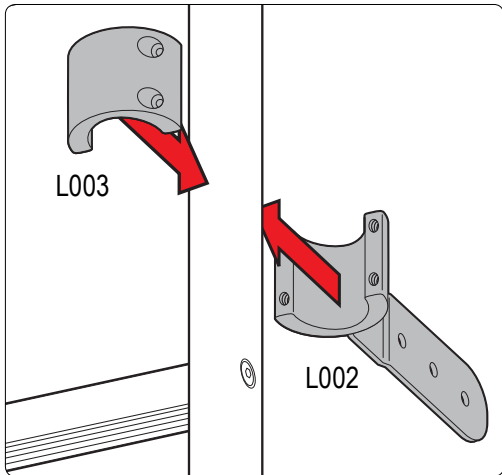
1/2" Wrench



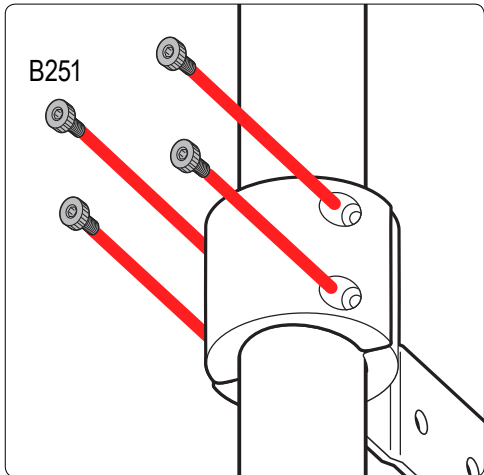
| PART # | DESCRIPTION | QTY | ITEM ITEM NOT DRAWN TO SCALE |
|---------|--------------------------------------|-----|---|
| SS-B117 | 5/16" X 1" BUTTON HEAD ALLEN BOLT | 8 |  |
| SS-B119 | 5/16" 1 1/2" BUTTON HEAD ALLEN BOLT | 8 |  |
| SS-B167 | 5/16" 1 1/2" ALLEN COUNTERSUNK BOLT | 22 |  |
| SS-B251 | 1/4" X 1/2" CYLINDER HEAD ALLEN BOLT | 16 |  |
| SS-N002 | 5/16" NUT | 24 |  |
| SS-W008 | 5/16" X 3/4" WASHER | 40 |  |
| SS-W022 | 5/16" LOCK WASHER | 24 |  |
| Z279 | ENDCAP | 4 |  |
| GL001 | GASKET | 4 |  |
| M02 | INTERIOR PLATE | 4 |  |
| L001 | LADDER ADAPTOR 1 | 4 |  |
| L002 | LADDER ADAPTOR 2 | 4 |  |
| L003 | LADDER ADAPTOR 3 | 4 |  |
| A279-36 | LADDER SIDE RAIL 36" (STRAIGHT) | 2 |  |
| A279-48 | LADDER SIDE RAIL 48" (STRAIGHT) | 2 |  |
| L201 | LADDER RUNG | 7 |  |
| L323 | CONNECTOR TUBE | 2 |  |



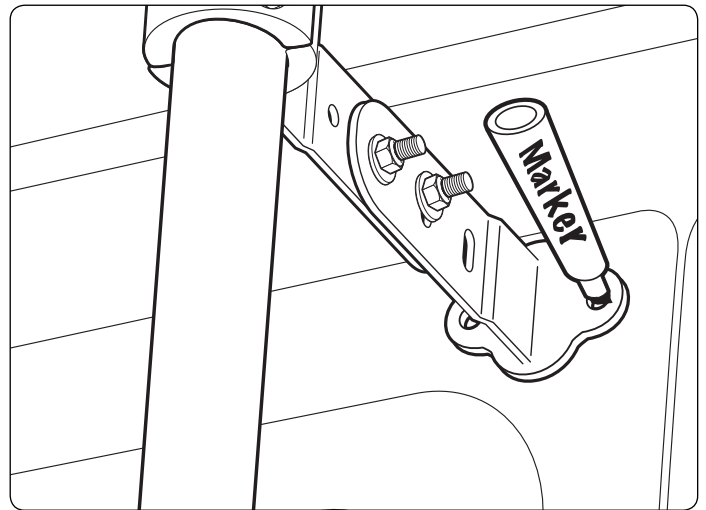
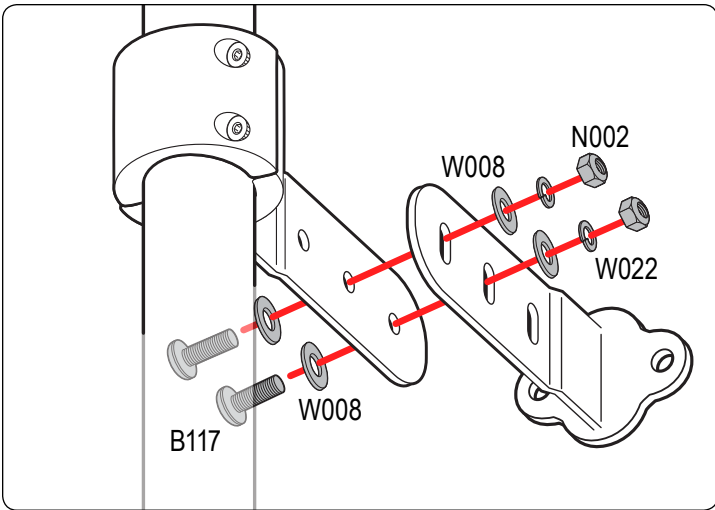
Do not completely tighten bolts so adjustments can be made later on.



Repeat all steps 4 times for the 4 ladder mounts.

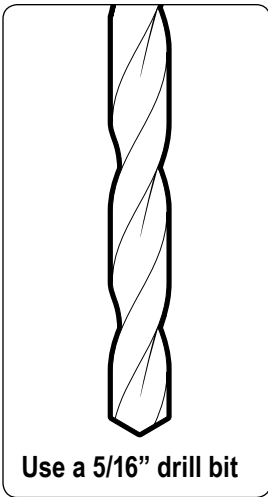


Do not completely tighten bolts so adjustments can be made later on.



Depending on your curve of your vehicle you can use hole combinations to create different angles. Have 2 bolts per mount

Position the ladder mounts onto your vehicle's door.



Use a 5/16" drill bit

