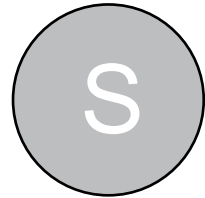


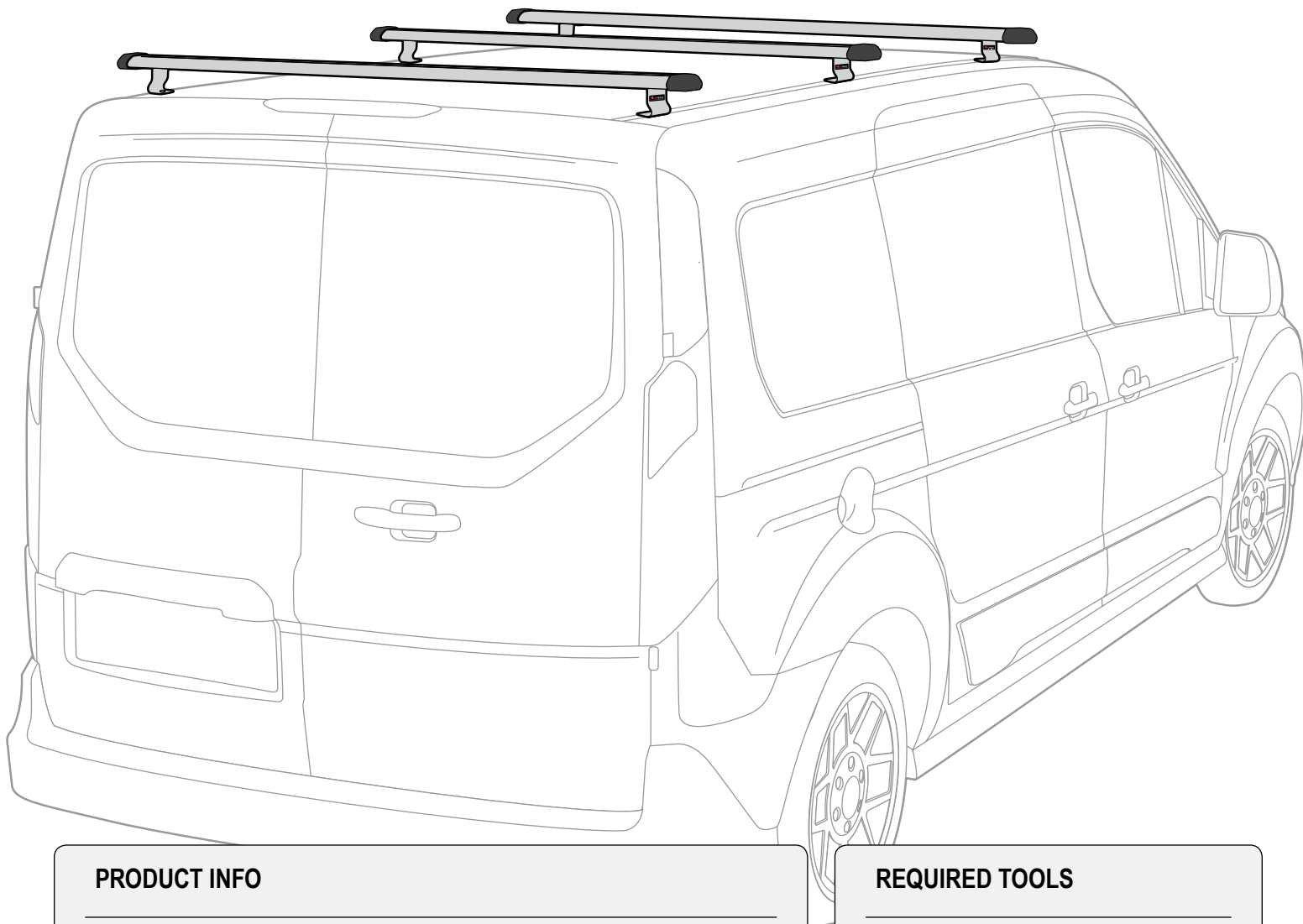


Warehouse Use Only

Part #	QUANTITY
D066	1
D116	1
G203	6
M11-2B	2
M11B	4
A285-50S	3
BG550	3
Z285	6

Part #:	J1203S
Dimensions:	6" X 6" X 51" (Telescopic)
Weight:	???



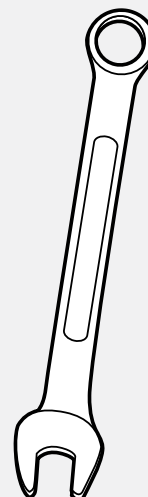





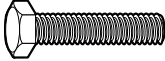








PRODUCT INFO

Part #: J1203S
System: J2000
Material: Aluminum
Fitment: Ford Transit Connect 2014-On
Color: Silver

REQUIRED TOOLS

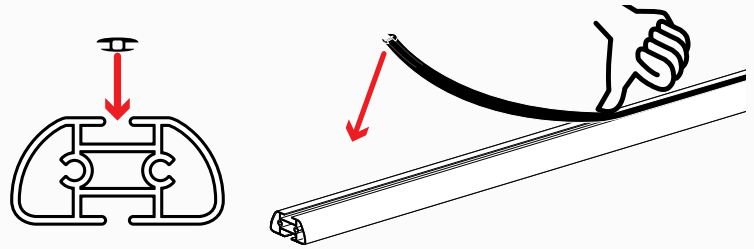
1/2" Wrench



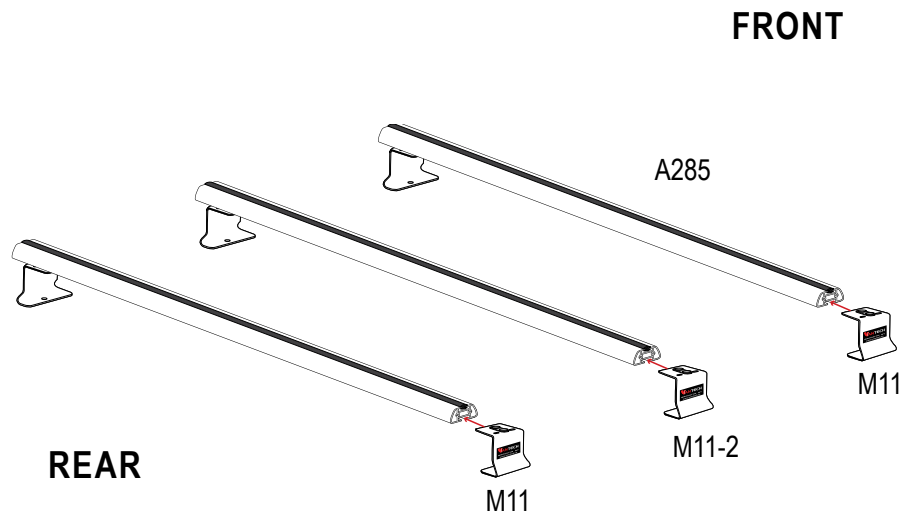
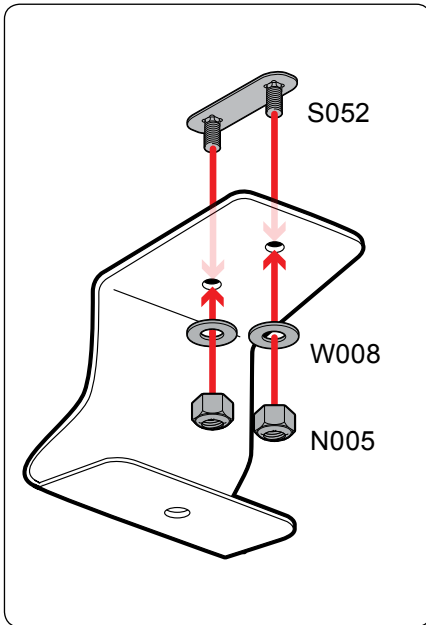
PART #	DESCRIPTION	QTY	ITEM ITEM NOT DRAWN TO SCALE
S052	DOUBLE SLIDER 2" BOLT TO BOLT	6	
W008	5/16" X 3/4" WASHER	24	
W022	5/16" LOCK WASHER	6	
B068	5/16" X 1 3/4" HEX BOLT	6	
N002	5/16" NUT	6	
N005	5/16" NYLON NUT	12	
M11-2	MOUNTING BASE (LOW)	2	
M11	MOUNTING BASE (STANDARD)	4	
A285-50	2.25" X 1" X 50" CROSS BAR	3	
G203	RUBBER SEAT 2.75"	6	
BG550	RUBBER BAR GUARD 50"	3	
Z285	ENDCAP	6	

RUBBER BAR GUARDS

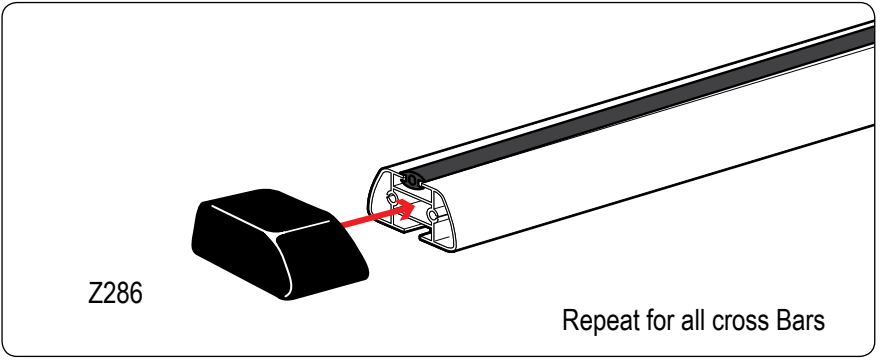
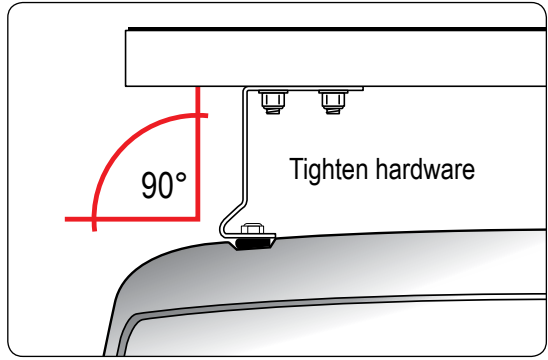
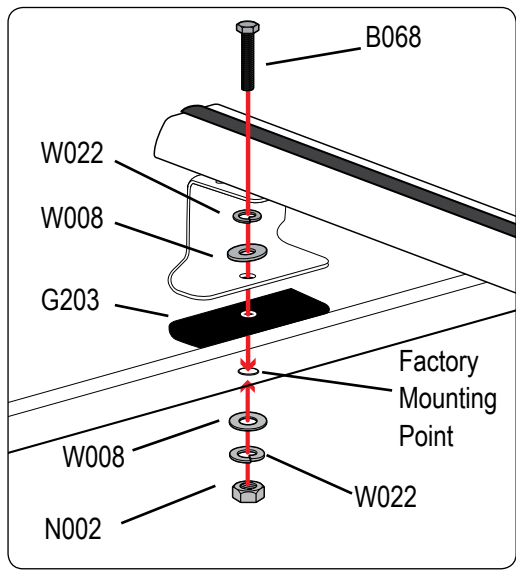
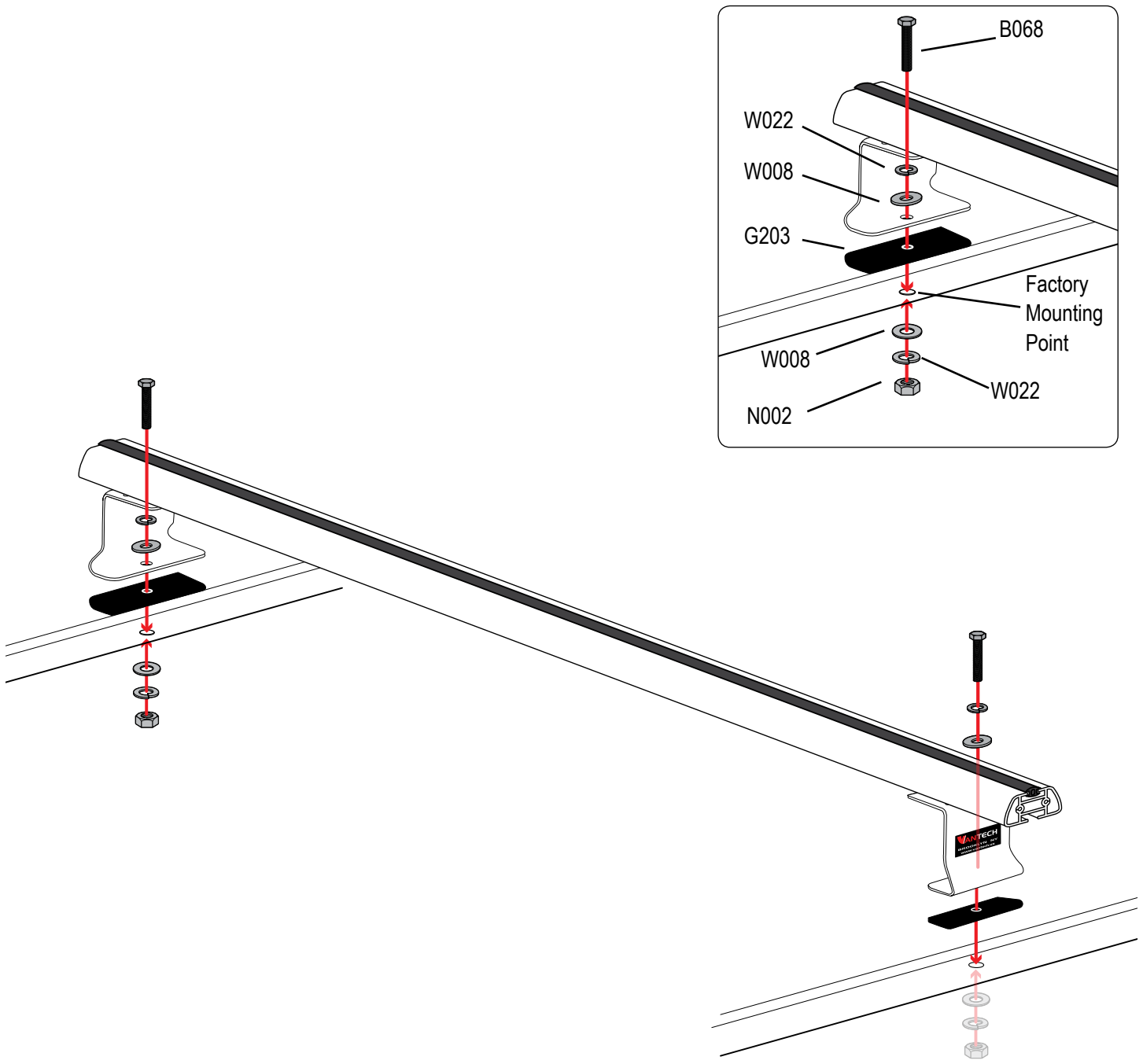
- Press the rubber bar guard into the channels of cross bars



SYSTEM PLACEMENT MUST BE PLACED IN THIS ORDER



Do not tighten hardware



On our website you can discover more about commercial van equipment.