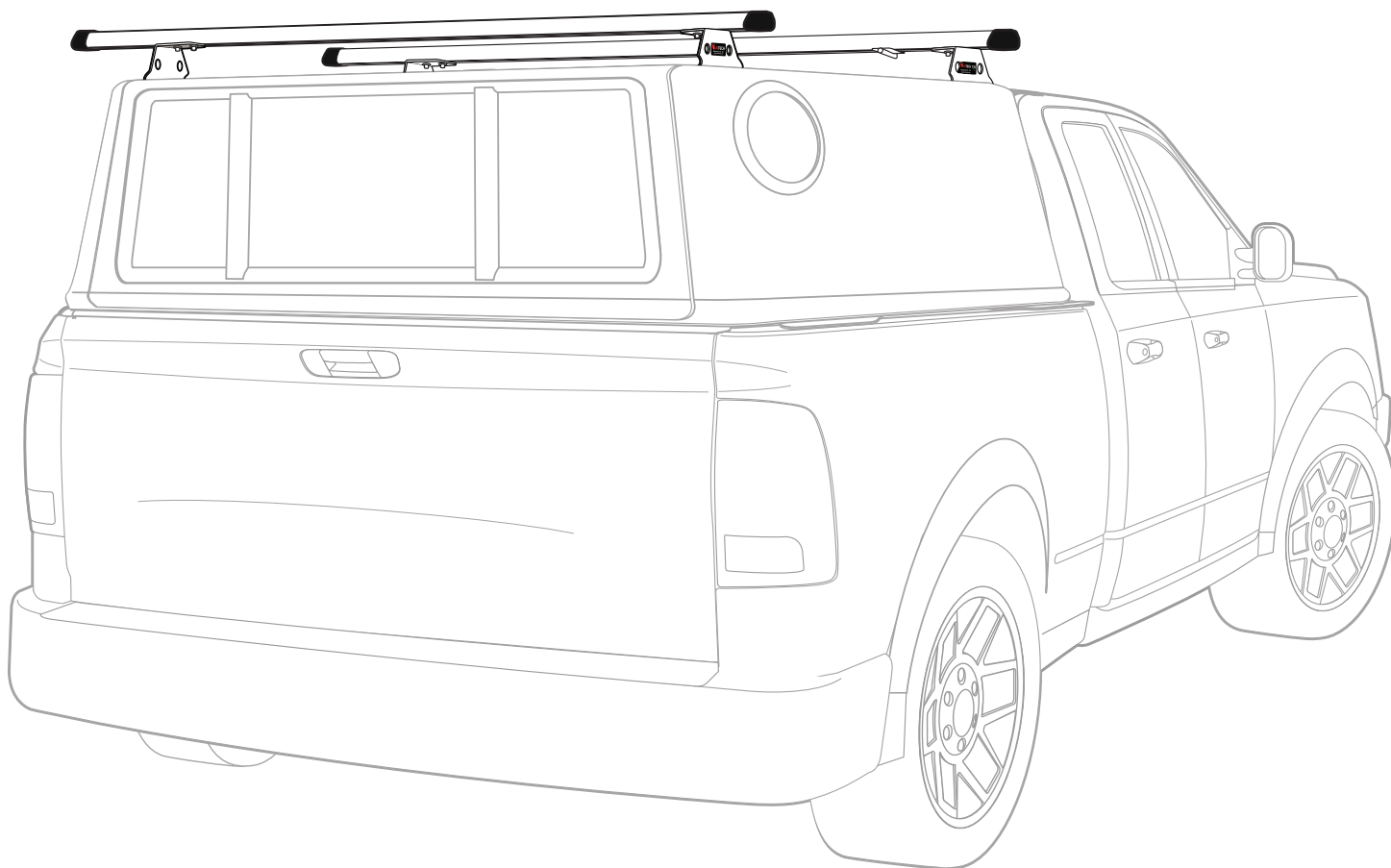


Warehouse Use Only

Part #	QUANTITY
D069	1
D115	1
G004	4
M13B	4
A285-60B	2
BG560	2
Z285	4

Part #:	J1024B
Dimensions:	6" X 6" X 61" (Telescopic)
Weight:	???



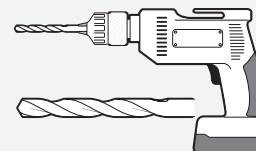


PRODUCT INFO

Part #: J1024B
System: J1000
Material: Aluminum
Fitment: Universal (Drilling Required)
Color: Black

REQUIRED TOOLS

Power Tool With 5/16" Drill Bit

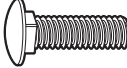


1/2" Wrench



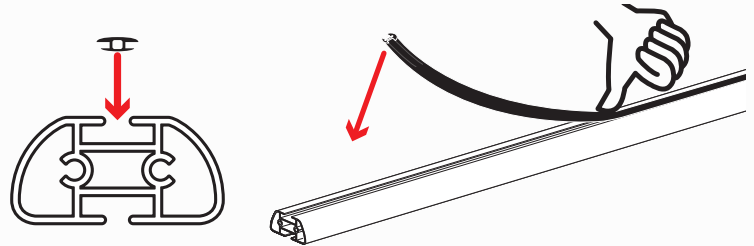
Marker



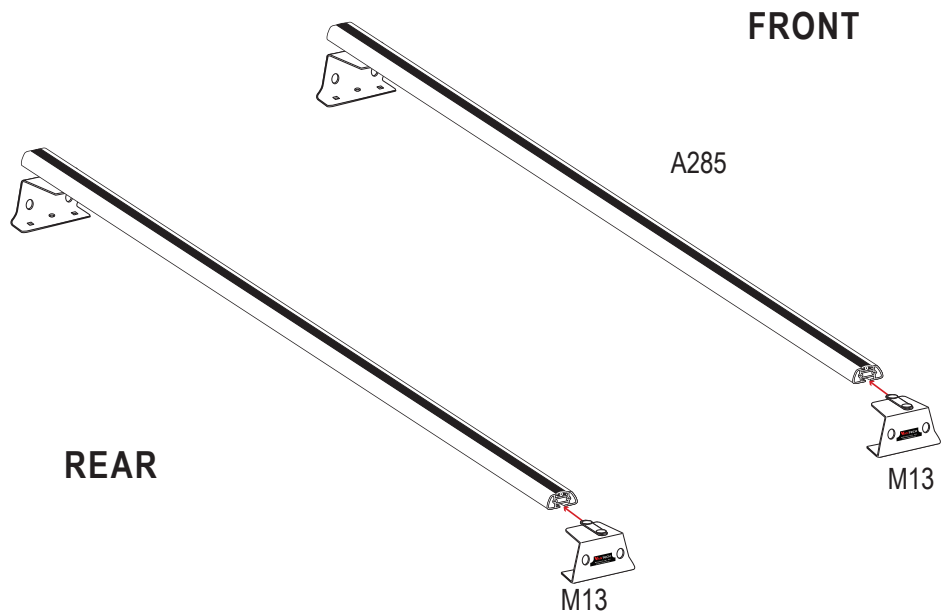
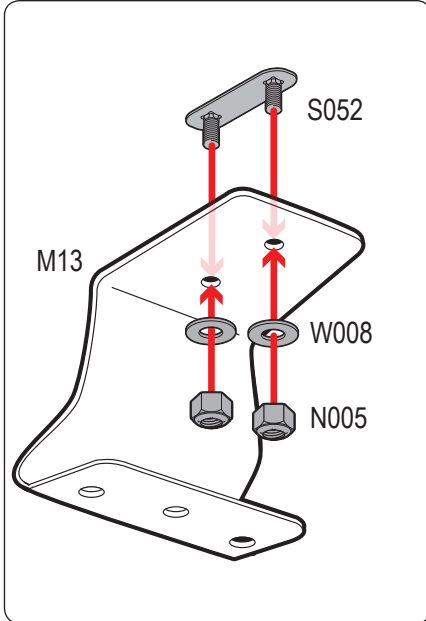
PART #	DESCRIPTION	QTY	ITEM ITEM NOT DRAWN TO SCALE
S052	DOUBLE SLIDER 2" BOLT TO BOLT	4	
W008	5/16" X 3/4" WASHER	16	
B016	5/16" X 1 1/4" CARRIAGE BOLT	8	
N005	5/16" NYLON NUT	16	
M13	MOUNTING BASE	4	
M07	INTERIOR PLATE	4	
A285-60	2.25" X 1" X 60" CROSS BAR	2	
G004	POLYFOAM GASKET 1.5" X 4"	4	
BG560	RUBBER BAR GUARD 60"	2	
Z285	ENDCAP	4	

RUBBER BAR GUARDS

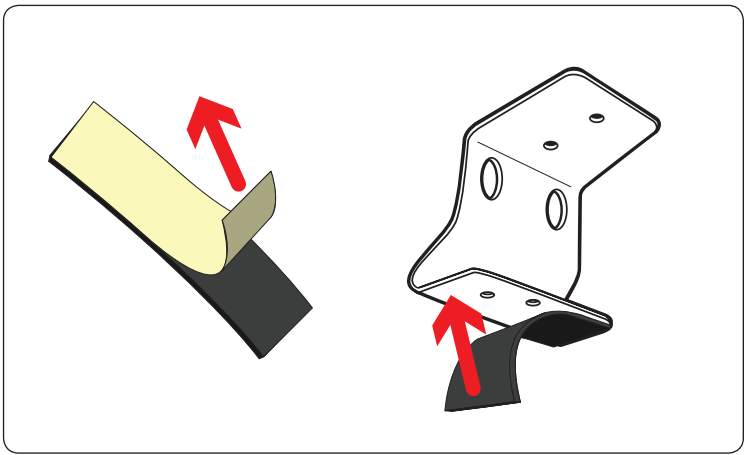
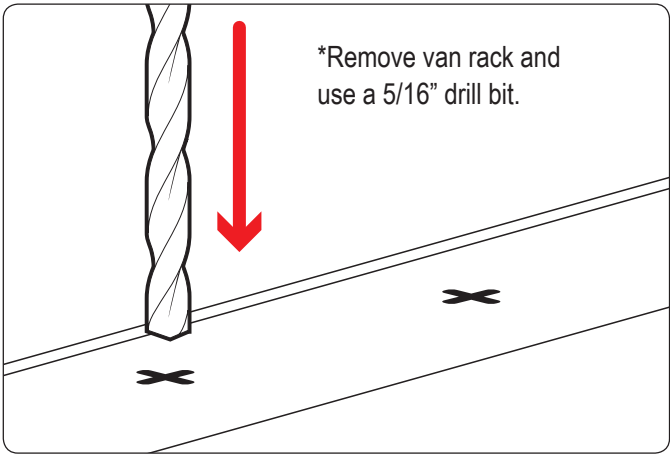
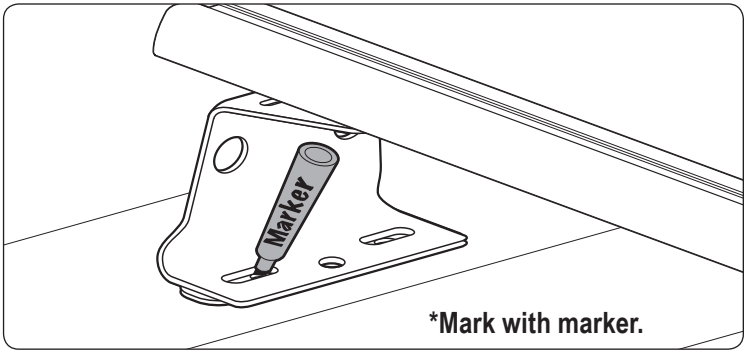
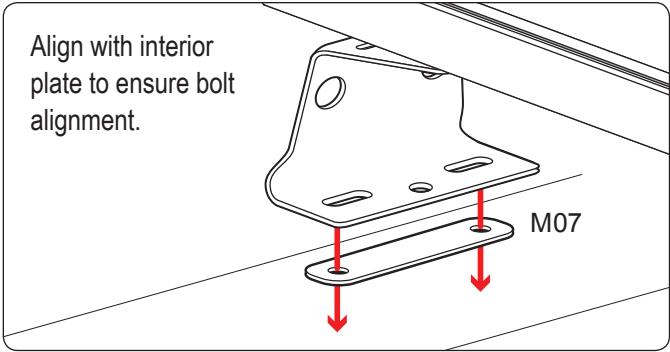
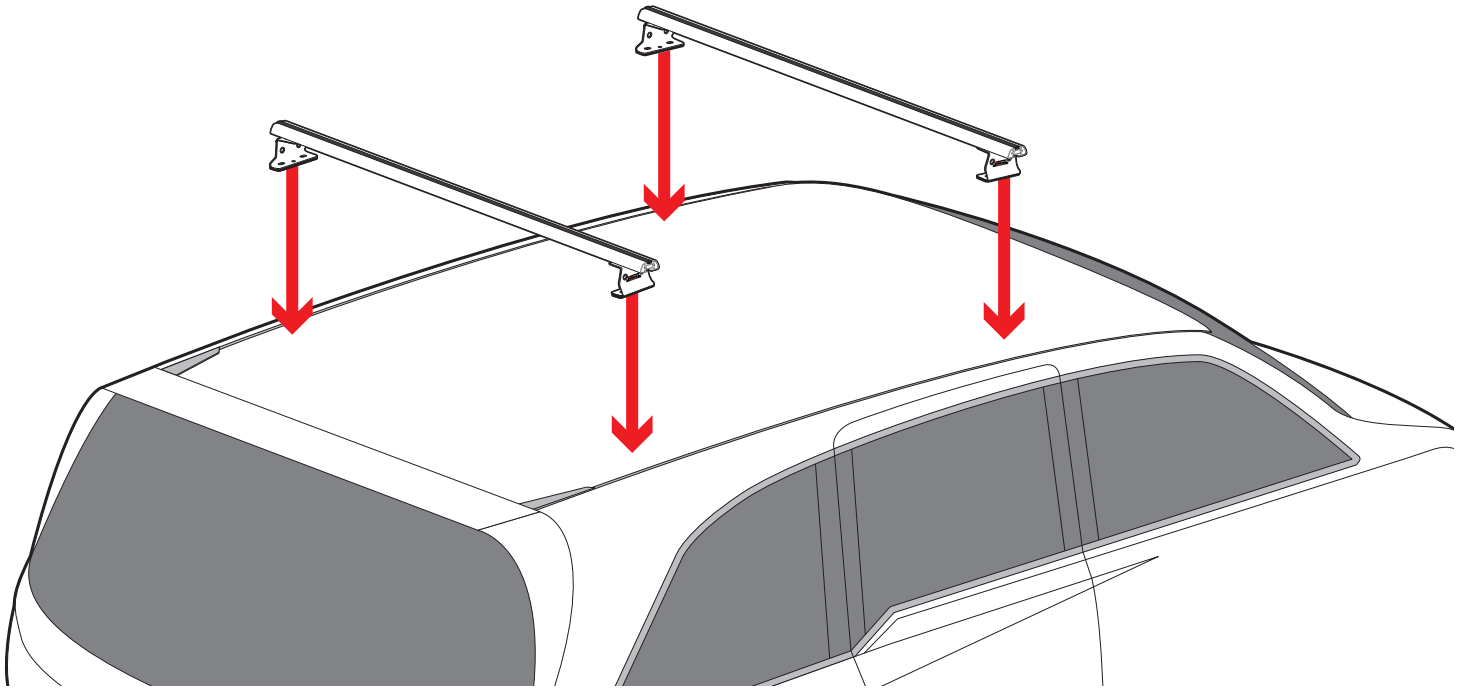
- Press the rubber bar guard into the channels of cross bars

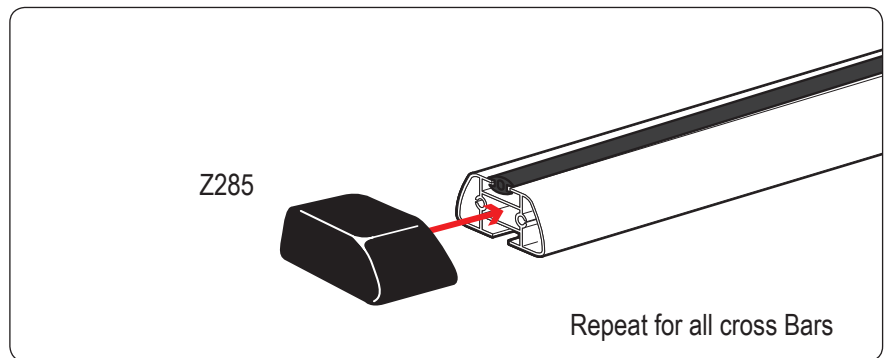
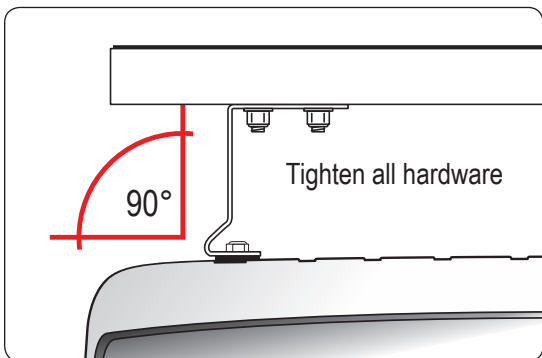
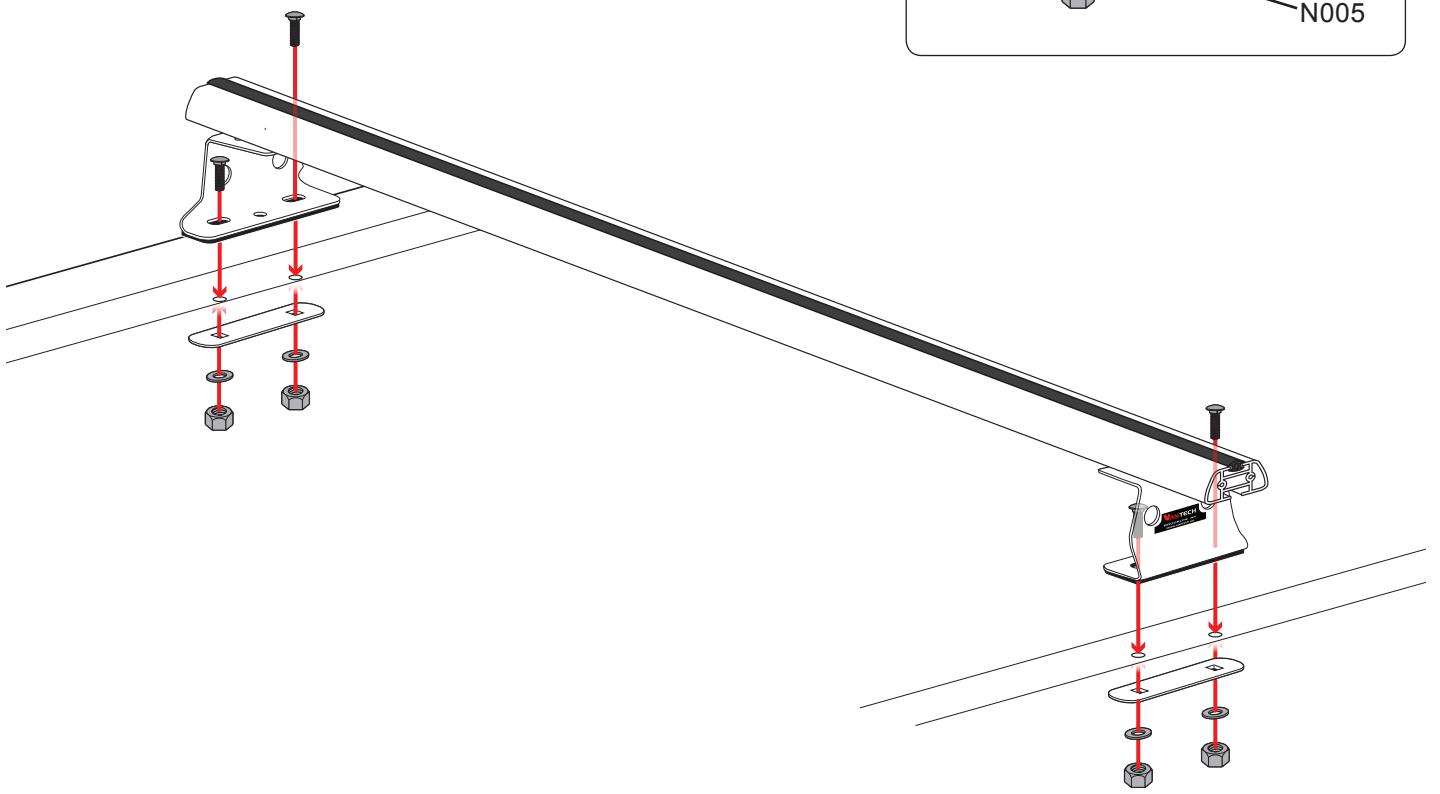


SYSTEM PLACEMENT MUST BE PLACED IN THIS ORDER



Do not tighten hardware





Feel the difference with Vantech.

Accept no compromises, choose only quality truck bed accessories.