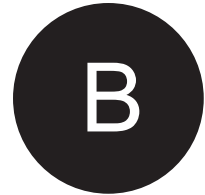


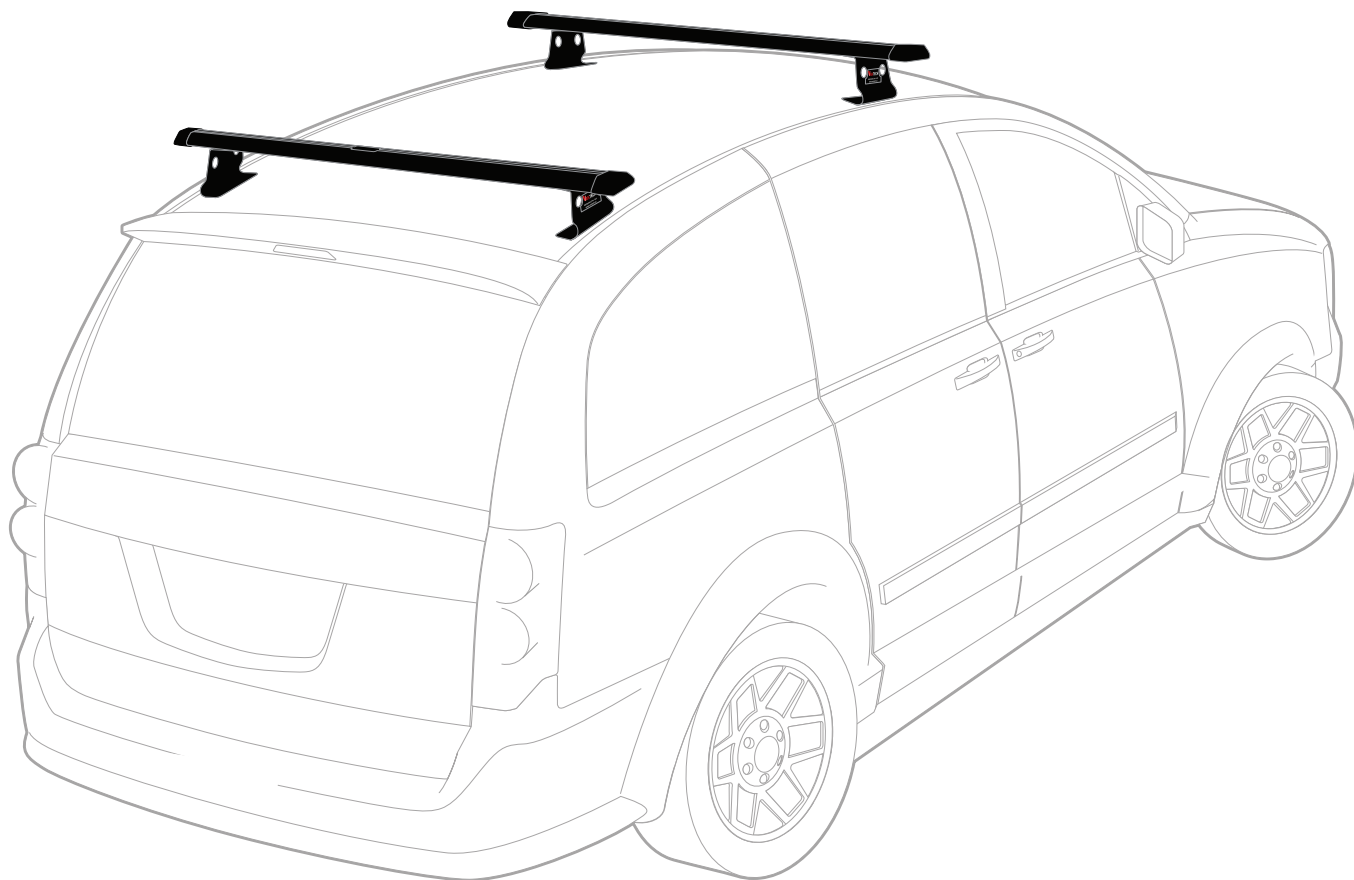
# Warehouse Use Only

---

Part #	QUANTITY
D069	1
D115	1
G004	4
M13B	4
A285-60B	2
BG560	2
Z285	4

Part #:	J1005B
Dimensions:	6" X 6" X 61" (Telescopic)
Weight:	???





## PRODUCT INFO

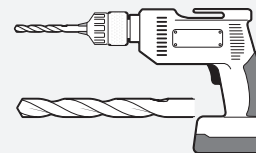
---

Part #: J1005B  
System: J1000  
Material: Aluminum  
Fitment: Universal (Drilling Required)  
Color: Black

## REQUIRED TOOLS

---

Power Tool With 5/16" Drill Bit

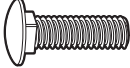

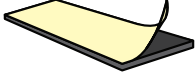


1/2" Wrench



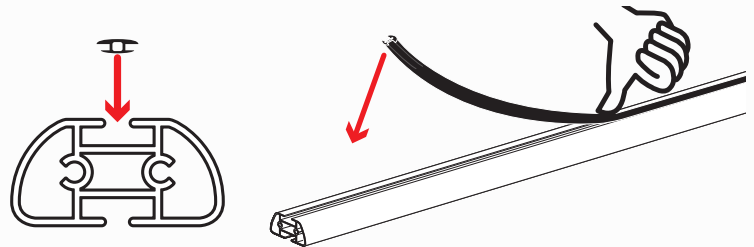
Marker



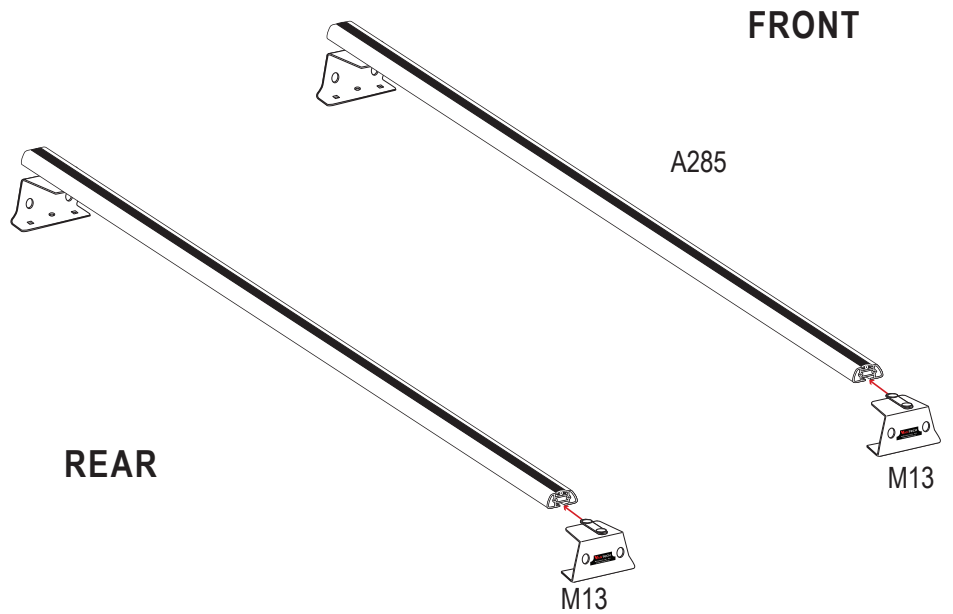
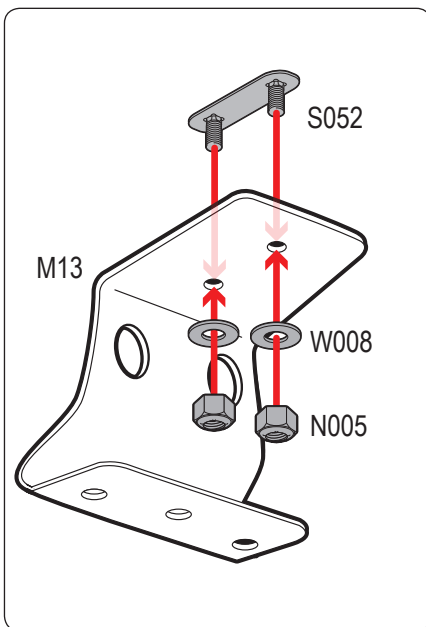
PART #	DESCRIPTION	QTY	ITEM ITEM NOT DRAWN TO SCALE
S052	DOUBLE SLIDER 2" BOLT TO BOLT	4	
W008	5/16" X 3/4" WASHER	16	
B016	5/16" X 1 1/4" CARRIAGE BOLT	8	
N005	5/16" NYLON NUT	16	
M13	MOUNTING BASE	4	
M07	INTERIOR PLATE	4	
A285-60	2.25" X 1" X 60" CROSS BAR	2	
G004	POLYFOAM GASKET 1.5" X 4"	4	
BG560	RUBBER BAR GUARD 60"	2	
Z285	ENDCAP	4	

## RUBBER BAR GUARDS

- Press the rubber bar guard into the channels of cross bars



## SYSTEM PLACEMENT MUST BE PLACED IN THIS ORDER



Do not tighten hardware

