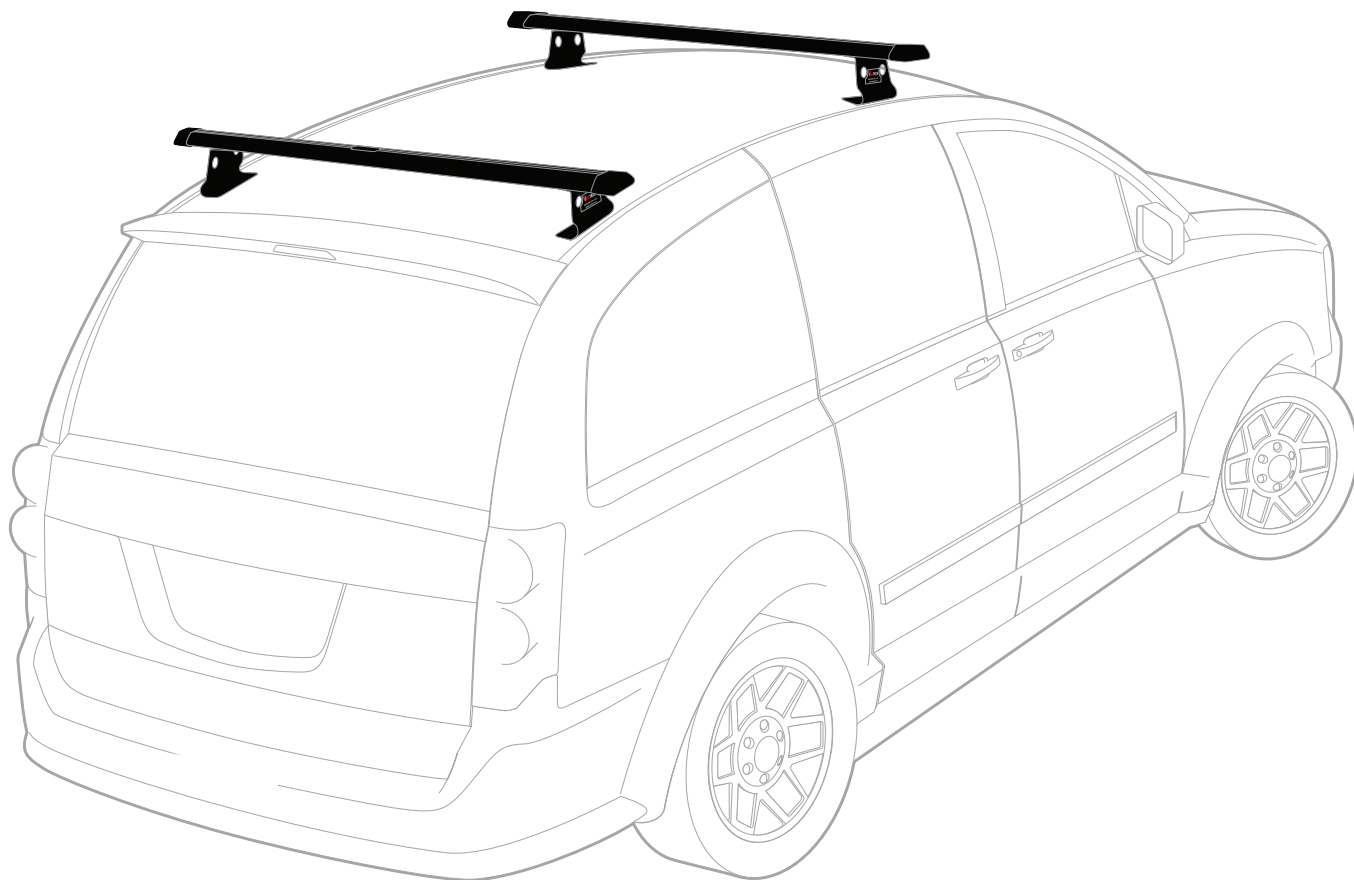


Warehouse Use Only

Part #	QUANTITY
D069	1
D115	1
G004	4
M13B	4
A285-50B	2
BG550	2
Z285	4

Part #:	J1000B
Dimensions:	6" X 6" X 51" (Telescopic)
Weight:	???



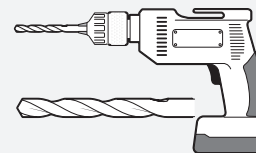


PRODUCT INFO

Part #: J1000B
System: J1000
Material: Aluminum
Fitment: Universal (Drilling Required)
Color: Black

REQUIRED TOOLS

Power Tool With 5/16" Drill Bit



1/2" Wrench



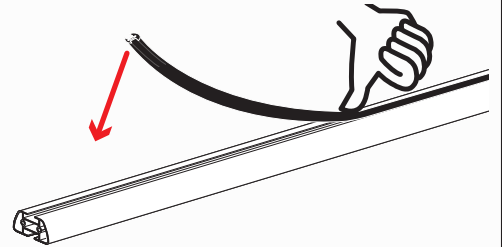
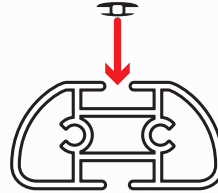
Marker



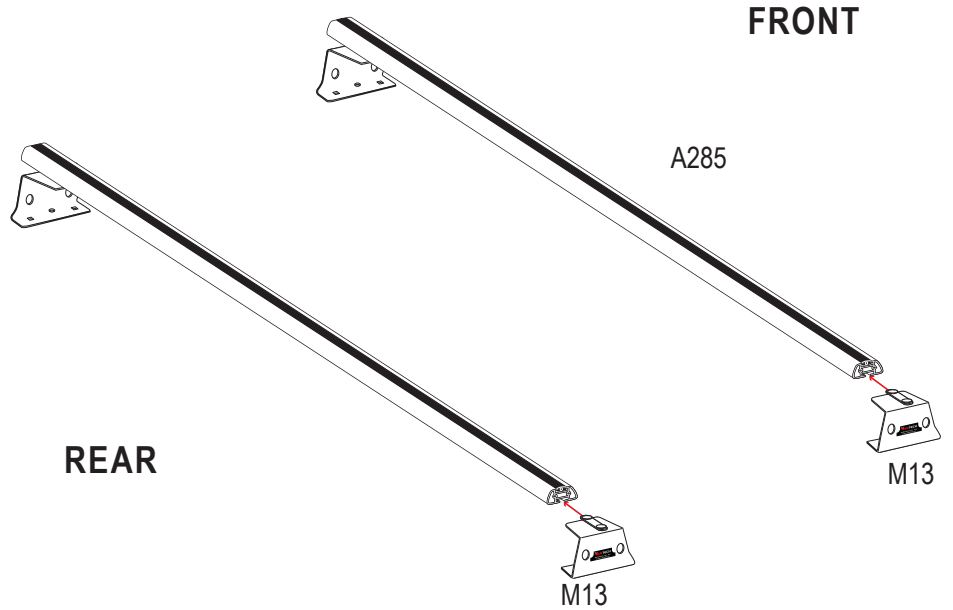
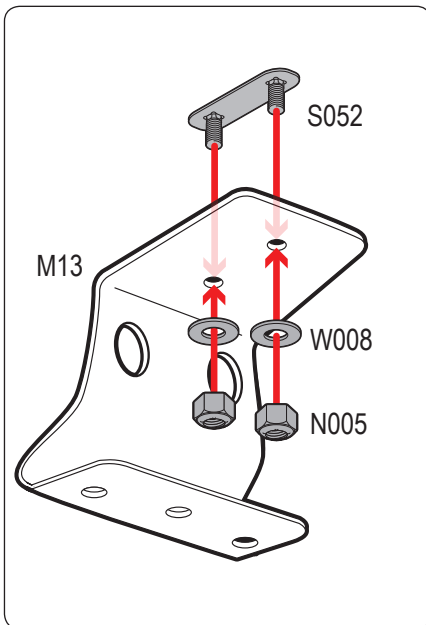
PART #	DESCRIPTION	QTY	ITEM ITEM NOT DRAWN TO SCALE
S052	DOUBLE SLIDER 2" BOLT TO BOLT	4	
W008	5/16" X 3/4" WASHER	16	
B016	5/16" X 1 1/4" CARRIAGE BOLT	8	
N005	5/16" NYLON NUT	16	
M13	MOUNTING BASE	4	
M07	INTERIOR PLATE	4	
A285-50	2.25" X 1" X 50" CROSS BAR	2	
G004	POLYFOAM GASKET 1.5" X 4"	4	
BG550	RUBBER BAR GUARD 50"	2	
Z285	ENDCAP	4	

RUBBER BAR GUARDS

- Press the rubber bar guard into the channels of cross bars



SYSTEM PLACEMENT MUST BE PLACED IN THIS ORDER



Do not tighten hardware

