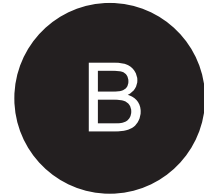
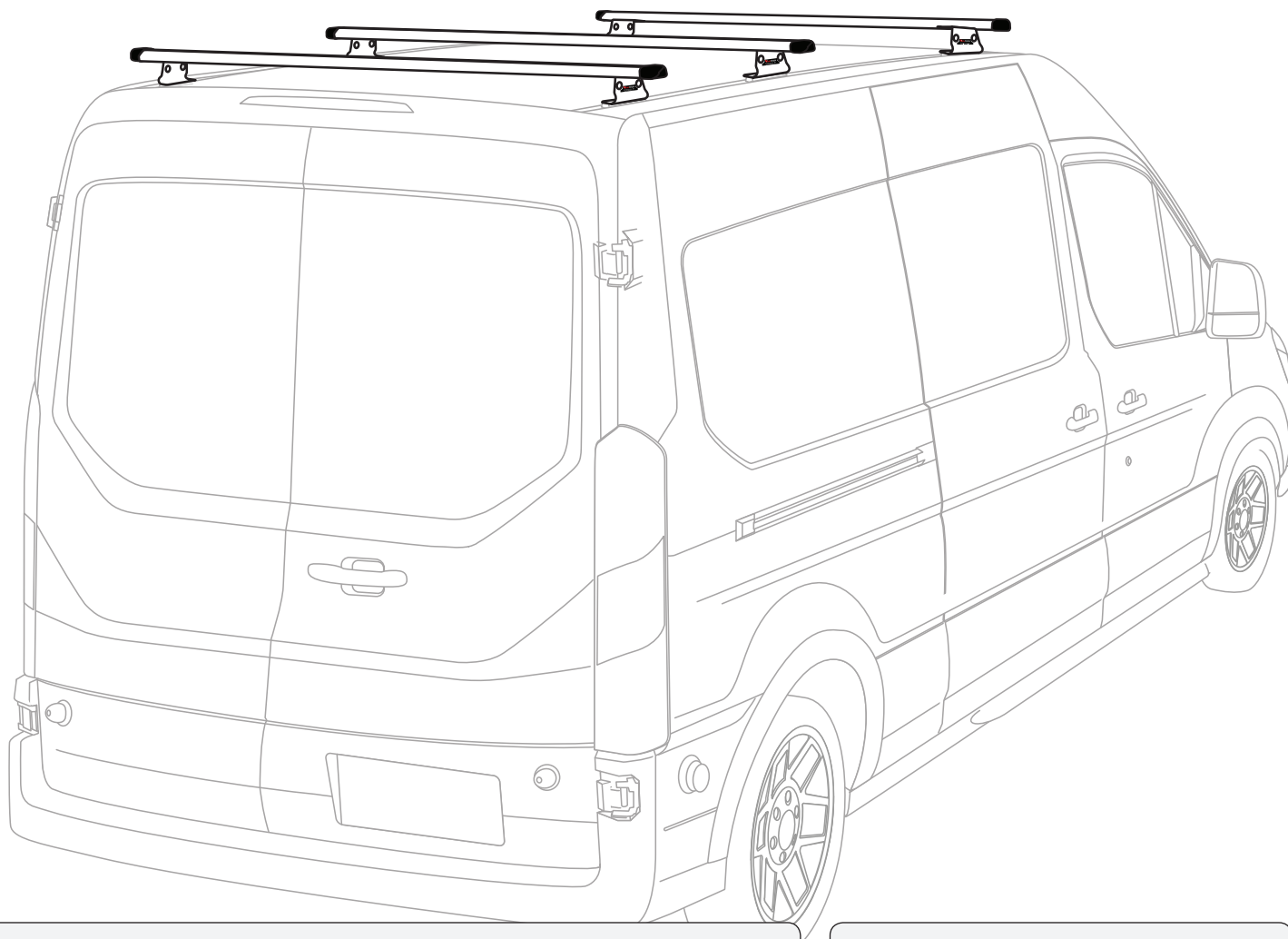


Warehouse Use Only

Part #	QUANTITY
D056	1
D116	1
G206	6
M08B	6
A286-65B	3
BG565	3
Z286	6

Part #:	H3703B
Dimensions:	6" X 6" X 66" (Telescopic)
Weight:	???



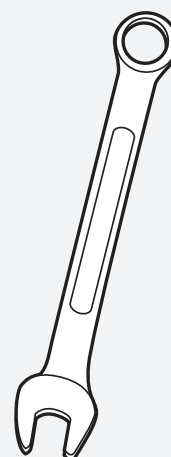


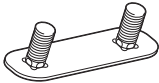


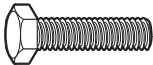





FOR WAREHOUSE USE

Part #: H3703B
System: H3 Series
Material: Aluminum
Fitment: Ford Transit Cargo Van 2015-On
Color: Black

REQUIRED TOOLS

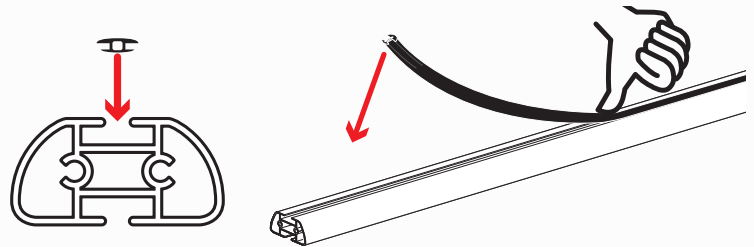
1/2" Wrench



PART #	DESCRIPTION	QTY	ITEM ITEM NOT DRAWN TO SCALE
S052	DOUBLE SLIDER 2" BOLT TO BOLT	6	
W008	5/16" X 3/4" WASHER	18	
W022	5/16" LOCK WASHER	6	
B246	M8-35 HEX BOLT	6	
N005	5/16" NYLON NUT	12	
G206	RUBBER SEAT 6"	6	
M08	MOUNTING BASE	6	
A286-65	3" X 1.5" X 65" CROSS BAR	3	
BG565	RUBBER BAR GUARD 65"	3	
Z286	ENDCAP	6	

RUBBER BAR GUARDS

- Press the rubber bar guard into the channels of cross bars



FRONT

A286

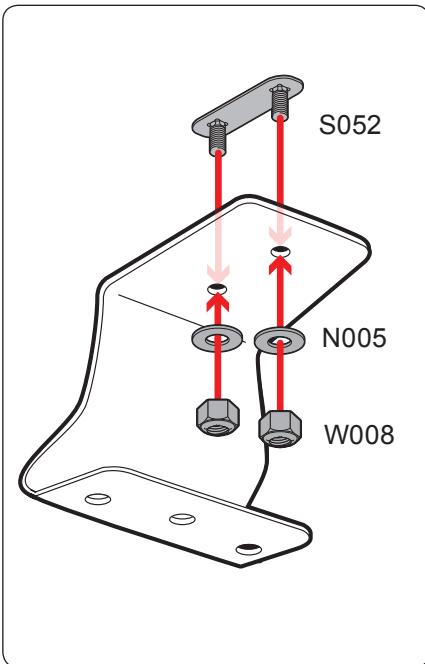
M08

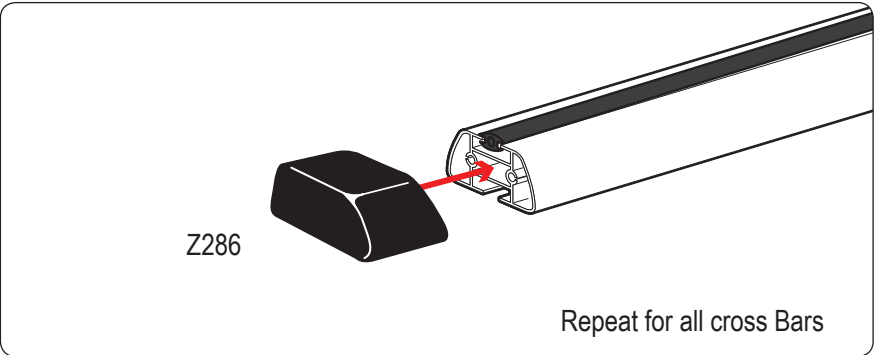
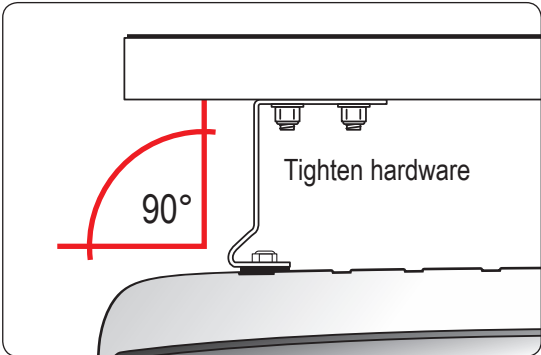
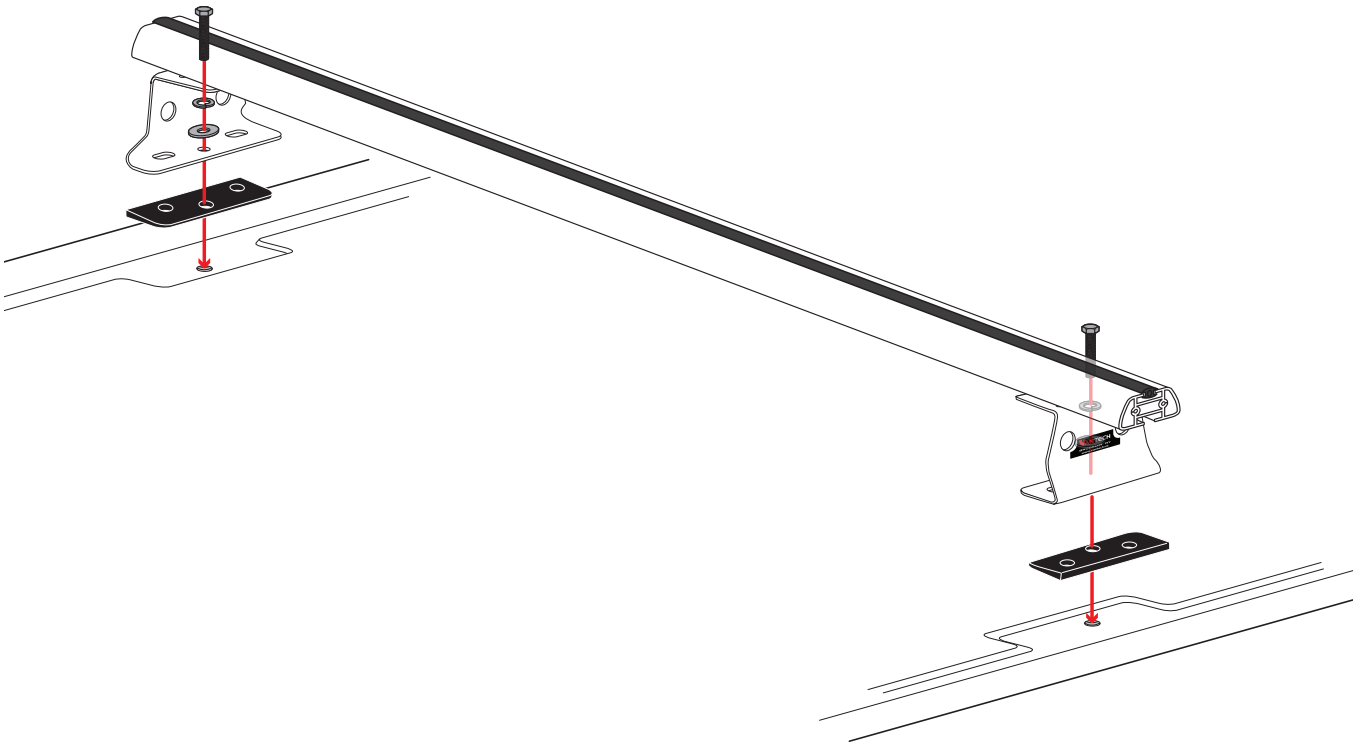
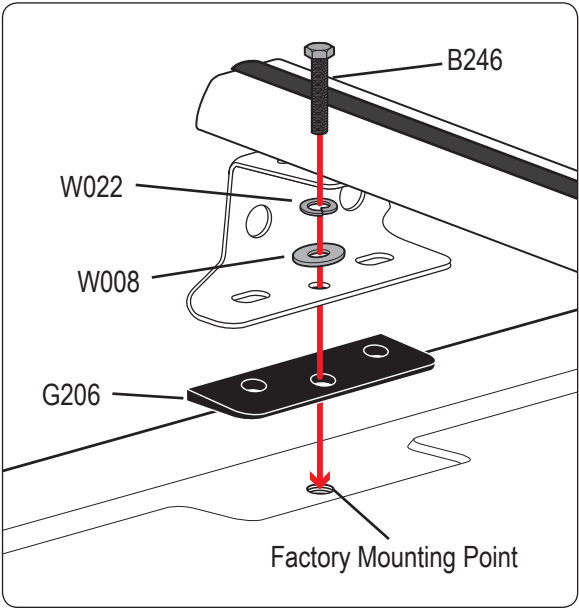
M08

REAR

M08

Do not tighten hardware





Vantech provides the best in truck and commercial van equipment.