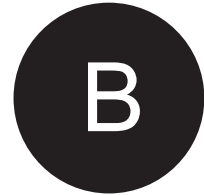
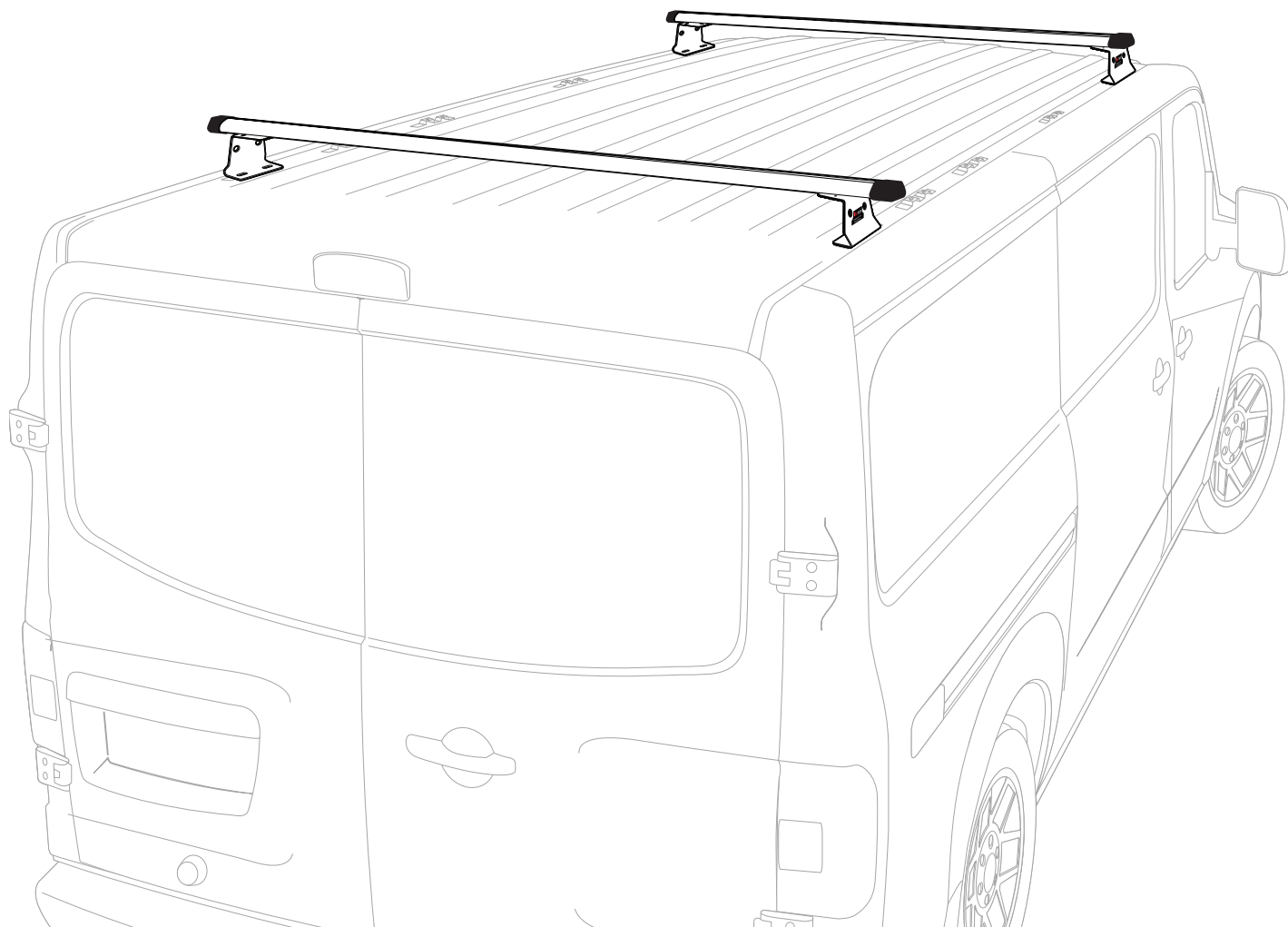


Warehouse Use Only

Part #	QUANTITY
D057	1
D115	1
M08B	4
A286-65B	2
BG565	2
Z286	4

Part #:	H3325B
Dimensions:	6" X 6" X 66" (Telescopic)
Weight:	???



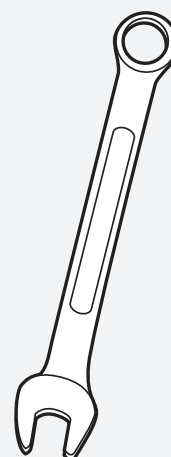





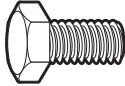



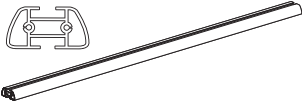


FOR WAREHOUSE USE

Part #: H3325B
System: H3 Series
Material: Aluminum
Fitment: Nissan NV Cargo 2013-On
Color: Black

REQUIRED TOOLS

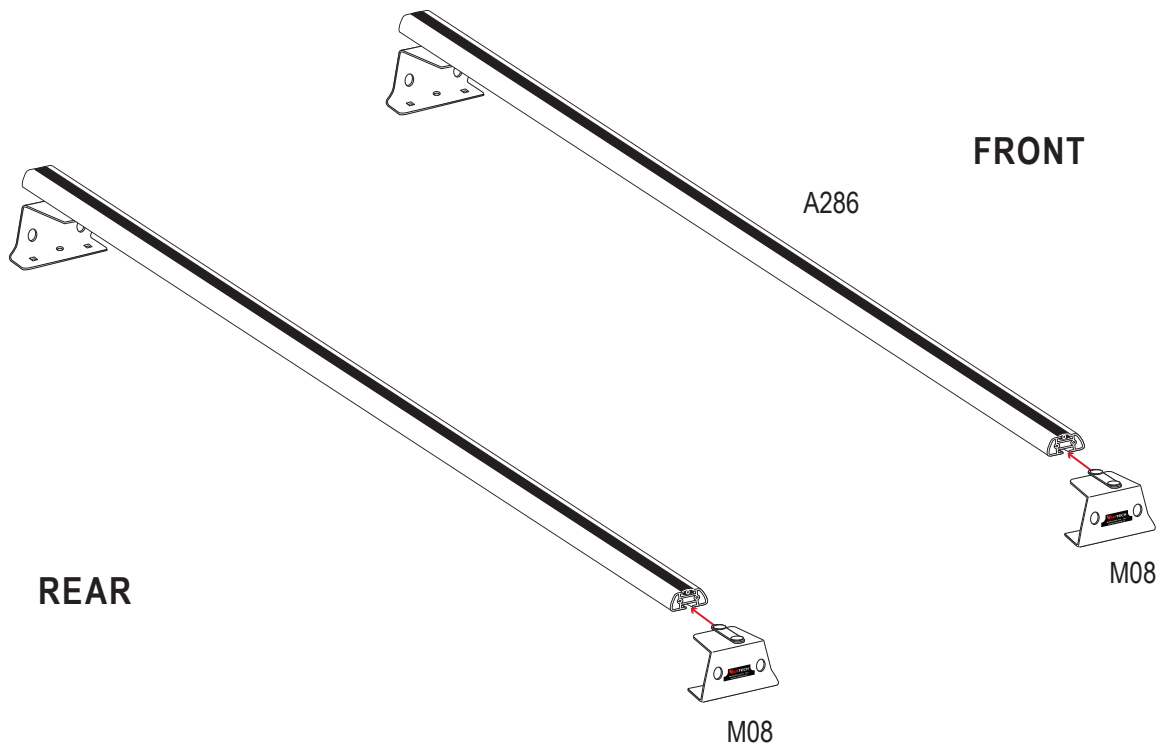
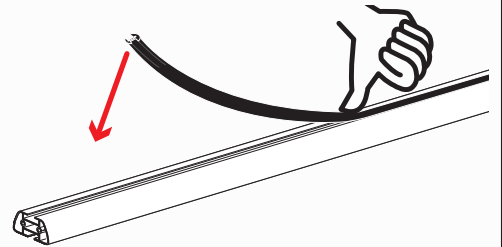
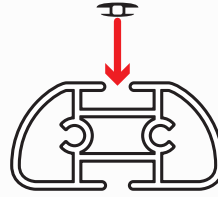
1/2" Wrench



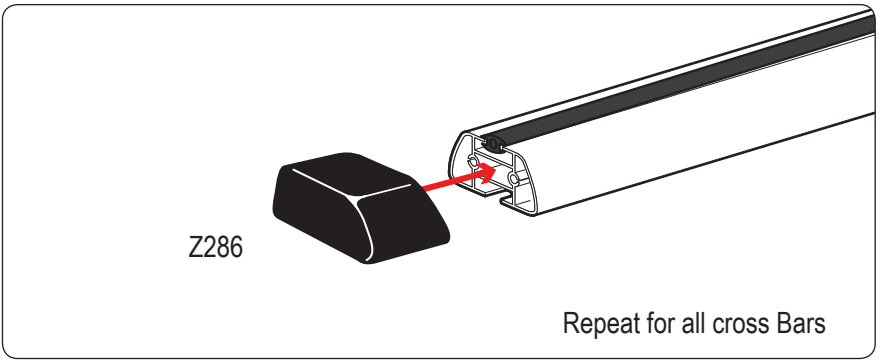
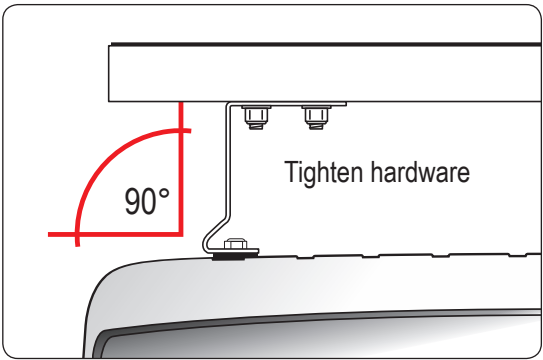
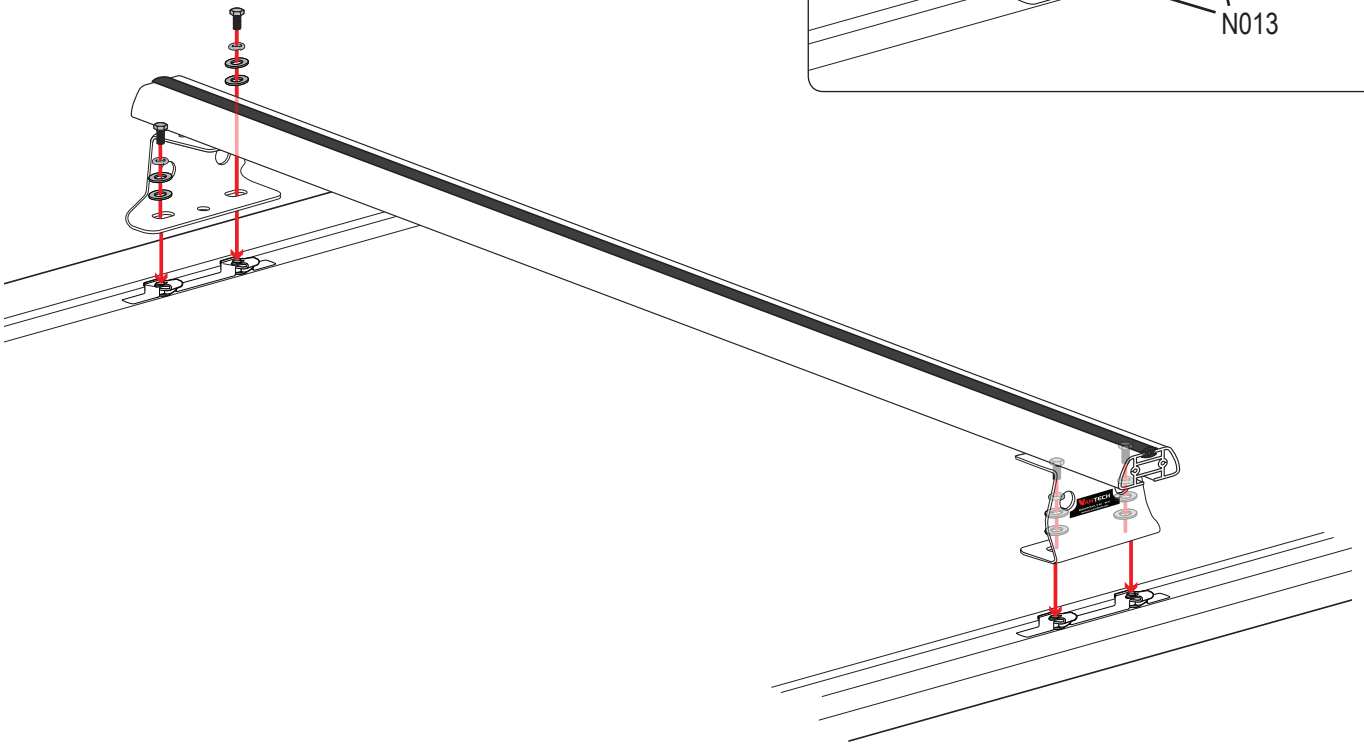
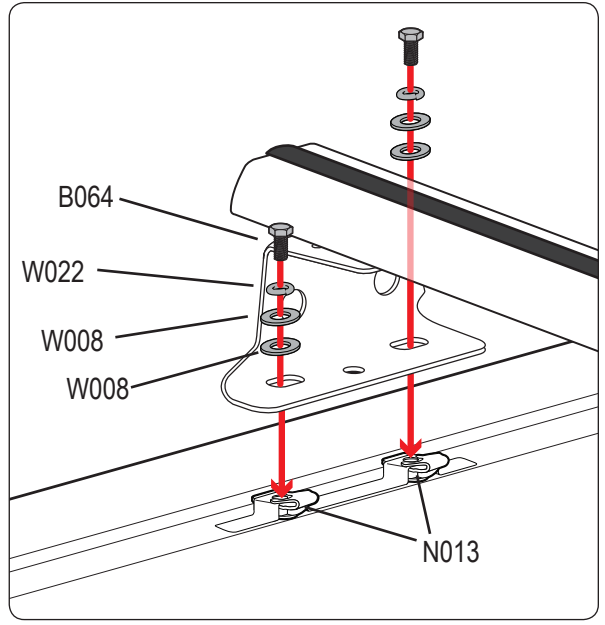
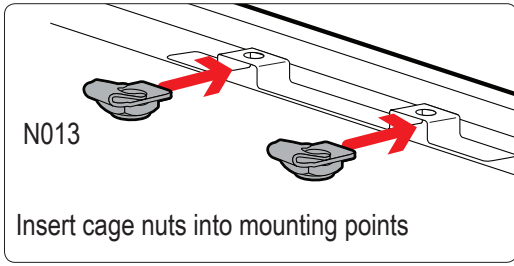
PART #	DESCRIPTION	QTY	ITEM ITEM NOT DRAWN TO SCALE
S052	DOUBLE SLIDER 2" BOLT TO BOLT	4	
W008	5/16" X 3/4" WASHER	24	
W022	5/16" LOCK WASHER	8	
B064	5/16" X 3/4" HEX BOLT	8	
N005	5/16" NYLON NUT	8	
N013	5/16" CAGE NUT	8	
M08	MOUNTING BASE	4	
A286-65	3" X 1.5" X 65" CROSS BAR	2	
BG565	RUBBER BAR GUARD 65"	2	
Z286	ENDCAP	4	

RUBBER BAR GUARDS

- Press the rubber bar guard into the channels of cross bars



Do not tighten hardware



Vantech provides the best in truck and commercial van equipment.